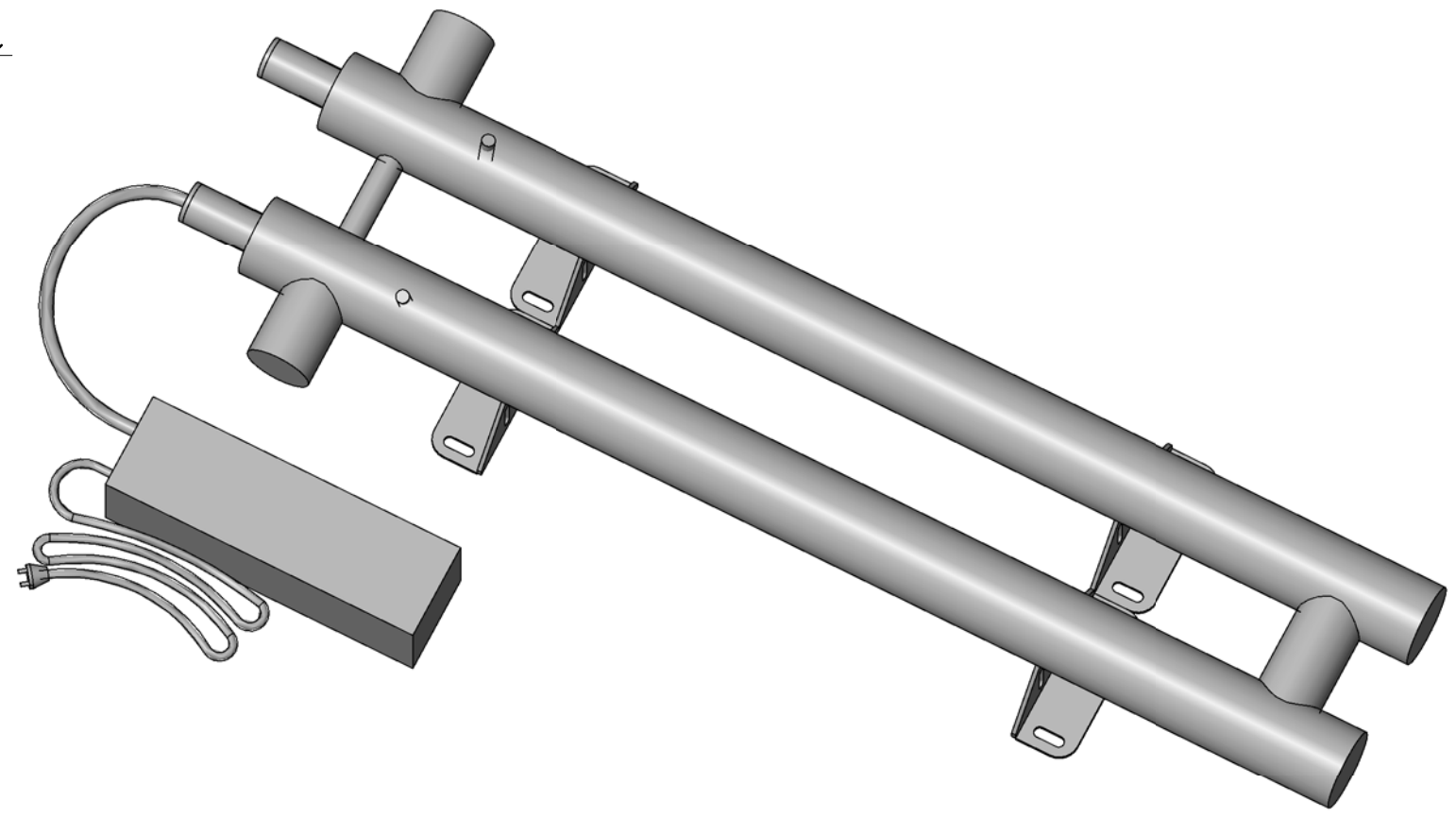
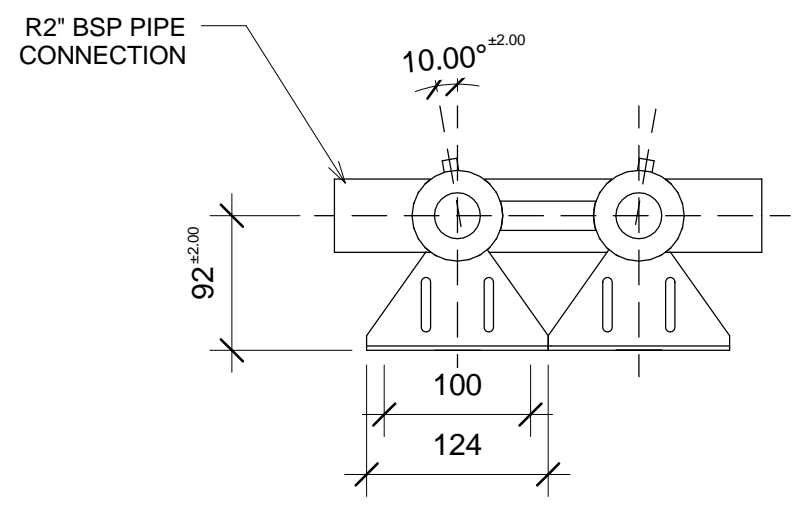
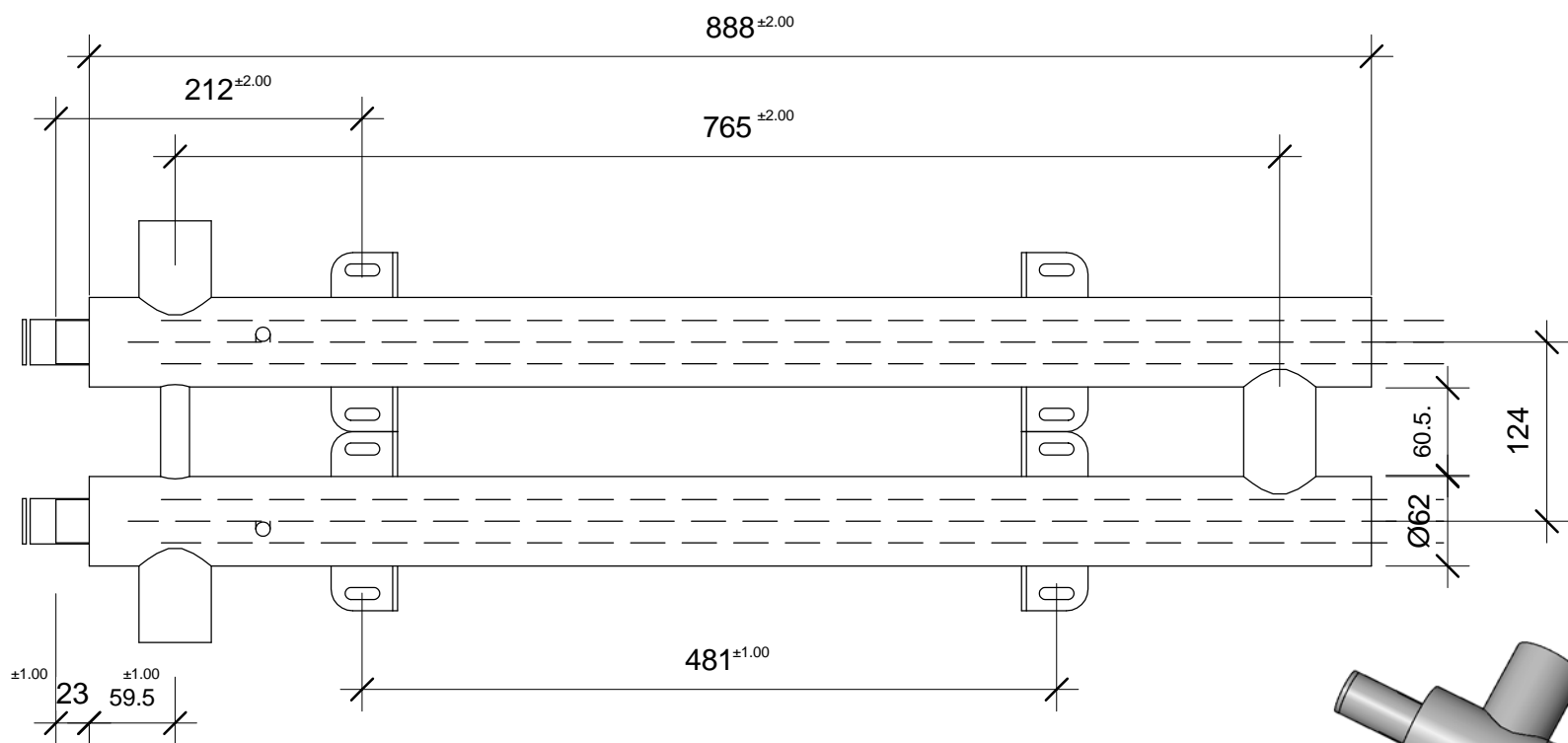


DRAWING CHANGES					
REV	ECN NO	DESCRIPTION	BY	CKD	DATE



DDUV117 - UV steriliser notes

- Max flow rate - 117 l/min
- Power supply - AC 240 V 50 Hz
- Max operating pressure - 1000 kPa
- Inlet - R2" (50mm)
- Outlet - R2" (50mm)

MATERIAL		DRAWN	DAP	Rinnai Australia Pty Ltd	
TOLERANCE - UNLESS STATED		DATE	17/07/12		
0.±1.0	0.00 ±0.1	CHECKED	SVL	DDUV117 - UV STERILISER	
0.0 ±0.5	Angular ±1	APPROVED			
FINISH:		DO NOT SCALE DRAWING		Weight	Drawing Number(PART NO)
					RA-17-07-12-002
					Revision