

### GENERAL INFORMATION

This Sideways Flue Diverter kit fits the following Rinnai Continuous Flow External Water Heater models:

KIT SFD-01		KIT SFD-02	KIT SFD-03
REU-A2626WB	REU-AM2626WDL	REU-A1620WB	REU-A2024WB
REU-A2626WS	REU-VR2626WGP	REU-A1620WBS	REU-VRM2024WG
REU-AM1220WD	REU-VRM2626WG/D	REU-VRM1620WG	REU-VR2024WB
REU-AM1620WD	REU-VR2626WB	REU-VR1620WB	
REU-AM2024WD	REU-VR2426WS	REU-VR1620WS	
REU-AM2626WD			

These kits are NOT compatible with any other Rinnai or other manufacturers' appliance. For information regarding the compatibility of Sideways Flue Diverter kits with superseded continuous flow water heater models, contact Rinnai.

Rinnai Sideways Flue Diverter kits are certified by the Australian Gas Association (AGA) as components of the water heater appliances with which they are compatible. For the certification number see the data plate on the appliance.



Installation of heater and flue system shall be in accordance with:

- Manufacturers Installation Instructions.
- Current AS/NZS 5601 Gas Installations.
- Local Regulations and Municipal Building Codes.

Installation, service and removal only by an Authorised Person only.

Continuous flow water heater to be installed in accordance with the 'Operation / Installation Manual' supplied with the appliance.

### APPLICATIONS

Rinnai Sideways Flue Diverter kits are intended for fitting to Rinnai continuous flow water heaters installed on balconies, patios or similarly enclosed areas to facilitate free discharge of combustion products out of the enclosed area.

This may not occur if the appliance is installed without the sideways flue diverter kit.

Rinnai external continuous flow water heaters mounted against a wall without the sideways flue diverter kit, will expel flue products in a horizontal direction outwards and away from the wall against which the appliance is mounted.

Fitment of the sideways flue diverter kit results in the flue products being expelled from the appliance in a sideways direction, along the wall as shown in Figure 1. SFD-01, SFD-02 and SFD-03 differ only by the size of the opening to suit the flue outlet of the appliance.

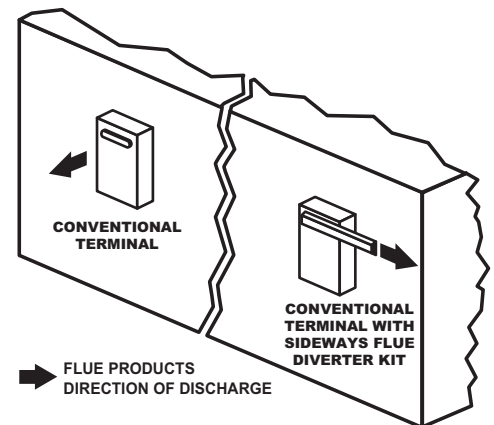


Figure 1 - Flue Discharge

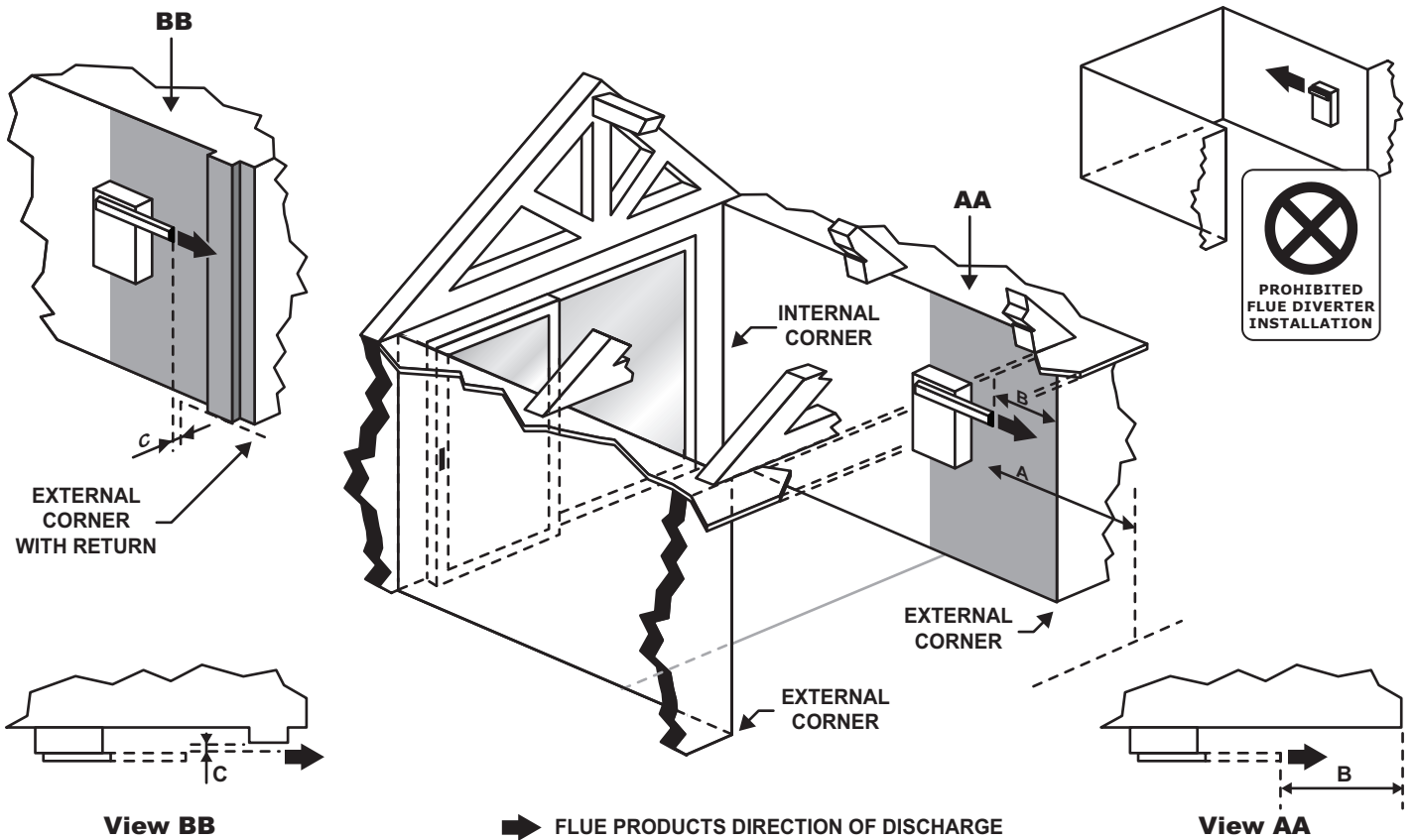
### INSTALLATION METHOD

Figure 2 (on page 2) shows the location conditions and clearances which apply when Rinnai continuous flow water heaters are fitted with the sideways flue diverter kit and installed on balconies, patios or similarly enclosed areas. Other relevant clearances in Figure 6.2 of AS/NZS 5601 continue to apply when the sideways flue diverter kit is fitted.



- Fitment of the Rinnai Sideways Flue Diverter kit is suitable ONLY when all flue products result in being expelled freely into an above ground open-air situation with natural ventilation, without stagnant areas where products of combustion are rapidly dispersed by wind and natural convection.
- The Rinnai Sideways Flue Diverter kits are compatible for installation with Rinnai metallic Recess box RBOX04/RBOX04L only. They must not be used with any other Rinnai recess boxes, including the plastic Smartbox model.
- Rinnai Sideways Flue Diverter kits are suitable for single water heater applications only. They are NOT suitable for multiple installations of Rinnai continuous flow water heaters on one balcony, patio or similarly enclosed space.
- The Rinnai Sideways Flue Diverter kits are certified for use only with the Rinnai continuous flow water heater models listed in this Instruction. They are NOT compatible with any other Rinnai or other manufacturers' appliances.

## LOCAL CONDITIONS AND CLEARANCES



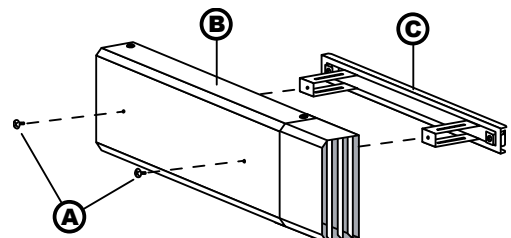
Ref.	ITEM	Clearances (mm)
A	Minimum horizontal clearance between the flue diverter and any obstructions in the direction of discharge.	500
B	<b>Maximum</b> horizontal distance between the open flue end of the diverter and the external corner of the mounting wall, in the direction of discharge. (See Note 1).	<b>MAXIMUM</b> 500
C	Clearance from a return on the external corner of the mounting wall.	20
<b>Note: 1.</b> If the horizontal distance between the flue diverter and the external corner of the mounting wall in the direction of discharge <b>exceeds</b> the maximum distance of 500mm, flue products may not be adequately dispersed from the enclosed area.		
<b>IMPORTANT:</b>		<b>Exclusion Zone</b>
1	Gas meters, electricity meters, fuse boxes, drain pipes, soil pipes, flue terminals, combustion air intakes, openable windows, non mechanical air inlets or any other openings with the exception of sub floor ventilation on the side of the appliance along the mounting wall in the direction of discharge from the flue diverter are <b>not permitted</b> in the area encompassed by the exclusion zone.	■
2	The Rinnai sideways flue diverter is suitable for single water heater applications only. The sideways flue diverter is not suitable for multiple installations of Rinnai continuous flow water heaters on one balcony, patio or similarly enclosed area.	
3	Other relevant clearances in AS/NZS 5601 Figure 6.2 continue to apply.	

**Figure 2 - Location Conditions and Clearances**

## DIVERTER ASSEMBLY AND INSTALLATION

### ① Preparation

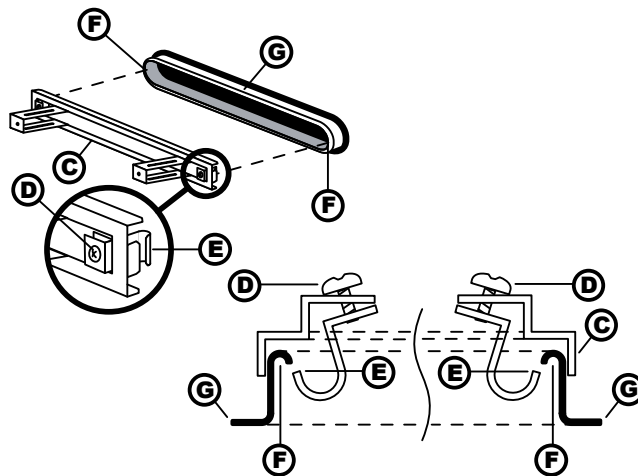
1. Unpack the flue diverter assembly from it's packaging.
2. Remove the two retaining screws (A) from the front of the box panel (B).
3. Separate the mounting bracket (C) from the rear of the box panel (B).



**ii Fitting Mounting Bracket To The Appliance**

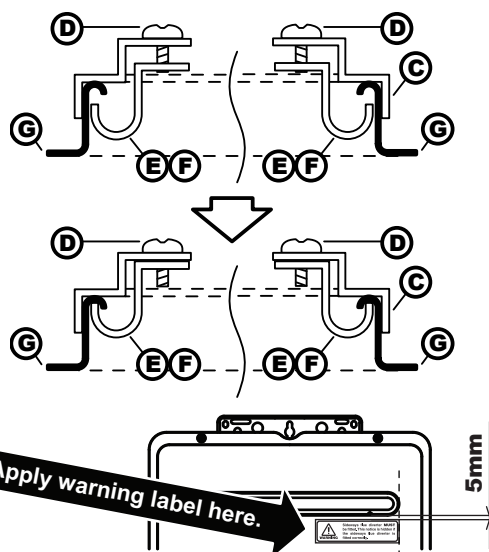
- Loosen the 2 adjustment screws (D) located on both ends of mounting bracket (C).

This allows cup hooks (E) of the mounting bracket (C) to be positioned inside the lip (F) of the appliance flue terminal (G).



**iii Securing Mounting Bracket To The Appliance**

- Align the cup hooks (E) with the lip (F) so that when the 2 adjustment screws (D) are re-tightened both will engage.
- Re-tighten the 2 adjustment screws (D) until the cup hooks (E) and the lip (F) are firmly engaged and secured.
- Apply the warning label to water heater, aligning the label to the right edge and 5mm below the flue spigot as shown.

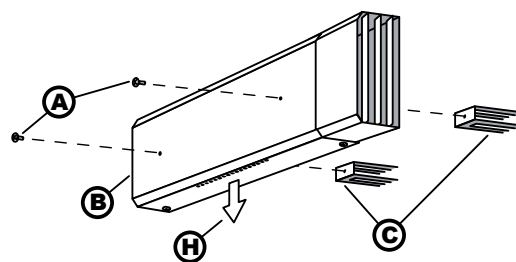


**NOTE**  
The warning label becomes hidden once the sideways flue diverter is fitted to the appliance.  
This warning label reminds a service person to replace the sideways flue diverter after servicing activities.

**iv Attaching The Box Panel**

- Re-attach the box panel (B) to the mounting bracket (C) with the retaining screws (A) removed in step 2.

Ensure that the drainage holes (H) are pointing downwards. See step (v) for details of left or right handed flue product discharge.

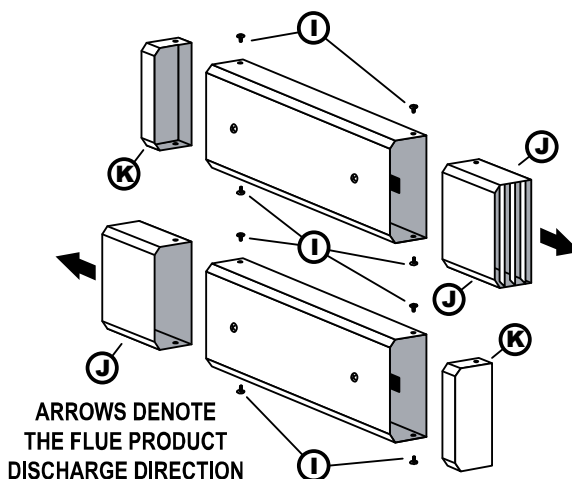


**v Left Or Right Handed Installations**

- The sideways diverter can be installed for left or right handed flue product discharge.

To set the direction of discharge remove the four retaining screws (I) from the top and bottom of the box panel (B).

- Remove both the terminal (J) and the blanking plate (K) from each and reverse their positions to suit discharge requirements.
- Re-secure the terminal (J) and the blanking plate (K) in the new position with the four retaining screws (I) removed in step 1.



## SIDEWAYS FLUE DIVERTER EXTENSION (SFDE)

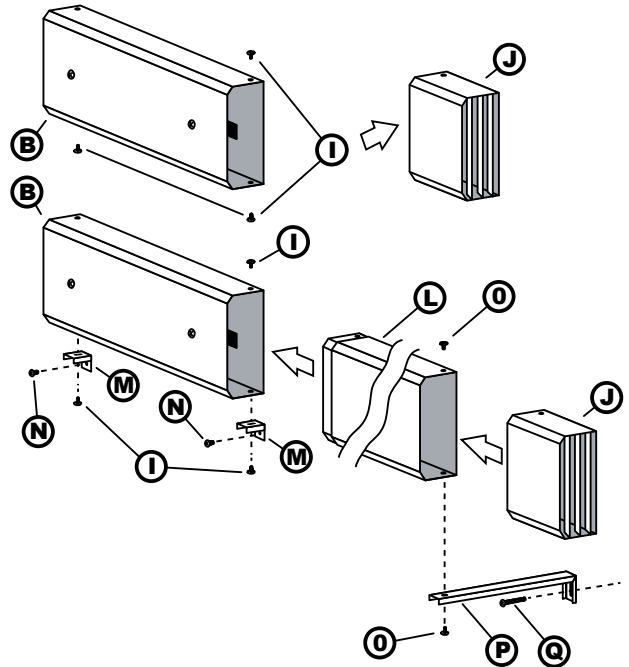
Ordered separately, SFDE is an optional flue extension, that extends the terminal of the sideways flue diverter by an additional 450mm.



Only **ONE** extension piece is approved for fitment to any **ONE** sideways flue diverter installation. The fitment of multiple extension pieces, connection of multiple appliances or the modification of any component is **NOT** permitted and may void the Rinnai appliance warranty conditions.

### Ⓥ SFDE Installation

- To install the extension remove three of the retaining screws ① as shown from box panel ② and remove the terminal ③.
- Insert the narrow end of the extension piece ④ into the box panel ② and secure in place with upper retaining screw ① removed in step 1.
- Install the right angle supports ⑤ to the bottom of the box panel ② using the two lower retaining screws ① removed in step 1.
- Secure right angle supports to the cover of the water heater with self tapping screws ⑥, a 2mm pilot hole may be drilled to assist (**CAUTION: Drill depth MUST NOT exceed 5mm**).
- Re-secure the terminal ③ to the end of the extension piece ④ with the top retaining screw ⑦.
- Loosely install the wall support bracket ⑧ to the lower end of the extension piece ④ with the lower retaining screw ⑦.
- Confirm that the wall support bracket ⑧ is positioned to provide direct support to the extension and is level, then secure the support bracket to the wall using appropriate installer supplied fixing(s) ⑨.
- Tighten the lower retaining screw ⑦ to complete installation.



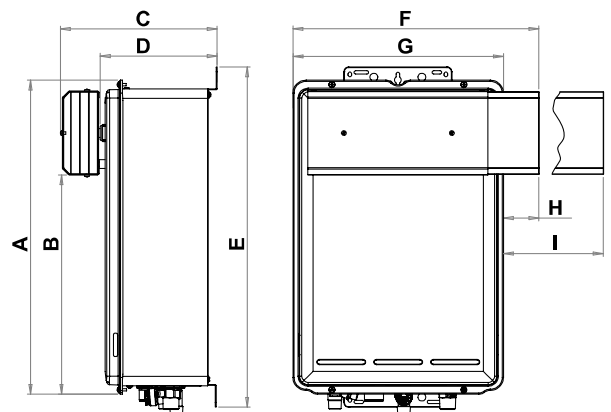
A right hand installation of the extension is shown. Mirror these instructions for left hand installations.

### SFD / SFDE INSTALLATION KEY DIMENSIONS



A right hand installation of both SFD / SFDE are shown. Mirror the horizontal dimensions for left hand installations. All dimension are in mm.

	A Series	AM Series	VR Series
A	531	503	530
B	387	371	370
C	271	279	270
D	195	203	194
E	571	571	571
F	370	411	410
G	351	356	350
H	19	55	60
I	469	505	510



**Rinnai Australia Pty. Ltd.** ABN 74 005 138 769

#### Head Office

100 Atlantic Drive  
 Keysborough VIC 3173  
 P.O. Box 460  
 Braeside, Victoria 3195  
 Tel: (03) 9271 6625  
 Fax: (03) 9271 6622

Internet: [www.rinnai.com.au](http://www.rinnai.com.au) E-mail: [enquiry@rinnai.com.au](mailto:enquiry@rinnai.com.au)

#### National Help Line

Tel: 1300 555 545\*  
 Fax: 1300 555 655\*

\*Cost of a local call, higher from mobile or public phones.

Please note that the contact details listed are for installations in Australia only. For all enquiries outside of Australia please contact your local Rinnai supplier or service agent.