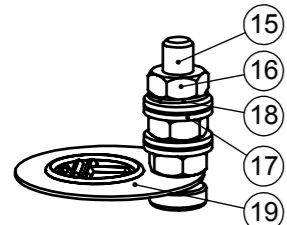
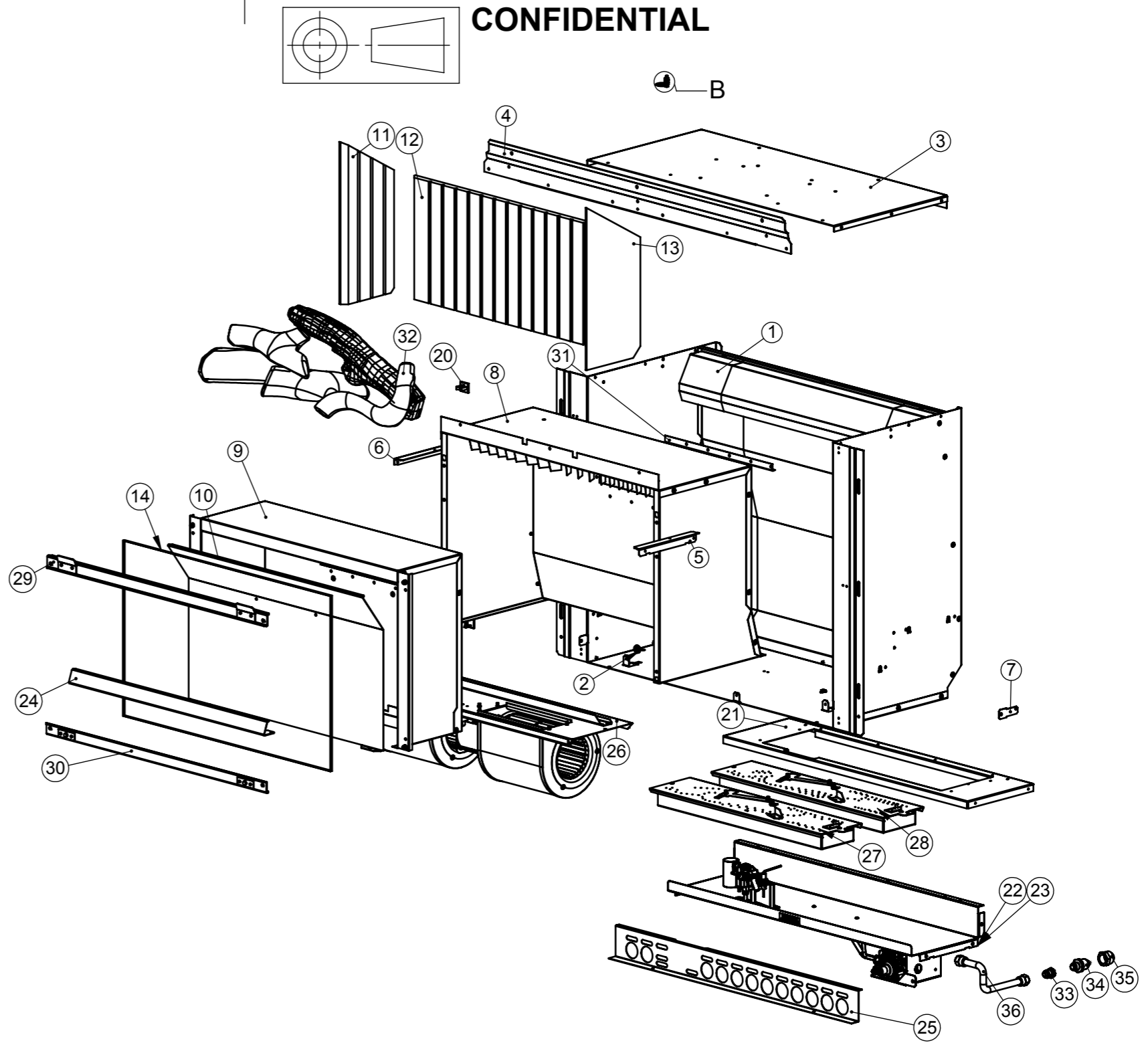


1	2	3	4	5	6	7	8
ITEM NO.	PART NUMBER	DESCRIPTION	QTY.	NOTE			
1	13120B	BODY OUTER ASSEMBLY RIB2312 PAINT	1				
2	7132	RUBBER GROMMET P/CORD IMG030	1				
3	11854	PANEL TOP	1				
4	11855B	TOP PANEL TRIM PAINTED	1				
5	11860	FAN MOUNT BRACKET RH	1				
6	11859	FAN MOUNT BRACKET LH	1				
7	11865	SURROUND RETAINING BRACKET	2				
8	12162F	OUTR AIRGD SPARE RIB2312 AU	1				
9	11870F	COMB ASSEMBLY C2	1				
10	12319F	HEAT SHIELD PAINTED	1				
11	12366	CERAMIC PANEL GROOVE LH RIB23	1				
12	12367	CERAMIC PANL GROOVE REAR RIB23	1				
13	12368	CERAMIC PANEL GROOVE RH RIB23	1				
14	11966	GLASS REPLACEMENT ASSY RIB23	1				
15	9073	SCREW M4 X 20 PAN PHIL ZINC	1				
16	9186	NUT M4 ZP	3				
17	9231	WASHER FLAT M4 ZP	4				
18	9233	WASHER SPRING M4 ZP	1				
19	11269	TAG EARTH SYMBOL	1				
20	10309	CABLE CLIP	3				
21	13131F	BURNER SURROUND PAINTED	1				
22	13119	GAS CONTROL ASSY RIB2312 PROPANE	1	See SHEET 3			
23	13122	GAS CONTROL ASSY RIB2312 NG	1	See SHEET 3			
24	13134F	PILOT SHIELD BLK RIB2312	1				
25	13132B	BURNER AIR INTAKE RIB2312 PAINTED	1				
26	11965	FAN REPLACEMENT ASSY RIB23	1				
27	11886F	BURNER ASSY BLACK NG	1				
28	11945F	BURNER ASSY BLACK LPG	1				
29	11962	GLASS RETAINER TOP ASSY RIB23	1				
30	11963	GLASS RETAINER BOTM ASSY RIB23	1				
31	12369	BRKT FLUE OUTLET GUIDE RIB23	1				
32	12370	LOGSET RIB23 V2.	1				
33	11948	BRASS PLUG 3/8" SAE FLARE	1				
34	11944	ADAPTOR 1/2 BSP 3/8 SAE FLARE	1				
35	5064	NUT 1/2 COMPRESSION	1				
36	7835	FLEXTUBE 3/8x8 CW 5/8-18 NUTS	1				



DETAIL B
SCALE 1 : 1

MINIMIZE ALL BURRS
IF IN DOUBT ASK

DIMENSIONS IN MILLIMETRES		MATERIAL:		THICKNESS: mm	
TOLERANCE UNLESS STATED		SHEET: A3 LANDSCAPE	SCALE 1:10	SHEET 1 OF 4	FIRST ISSUED: 12-04-18
DIM. ±0.5	DIA. ±0.1	FINISH:		DRN BY: JJ	CHKD. RD APPD. RD
ANGLES ±1°		DESCRIPTION:			ISSUE A
COPYRIGHT <small>ALL INFORMATION CONTAINED IN THIS DRAWING REMAINS THE PROPERTY OF RINNAI NZ. CHANGES, COPIES OR DISSEMINATION OF THIS DRAWING WITHOUT WRITTEN CONSENT IS PROHIBITED.</small>		RIB2312 SPARE PART 			DRG. NO.
					NEW ZEALAND Ltd.
<small>105 Pavilion Drive, Mangere, Auckland 2150 Ph: +64 (9) 257 3800</small>					

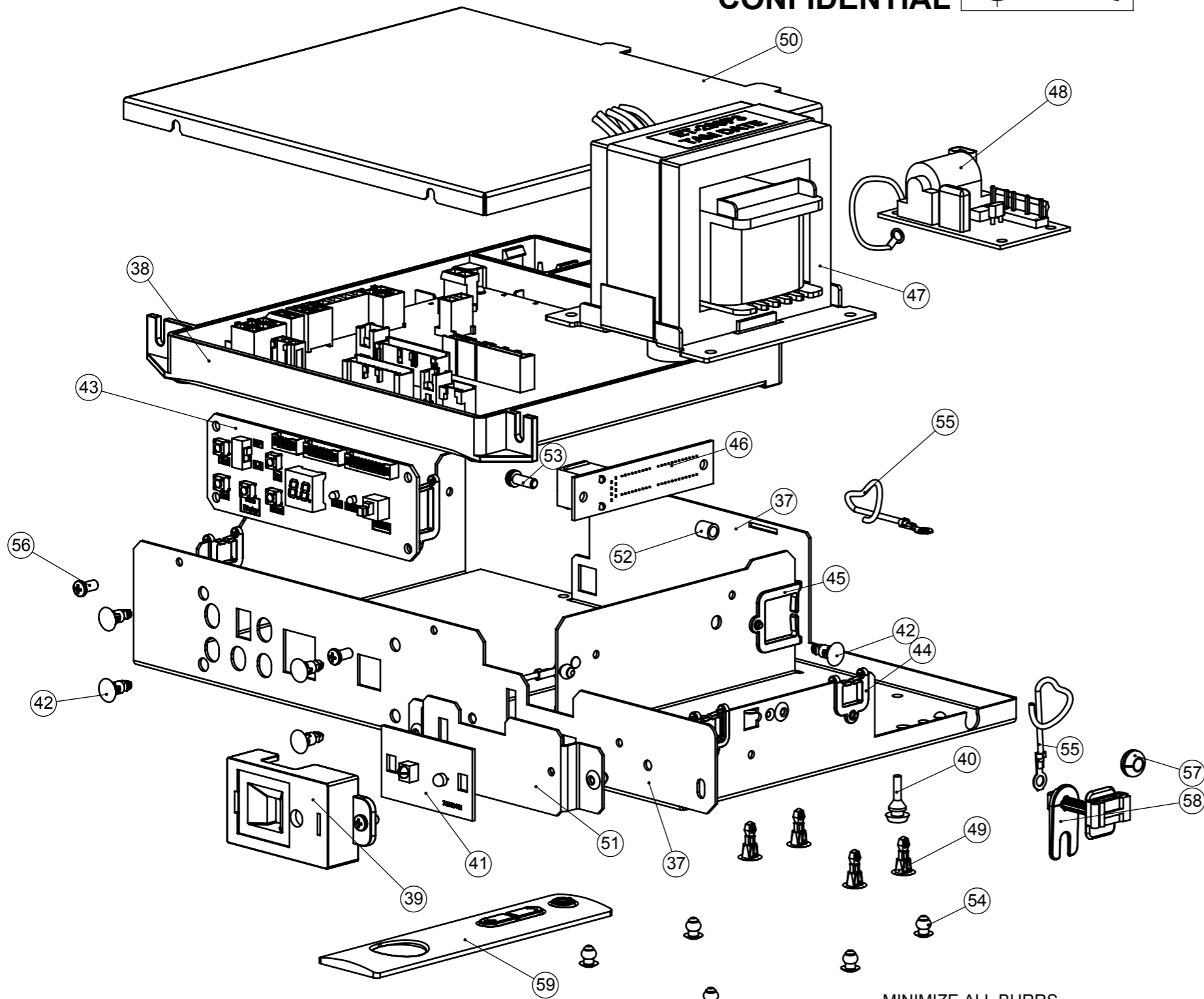
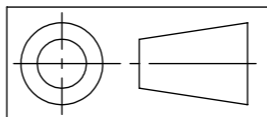
REVISIONS

DATE	ISSUE	ECN No.	DESCRIPTION
12-04-18	A		ISSUED FOR PRODUCTION

A
B
C
D
E
F

A
B
C
D
E
F

CONFIDENTIAL



ITEM NO.	PART NUMBER	DESCRIPTION	QTY.
37	12811	EL SLIDE BASE RDV36	1
38	12966	PCB MAIN R67 SPARE	1
39	10394	PCB CASE RECEIVER RHFE750ETR	1
40	11304	SELF FIX BUMBER 25-TNF 10/2	2
41	10393	PCB RECEIVER RHFE750ETR	1
42	10428	PCB SPACER 05-PCY06	5
43	10253	PCB DISPLAY RHFE750ETR	1
44	1880	PROTECTOR PLASTIC EDGE EHS11U	3
45	10471	PROTECTOR PLASTIC EDGE EHS18U	2
46	12494	INTERFACE BOARD R950	1
47	10258	TRANSFORMER RHFE750ETR	1
48	13006	IGNITER EI-2018	1
49	9004	PCB SPACER 05-PCY08B - BLACK	4
50	12929	PCB BOX LID RDV67	1
51	13124	MTG BRACKET RECEIVER RIB2312	1
52	13066	SPACER - M4 CLEARANCE - 7.0mm HIGH	1
53	9070	SCREW M4 X 12 MACH C/W WASHER	1
54	9315	RIVET POP PLAIN 73 AS 5.2	9
55	4417	WIRE TIE 80MM	3
56	9063	SCREW M4 X 8 PAN PHIL ZINC	3
57	6749	RUBBER GROMMET IMG010	1
58	7540	THERMISTOR HOLDER RC-312-628	1
59	13040	IR REMOTE CONTROL	1

Components not drawn		
10284	HARNES CONTROL PANEL	1
10387	WIRE EARTH COMB FAN	1
11925	CABLE CAT5 x 1.4M RIB23	1
12492	HARNES 12 WAY CTRL PANEL R9	1
12496	HARNES 9 WAY CTRL PANEL R95	1
12656	HARNES RECEIVER R1250	1
13004	FERRITE CLAMP GTFC-16-8-16	2
13008	HARNES FR RHFE950-602	1
13011	THERMAL FUSE RHF265-1014x01	1
13012	HARNES POV RHF950-612	1
13013	HARNES MV RELAY RHFE950-615	1
13014	HARNES TFMV RHFE950-607 1BN	1
13033	HARNES THERM UNI RHFE950-620	1
13042	POWER CORD UNI CONTROL BKL	1

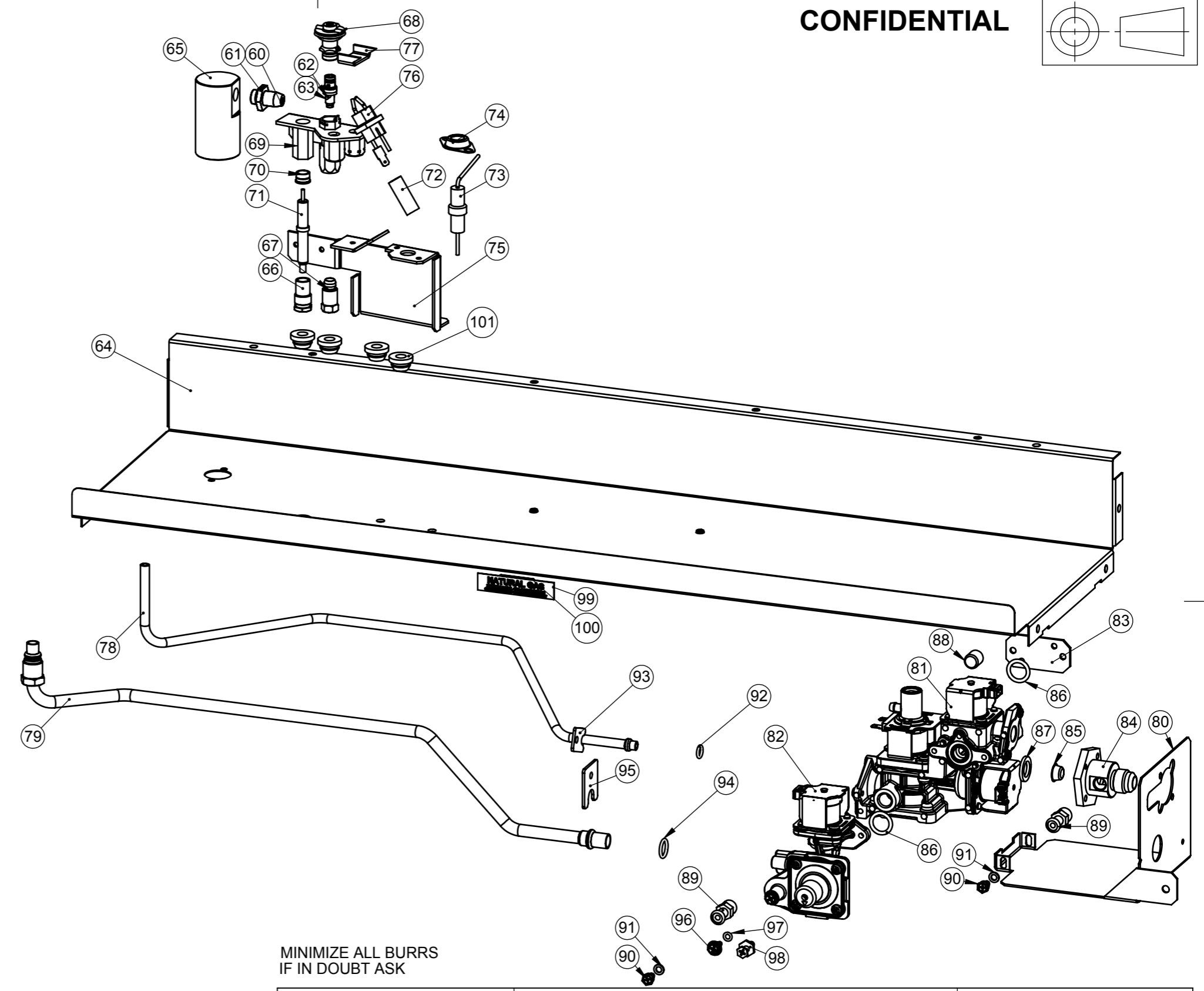
MINIMIZE ALL BURRS
IF IN DOUBT ASK

DIMENSIONS IN MILLIMETRES			MATERIAL:		THICKNESS: mm
TOLERANCE UNLESS STATED			SHEET: A3 LANDSCAPE	SCALE 1:2	SHEET 2 OF 4
DIM. ±0.5	DIA. ±0.1	ANGLES ±1°	FINISH: DESCRIPTION:		DRN BY: JJ
COPYRIGHT <small>ALL INFORMATION CONTAINED IN THIS DRAWING REMAINS THE PROPERTY OF RINNAI NZ. CHANGES, COPIES OR DISSEMINATION OF THIS DRAWING WITHOUT WRITTEN CONSENT IS PROHIBITED.</small>			RIB2312 SPARE PART		CHKD. RD
					APPD. RD
					ISSUE A
					DRG. NO.
					RIB2312 SPARE PART AU
					105 Pavilion Drive, Mangere, Auckland 2150 Ph: +64 (9) 257 3800

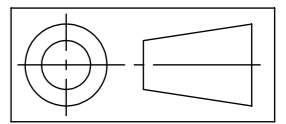
REVISIONS

DATE	ISSUE	ECN No.	DESCRIPTION
-	-	See Sheet1	See Sheet 3

ITEM NO.	PART NUMBER	DESCRIPTION	QTY.
60	11892	INJECTOR 2.8 NG	1
61	11535	INJECTOR 1.60 PROPAN	1
62	7795	INJECTOR NG 62 NG	1
63	7873	INJECTOR PILOT LPG 35	1
64	13125	BURNER SUPPORT RIB2312	1
65	11530	INJECTOR BLOCK	1
66	7900	ELECTRODE NUT ETR	1
67	7519	OLIVE 6mm	1
68	10272	PILOT CONVERTIBLE HOOD 3 FLAME	1
69	7870	PILOT BODY TOP CONVERTIBLE	1
70	7902	SPACER ELECTRODE PILOT	1
71	7875	ELECTRODE	1
72	12931	ELECTRODE SHEATH SILICONE PK2	1
73	12620	FLAME ROD RHFE1250	1
74	3068	FLAME ROD BRKT 556/553	1
75	13126	PILOT BRACKET RDV67	1
76	10265	ELECTRODE DBLE RHFE750ETR	1
77	13043	ELECTRODE CLAMP UNI CONTROL	1
78	13129	PILOT TUBE RIB2312	1
79	13128	GAS SUPPLY TUBE ASSY RIB2312	1
80	13026	MTG BRKT RDV67	1
81	13000	GAS VALVE MAIN C036U-23000-1	1
82	13001	PILOT REGULATOR C025L-02000-1	1
83	13003	COVER PLATE	1
84	13015	GAS INLET ADAPTOR 3/8 FLARE	1
85	13019	FILTER RCK-6808-2	1
86	13020	ORING M10B-1-14	2
87	10290	PACKING	1
88	6243	PLUG DRYSEAL PRESSURE 1/8"BSP	1
89	9992	PRESS. TEST POINT	2
90	9994	PRESS. TEST POINT SCREW	2
91	9995	PRESS. TEST POINT PACKING	2
92	6308	O RING M10B-1-6	1
93	13028	TUBE CLAMP 6mm	1
94	2389	O RING M10B-1-10	1
95	13029	TUBE CLAMP 10	1
96	3564	TEST POINT SCREW C10D-5-1	1
97	2239	O RING M10B-13-4	1
98	6700	ADJUST SCREW C/W NUT RR83	1
99	7349	LABEL GAS TYPE NATURAL GAS	1
100	6772	LABEL PROP(SMALL)	1
101	10767	GROMMET KIT	1



CONFIDENTIAL

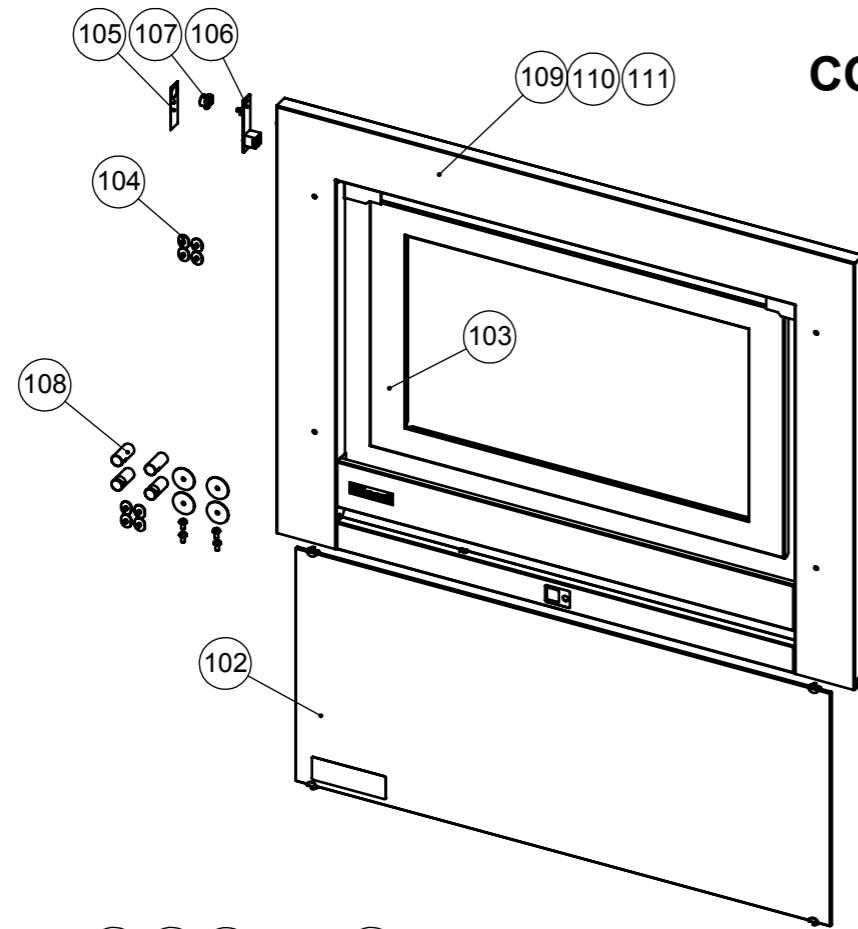
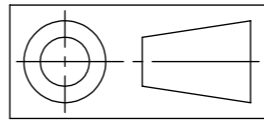


MINIMIZE ALL BURRS
IF IN DOUBT ASK

DIMENSIONS IN MILLIMETRES			MATERIAL:		THICKNESS: mm
TOLERANCE UNLESS STATED			SHEET: A3 LANDSCAPE	SCALE 1:3	SHEET 3 OF 4
DIM. ±0.5	DIA. ±0.1	ANGLES ±1°	FINISH: DRN BY: JJ		CHKD. RD APPD. RD
DESCRIPTION:					ISSUE A
 RIB2312 SPARE GAS CONTROL AU 105 Pavilion Drive, Mangere, Auckland 2150 Ph: +64 (9) 257 3800 NEW ZEALAND ltd.					DRG. NO.
					RIB2312 SPARE PART AU

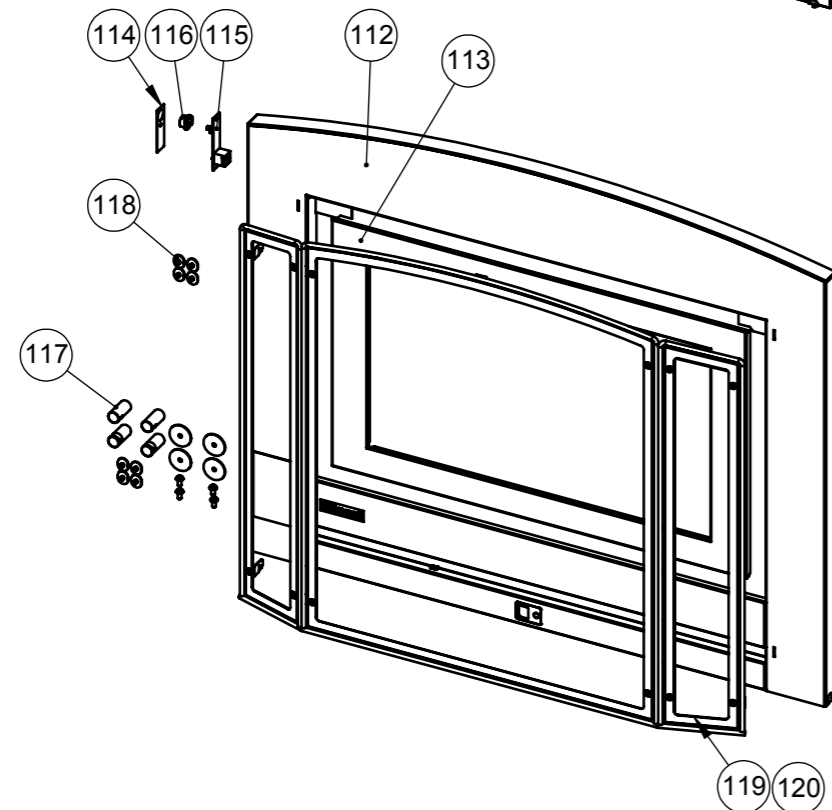
© COPYRIGHT
ALL INFORMATION CONTAINED IN THIS DRAWING
REMAINS THE PROPERTY OF RINNAI NZ. CHANGES,
COPIES OR DISSEMINATION OF THIS DRAWING
WITHOUT WRITTEN CONSENT IS PROHIBITED.

CONFIDENTIAL



ITEM NO.	PART NUMBER	DESCRIPTION	QTY.
102	11973	GLASS GUARD REPL RIB23	1
103	11975	INNER FRAME REPL BLACK RIB23	1
104	11977	GROMMET SET 4 GLASS STANDOFF	1
105	12139	CONTROL LABEL RIB2312	1
106	12999	MAN CONTROL SWITCH RDV67	1
107	10250	BUTTON RHFE750ETR	1
108	11976	STANDOFF REPL SET RIB23	1
109	13135	FRAME REPL RIB2312 GLX BLACK	1
110	13136	FRAME REPL RIB2312 STAINLESS	
111	13137	FRAME REPL RIB2312 STAINLESS/BLACK	

FRAME REPLACEMENTS ALSO INCLUDES
 12999 MAN CONTROL SWITCH
 12139 CONTROL LABEL C2
 10250 BUTTON RHFE750ETR



ITEM NO.	PART NUMBER	DESCRIPTION	QTY.
112	13138	FRAME REPL CLASSIC RIB2312	1
113	11893B	GLASS FRAME BLACK RIB23	1
114	12139	CONTROL LABEL RIB2312	1
115	12999	MAN CONTROL SWITCH RDV67	1
116	10250	BUTTON RHFE750ETR	1
117	11976	STANDOFF REPL SET RIB23	1
118	11977	GROMMET SET 4 GLASS STANDOFF	1
119	12123SH	CLASSIC GUARD ASSY WIRE FRAME SILVER	1
120	12123BZ	CLASSIC GUARD ASSY WIRE FRAME BRONZE	

MINIMIZE ALL BURRS
 IF IN DOUBT ASK

DIMENSIONS IN MILLIMETRES			MATERIAL:		THICKNESS: mm	
TOLERANCE UNLESS STATED			SHEET: A3 LANDSCAPE	SCALE 1:3	SHEET 4 OF 4	
DIM. ±0.5	DIA. ±0.1	ANGLES ±1°	FINISH: DESCRIPTION:		DRN BY: JJ	FIRST ISSUED: 12-04-18
COPYRIGHT ALL INFORMATION CONTAINED IN THIS DRAWING REMAINS THE PROPERTY OF RINNAI NZ. CHANGES, COPIES OR DISSEMINATION OF THIS DRAWING WITHOUT WRITTEN CONSENT IS PROHIBITED.			Rinnai NEW ZEALAND Ltd.		CHKD. RD APPD. RD	
					RIB2312 SPARE PART	
					DRG. NO. RIB2312 SPARE PART AU	
			105 Pavilion Drive, Mangere, Auckland 2150 Ph: +64 (9) 257 3800			