

## Continuous Flow Water Heater

### Recess Box RBOX5 / RBOX5+ RBOX02F Installation Instruction

#### GENERAL INFORMATION

Recess Box RBOX05 (fully recessed) / RBOX05 + RBOX02F (semi-recessed) fits these Rinnai Water Heaters:

INFINITY 32 ENVIRO PLUS  
REU-N3237W

HD210e  
REU-N3237WC

INFINITY ENVIRO 32  
REU-KM3237WD

INFINITY ENVIRO 26  
REU-KM2635WD

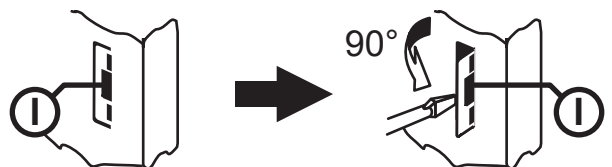
#### INSTALLATION METHOD

- Preparation of opening in brickwork:  
Height 1020–1050mm, width 495–530mm, minimum depth for a fully recessed installation is 230mm and the minimum depth for a semi-recessed installation is 140mm. (If the depth is less than 140mm the box is to be installed with the semi-recessed frame RBOX02F).  
The Rinnai Recessed box can either be fitted as the brickwork is being laid using the fold out brick ties to secure the box, or in an existing installation, cut an opening in the brickwork and fix the box by drilling holes in the sides and fix in position with suitable flush headed masonry anchors.
- Semi-Recessed installation using (RBOX02F). Assemble the frame components with screws supplied, utilising the pre-drilled holes located in each corner of the frame components. Slide the assembled frame onto the recess box from the rear and secure to the outer frame flange with screws supplied, utilising the pre-drilled holes 2 of each are located on each side.
- The gas, cold water inlet and hot water outlet pipes can be brought through the pipe entry holes in the bottom panel of the box.

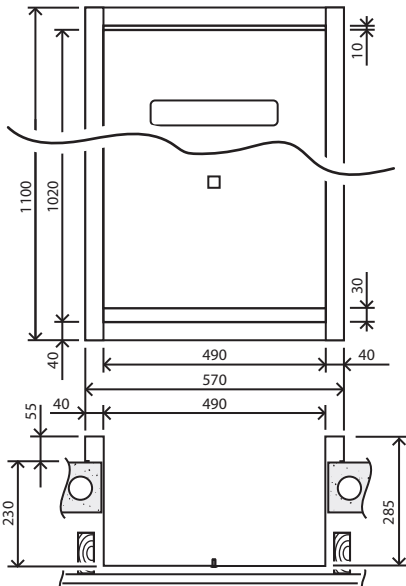


**The Rinnai water heater serial number and model number on the data plate located on the left hand side of the appliance, and **MUST** be copied to the sticker on the inside of the access panel. The serial number is needed for any warranty or service work.**

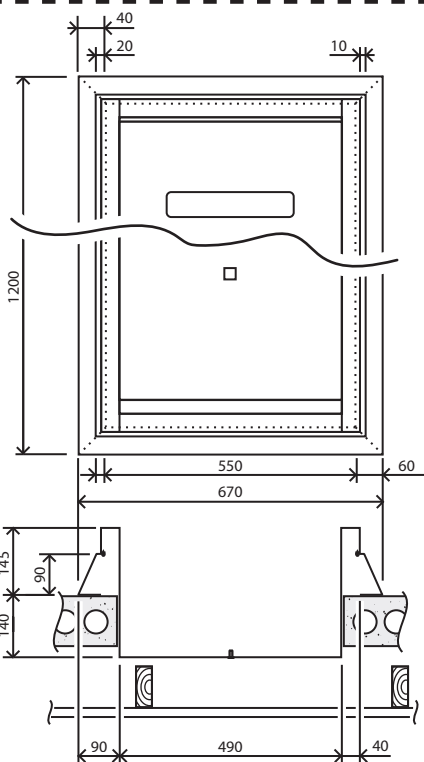
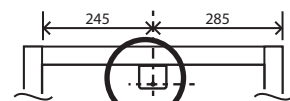
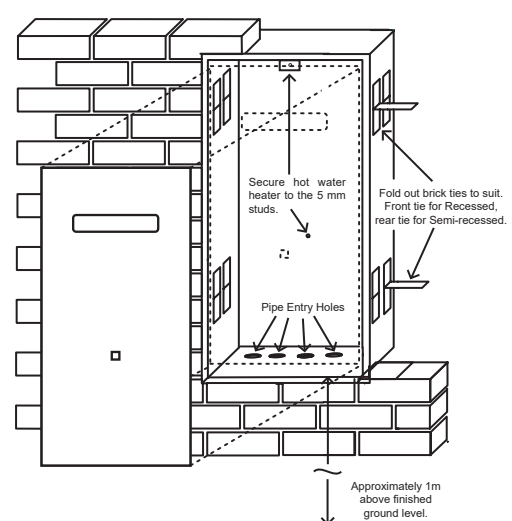
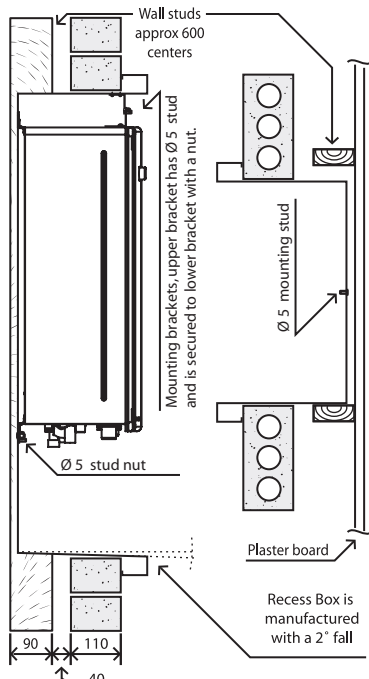
- Secure the bracket with the 5mm stud inside the top of the recess box. Facing the stud to the front of the recess box.
- Each recess box is supplied with a right-angle bracket that has 3 small holes on the horizontal tab and a key-way on the vertical tab. This bracket is to attach the appliance to the 5mm stud in the top of the recess box. Remove the three screws located on the top of the water heater and use these to fix the bracket to the top of the water heater.
- Hang the water heater on the top bracket over the stud in the top of the recess box and secure with a suitable fastener.
- Ensure the lower bracket is located on the 5mm stud on the back panel of the recess box and secure with a suitable fastener.
- When fitting the front access panel use a screw driver to bend out the tab retaining slots to 90° as shown in Fig. 1.
- An approved weatherproof electrical GPO can be fitted either inside the recess box, or can be fitted adjacent to with the power lead brought through the gap at the bottom of the access cover.
- Follow the Testing and Commissioning Procedure contained in the Commissioning Instructions located in the pouch behind the front panel of the water heater unit.
- Seal all gaps inside the recess box with Silicon Sealant to prevent water from entering the wall cavity.
- Tighten nuts to secure the appliance.
- Ensure the warning sticker on the front panel is visible when the appliance is installed.



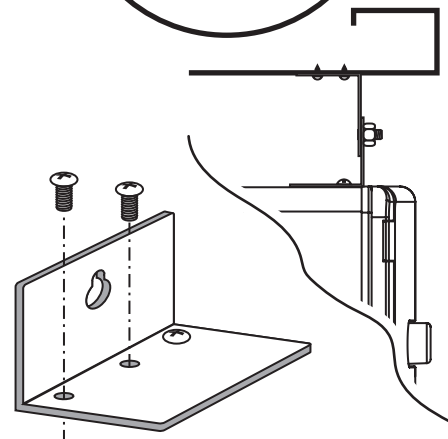
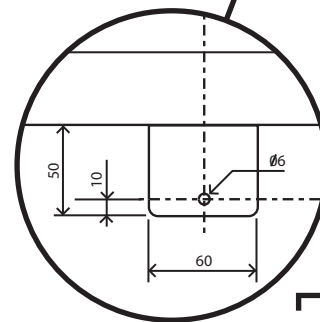
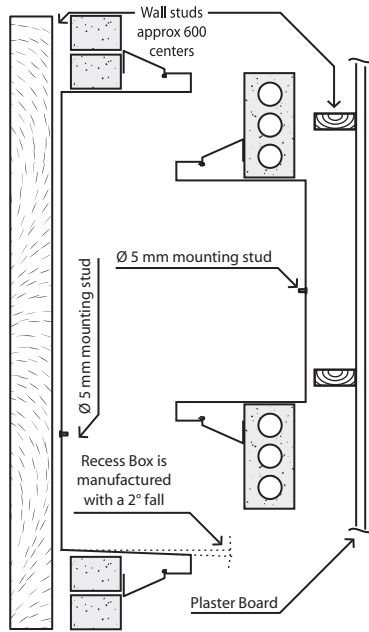
**If you require any further information, please contact Rinnai.**



**Fully Recessed Box**



**Semi-Recessed Box**



## Rinnai Australia Pty Ltd

ABN 74 005 138 769  
AU24752

100 Atlantic Drive, Keysborough, Victoria 3173  
P.O. Box 460, Braeside, Victoria 3195  
Tel: (03) 9271 6625  
Fax: (03) 9271 6622

### National Help Line

Tel: 1300 555 545\* Fax: 1300 555 655\*

### Hot Water Service Line

Tel: 1800 000 340\*

\*Cost of a local call higher from mobile or public phones.

For Further Information visit [www.rinnai.com.au](http://www.rinnai.com.au)  
or email [enquiry@rinnai.com.au](mailto:enquiry@rinnai.com.au)

Rinnai has a Service and Spare Parts network with personnel who are fully trained and equipped to give the best service on your Rinnai appliance. If your appliance requires service, please call our National Help Line. Rinnai recommends that this appliance be serviced every 3 years.

With our policy of continuous improvement, we reserve the right to change, or discontinue at any time, specifications or designs without notice.