

HD200

Specification Guide

Heavy Duty Continuous Flow Hot Water

Rinnai were the first to introduce the Commercial Heavy Duty Continuous Flow water heater, back in 2003. Today's Rinnai HD200 is the result of Japanese progress culminating in the ultimate quality design and efficiency.



No commercial hot water task is too much for this heater, available in both internal or external options, it is no surprise that the Rinnai HD Series is still the number one choice for Commercial hot water applications.

Features

- 82% thermal efficiency
- Renowned Japanese quality and designed components manufactured in Rinnai's own state of the art facility
- Internal and external options available
- Heat exchange bypass technology to maintain perfect temperature while reducing pressure loss
- MECs (Manifold Electronic Control System) compatible
- Built in status operation monitor displays set water temperature and system status
- BMS fault option
- Low pressure loss design
- High temperature safety cut-out
- Water controllers can be fitted and interfaced with MECs for superior control
- 42°C, 50°C or 75°C pre-set temperatures available
- Anti-frost protection down to -20°C
- Natural gas or LPG models available



Rinnai

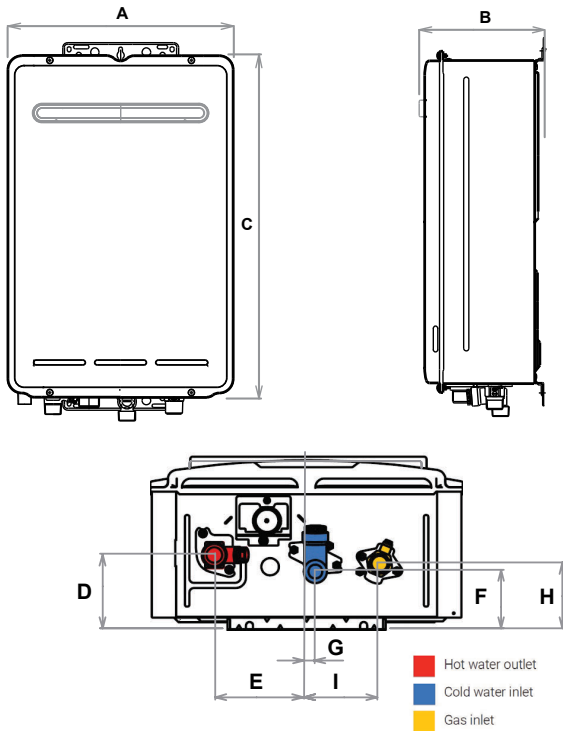
Selection

A continuous flow water heater never runs out of hot water, and will deliver the desired flow rate and energy output capacity relative to the temperature of the incoming water. Our in-house designed and built PCB communicates closely with the incoming water servo, bypass assembly and gas valve to measure, and modulate the unit ensuring the right temperature and flow is maintained.

		HD200e/HD200i Capacity (kW)						
		Flow Rate (l/min)						
Temperature Rise (°C)		5	10	15	20	25	30	32
	5	2	3	5	7	9	10	11
	10	3	7	10	14	17	21	22
	15	5	10	16	21	26	31	34
	20	7	14	21	28	35	42	45
	25	9	17	26	35	44		
	30	10	21	31	44	45		
	35	12	24	37	45			
	40	14	28	45				
	45	16	31					
50	17	35						
55	19	38						
60	21	42						
65	23	45						
70	24							
75	26							

Flow at 20 °C rise	32.0 l/min
Flow at 25 °C rise	26.0 l/min
Flow at 35 °C rise	18.5 l/min
Flow at 45 °C rise	14.5 l/min
Flow at 50 °C rise	13.1 l/min
Flow at 60 °C rise	11.0 l/min
Flow at 75 °C rise	8.5 l/min

Model		HD200e	HD200i	
Factory pre-set temperatures	°C	75	75	
		50	50	
		42	42	
Max temperature setting	°C	85	85	
Min operating water flow rate (L/min)		2.4	2.4	
Min water pressure (kPa)		180	140	
Max water pressure (kPa)		1000	1000	
Gas rate (MJ/h)	NG	Min	16	16
		Max	199	195
	LPG	Min	16	16
		Max	199	195
Thermal efficiency	%	81.6	83.4	
Max capacity	kW	45.9	45.1	
MECS compatibility		Yes	Yes	
Status monitor		Yes	Yes	
Electrical consumption	W	100	90	
Sound Level		<52		
Width	A (mm)	350	350	
Depth (inc brackets)	B (mm)	251	235	
Height (inc brackets)	C (mm)	600	600	
Hot water outlet (from wall)	D (mm)	96	96	
Hot water outlet (from centre)	E (mm)	110	110	
Cold water inlet (from wall)	F (mm)	75	75	
Cold water inlet (from centre)	G (mm)	27*	27*	
Gas connection (from wall)	H (mm)	104	104	
Gas connection (from centre)	I (mm)	89	89	
Hot/ cold gas fitting diameter	(mm)	20	20	
Weight	(kg)	21	21	



Rinnai Australia Pty Ltd

ABN 74 005 138 769

100 Atlantic Drive,
Keysborough, Victoria 3173

For further information
call 1300 555 545 or visit
rinnai.com.au

TOTAL HOME COMFORT



Rinnai

*Please note that this measurement is to the left of the centre line.