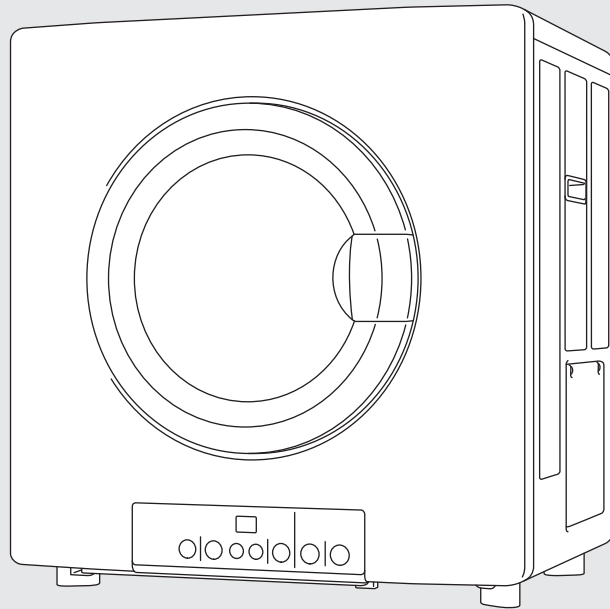


Model:
Dry-Soft 9 | RDT-90-AU



Gas Clothes Dryer

Operation & Installation Manual

Rinnai

Congratulations on the purchase of your new Rinnai Dry-Soft gas clothes dryer. We trust you will have many years of comfort and enjoyment from your appliance.



BEFORE USING THIS APPLIANCE.

Before proceeding with the operation or installation read this manual thoroughly and gain a full understanding of the appliance, to ensure safe and correct use.

This appliance must be installed in accordance with:

- Manufacturer's Installation Instructions
- Current AS/NZS 3000, AS/NZS 3500 & AS/NZS 5601
- Local Regulations and Municipal Building Codes including local OH&S requirements

This appliance must be installed, serviced and removed by an authorised person. An authorised person will have the licensing and insurance required by the relevant state/territory gas regulating authority and will issue any necessary compliance certificates for work undertaken.

For continued safety of this appliance it must be installed and maintained in accordance with the manufacturer's instructions.



The Australian Gas Association

All Rinnai gas products sold in Australia are A.G.A certified.

OPERATION TABLE OF CONTENTS

Warnings & Important Information	4
Before Using This Appliance	4
Regulatory Information	4
Safety Devices	6
General Information	6
Features & Benefits	6
Operation	7
Appliance Overview	7
Control Panel	8
Automatic Programs	9
Drying Programs	9
Drying Time	10
How to Fold Sheets/Blankets	10
Operational Time	11
Soften & Cool Function	11
Interruptions to Programs	11
Audible Signals	12
Loading Considerations	13
Fabric Care & Drying Hints	13
How To Use Automatic Programs	14
How To Use a Timer Program	15
Cancelling a Set Timer Program	16
How to Use The Self-Clean Program	17
Care & Maintenance	18
Cleaning the Appliance Body	18
Cleaning the Lint Filter	18
Cleaning the Air Inlet Filter	19
Trouble Shooting	20
Check List	20
General Dryer Characteristics	20
Service	20
Error Codes	21
Installation Table of Contents	23
Contacts	40

WARNINGS & IMPORTANT INFORMATION



BEFORE USING THIS APPLIANCE

Before proceeding with the operation or installation read this manual thoroughly and gain a full understanding of the appliance, to ensure safe and correct use.

Always comply with the following precautions to avoid dangerous situations and to ensure optimum performance.

Failure to carefully read and follow all instructions in this manual can result in equipment malfunction, property damage, personal injury and/or death.

DANGER: Indicates an imminently hazardous situation which, if not avoided, will result in personal injury or death.

WARNINGS: Indicates a potentially hazardous situation which, if not avoided, could result in personal injury or death.

CAUTIONS: Indicates a potentially hazardous situation which, if not avoided, could result in minor or moderate injury or damage to the appliance. It may also be used to alert against unsafe practices.



REGULATORY INFORMATION

This appliance shall be installed in accordance with:

Manufacturer's Installation Instructions.

Current AS/NZS 3000.

Local Regulations and Municipal Building Codes including local OH&S requirements.

This appliance has been certified by the Australian Gas Association. The A.G.A. Certification Number is shown on the data plate.

This appliance must be installed, maintained and removed by an Authorised Person.

For continued safety of this appliance it must be installed and maintained in accordance with the manufacturers instructions.

This appliance is heavy, use 2 people or mechanical lifting device. Improper lifting may result in serious injury.

Take care when opening or unpacking this appliance. Failure to do so may result in serious injury or product failure.

Do not modify the electrical wiring of this appliance. If the power cord is damaged or deteriorated then it must be replaced by an authorised person. Failure to do so may result in electric shock, fire, serious injury or product failure.

Please keep this instruction booklet in a safe place for future reference. All dimensions referred to in these instructions are in millimetres, unless otherwise specified.



MANDATORY INSPECTION PRIOR TO INSTALLATION OR USE

Immediately report any damage or discrepancies to the Supplier of the appliance. This appliance was inspected and tested at the time of manufacture and packaging, and released for transportation without known damage. Upon receipt, inspect the exterior for evidence of rough handling in shipment. Ensure that the appliance is labelled correctly for the gas and electrical supply, and/or other services it is intended to be connected to.

For safety and warranty purposes, appliances that may be damaged or incorrect must not be installed or operated under any circumstances. Installation of damaged or incorrect appliances may contravene local government regulations. Rinnai disclaims any liability or responsibility whatsoever in relation to the installation or operation of damaged or incorrect appliances.



A NOTE ON ILLUSTRATIONS

The illustrations used in this manual are for explanatory purposes only and the shape of your unit may vary slightly from that which is shown in this manual.



WARNINGS

DO NOT Operate this appliance before reading the instruction booklet.

DO NOT Place articles on or against this appliance.

DO NOT Store chemicals or flammable materials, or spray aerosols near this appliance.

DO NOT Operate with panels, covers or guards removed from this appliance.

DO NOT Load materials containing flammable solvents into this appliance.

Ensure all articles are removed from pockets. These include flammable items such as matches and cigarette lighters.

DO NOT modify this appliance

DO NOT dry clothes or materials containing foam, glue or other flammable substances or materials.

DO NOT dry clothes or materials containing foam rubber (latex foam), shower caps, waterproof textiles, rubber backed articles and clothes or pillows with foam rubber pads.

DO NOT use this appliance to dry off solvents, dry-cleaning fluids or other flammable substances.

DO NOT dry unwashed items in the dryer.

Items that have been soiled with substances such as cooking oil, acetone, alcohol, petrol, kerosene, spot removers, turpentine, waxes and wax removers should be washed in hot water with an extra amount of detergent before being dried in the dryer.

If it is unavoidable that fabrics that contain vegetable or cooking oil or have been contaminated by hair care products be placed in a tumble dryer they should first be washed in hot water with extra detergent. This will reduce, but not eliminate the hazard.

Items such as foam rubber (latex foam), shower caps, waterproof textiles, rubber backed articles and clothes or pillows with foam rubber pads should not be dried in the dryer.

Fabric softeners, or similar products, should only be used as specified by the fabric softener instructions.

The dryer is **NOT** to be used if industrial chemicals have been used for cleaning

DO NOT operate the dryer while the CLEAN FILTER light is on. Any lint must be regularly removed in accordance with these instructions.

DO NOT open the dryer door whilst the dryer is in operation. The dryer door should only be opened after the **FINISH** light illuminates.

When the dryer cycle is finished, take care when removing laundry items. They may still be warm or **HOT**.

DO NOT use the gas clothes dryer for any purpose other than the drying of clothes.

Fresh air ventilation openings shall not be blocked and/or sealed, including by carpets.

This appliance is not intended for use by persons (including children) with reduced physical, sensory or mental capabilities or lack of experience and knowledge, unless they have been given supervision or instructions concerning use of the appliance by a person responsible for their safety. Children shall be supervised to ensure they do not play with this appliance.

DO NOT cover or place any articles on or against this appliance.

DO NOT store chemicals or flammable materials or spray aerosols near this appliance.

DO NOT unplug the electric power cord whilst in operation.

Ensure clothes **DO NOT** get stuck between the dryer door and drum. Appliance and clothing damage may occur and an unsafe situation could result.

DO NOT operate these appliances without the exhaust duct. These appliances must be operated with the exhaust duct connected and terminated in accordance with these instructions.

If the supply cord is damaged, it must be replaced by the manufacturer, its service agent or similarly qualified person in order to avoid a hazard.

Oil affected items can ignite spontaneously, especially when exposed to heat sources such as in a dryer. The items become warm, causing an oxidation reaction in the oil. Oxidation creates heat. If the heat cannot escape, the items can become hot enough to catch fire. Piling, stacking or storing oil-affected items can prevent heat from escaping and so create a fire hazard.

**ITEMS UNSUITABLE FOR TUMBLE DRYING**

DO NOT tumble dry fabrics if the care label states that tumble drying is not suitable. These may include items made from silk, wool, wool blends, leather, lace or hemp. These fabrics may shrink, deform or fade. The same applies to items with printing or glued emblems which may fade or separate.

Non breathable fabrics, materials or items such as rain coats, leather, glued clothes, quilts, mats, carpet, stuffed cushions and toys are unsuitable for tumble drying.

SAFETY DEVICES

For your safety and peace of mind the Dry-Soft® range of gas clothes dryers are fitted with following safety devices:

Flame Failure Sensing - Appliances shuts down in case of flame failure.

Drying Drum Overheat Switch - Appliance shuts down in case the drying drum overheats. Self resetting.

Electric Motor Overheat Switch - Appliance shuts down in case the motor overheats. Self resetting.

Drum Belt Safety Switch - Appliance shuts down in case of drum belt breakage.

Door Switch - Appliance cannot start unless appliance door is properly closed.

Blocked Filter Warning - Filter indicator lights up in case of blocked filter(s).

Electric Fuses - Protects appliance in case of electrical overload.

GENERAL INFORMATION

- **DO NOT** exceed the maximum drying load: The Maximum load for the Dry-Soft® 9 (Model RDT-90-AU) is 9kg. Exceeding the maximum drying load may result in uneven drying or appliance malfunction.
- Ensure clothes have been spin dried by a washing machine before placing into the gas clothes dryer. Wet clothes may damage the dryer and will take excessively long to dry.
- Ensure washing detergents, bleaches and fabric softeners have been fully rinsed from clothes before placing them into the gas clothes dryer. These substances may damage internal dryer components.
- It is preferable that the space in which the gas clothes dryer is installed is well ventilated. This can be achieved by opening a window during use.

FEATURES & BENEFITS**Quick Drying**

The range of Rinnai gas clothes dryers utilise gas as the drying medium rather than electricity. This results in a considerable reduction in drying time when compared to most electric clothes dryers.

Economical

The range of Rinnai gas clothes dryers are highly efficient. In addition, they utilise gas rather than electricity as the drying medium. Depending on the gas type used considerable running costs savings are possible when compared to electric clothes dryers.

Soft Clothes

Using gas as the drying medium results in clothes that feel softer when compared to electric clothes dryers.

Automatic Operation

Dryer stops automatically when drying is completed. This eliminates the need by the user to guess how long drying might take.

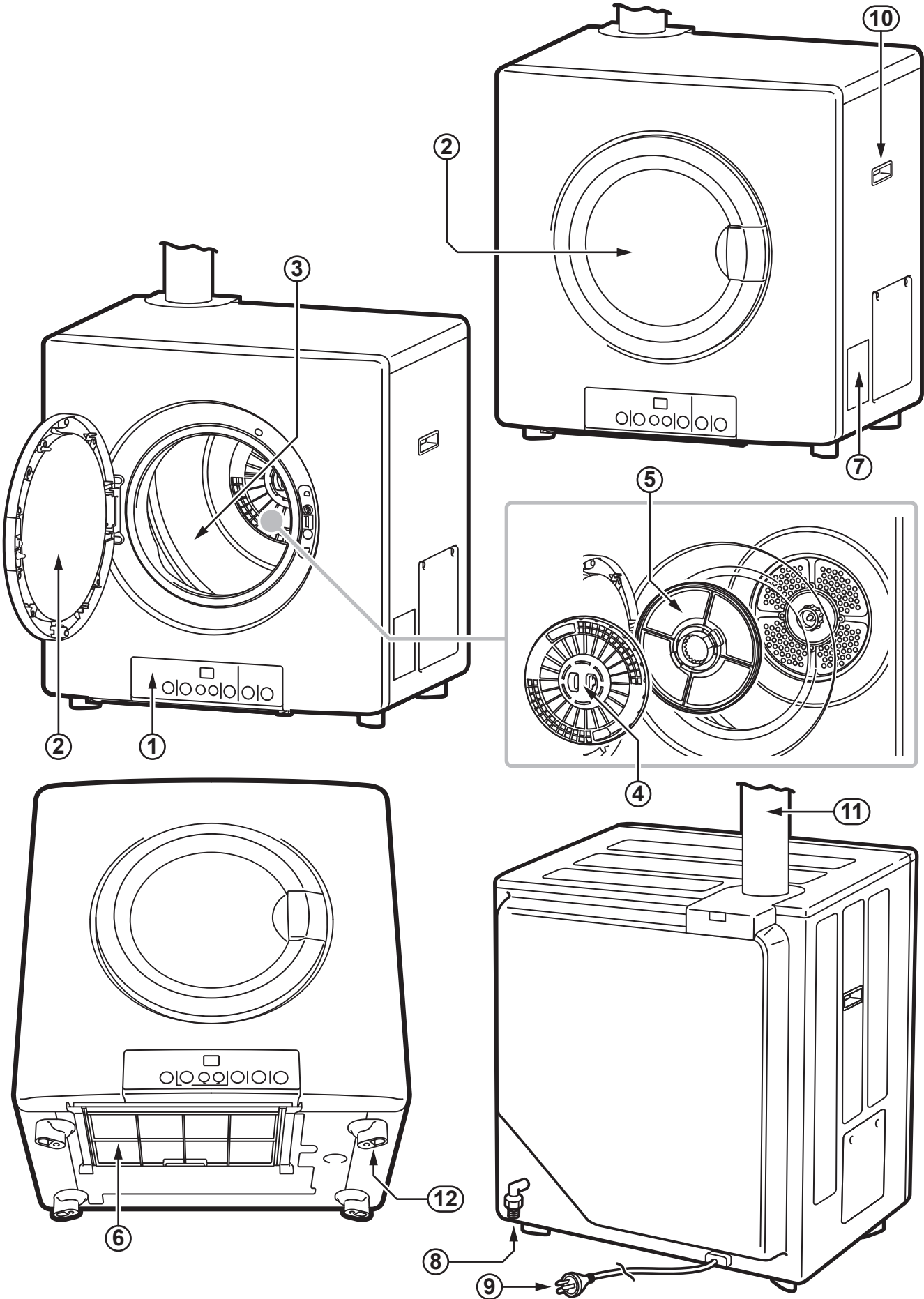
Time remaining indicator

Indicates the remaining time for completion of drying.

Exhaust Duct

The exhaust duct vents to outside. This prevents the discharge of moist air, dust and lint into the room containing the clothes dryer.

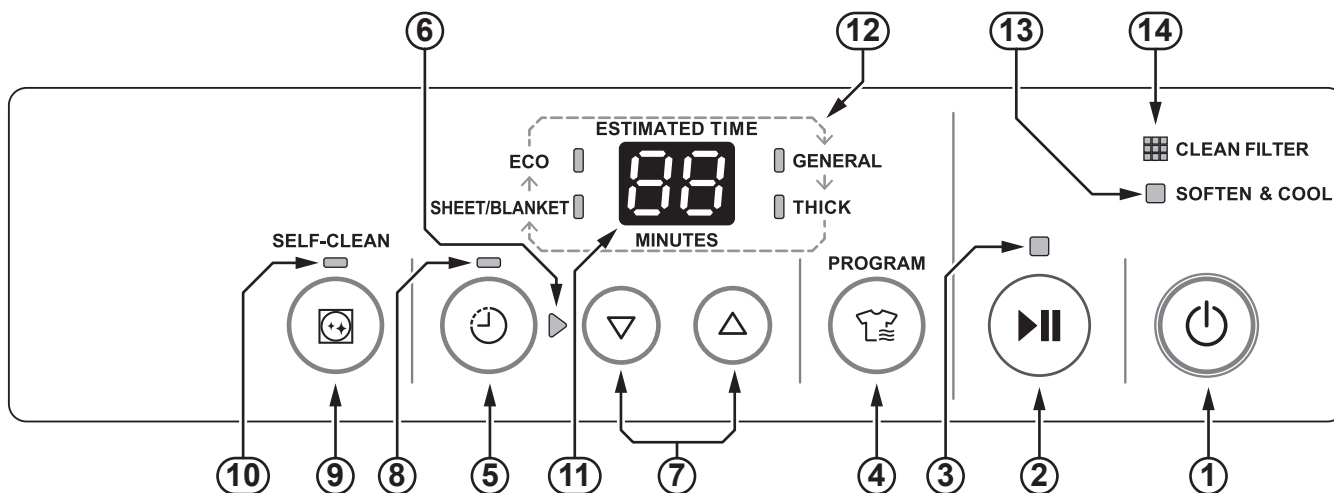
APPLIANCE OVERVIEW



OPERATION

- | | |
|---------------------------------------------------------------------------------------------------------------------------------------------------------------------------------------------------------------------------------------------------------------------------|-------------------------------------------------------------------------------------------------------------------------------------------------------------------------------------------------------------------------------|
| <ol style="list-style-type: none"> 1. CONTROL PANEL 2. DOOR (left or right opening install options) 3. DRUM 4. DRUM LINT POCKET (Blue) 5. DRUM FILTER (Black) 6. AIR INLET FILTER (Protects burner from lint) | <ol style="list-style-type: none"> 7. APPLIANCE DATA PLATE 8. GAS CONNECTION 9. POWER CORD 10. CARRY HANDLES 11. FLUE / SPIGOT ADAPTER 12. FEET / MOUNTING POINTS |
|---------------------------------------------------------------------------------------------------------------------------------------------------------------------------------------------------------------------------------------------------------------------------|-------------------------------------------------------------------------------------------------------------------------------------------------------------------------------------------------------------------------------|

CONTROL PANEL



- | | |
|--------------------------------------------------------------------------------------------------------------------------------------------------------------------------------------------------------------------------------------------------------------------------------------------------------------------------------------------------------------------------------------------------------------------------------------------------------------------------------------------------------------------------------------------------------------------------------------------------------------------------------------------------------------------------------------------------------------------------------------------------------------------------------------------------------------------------------------------------------------------------------------------------------------------------------------------------------------------------|--------------------------------------------------------------------------------------------------------------------------------------------------------------------------------------------------------------------------------------------------------------------------------------------------------------------------------------------------------------------------------------------------------------------------------------------------------------------------------------------------------------------------------------------------------------------------------------------------------------------------------------------------------------------------------------------------------------------------------------------------------------------------------------------------------------------------------------------------------------------------------------------------------------------------------------|
| <ol style="list-style-type: none"> 1. ON / OFF BUTTON
Turns the power ON and OFF to the appliance. Note that the power is automatically turned OFF after approximately 10 minutes of non use. 2. START/PAUSE BUTTON
Starts or pauses drying operation. 3. OPERATION INDICATOR
Illuminates green when drying operation has started, blinks green when drying operation paused, illuminates red when the gas burner is OPERATION. 4. AUTOMATIC PROGRAM BUTTON
Select the one of four automatic drying programs (see page 9 and 14 for details). 5. TIMER BUTTON
Selects operation in Timer mode from a set of pre-set times (see page 11 and 15 for details). 6. TIMER SETTING INDICATOR
Blinks green during the timer set up. 7. UP / DOWN BUTTONS
Used to increase or decrease the drying time (Timer operation only). | <ol style="list-style-type: none"> 8. TIMER INDICATOR
Illuminates green during operation in Timer mode. 9. SELF-CLEAN BUTTON
Selects the SELF-CLEAN program before starting the drying process to sterilise the drum. This program runs for a period of 3 minutes (see page 11 and 17 for details). 10. SELF-CLEAN INDICATOR
Illuminates green when the SELF-CLEAN program has been selected. 11. DIGITAL DISPLAY
Displays the remaining drying time and error codes. 12. AUTOMATIC PROGRAM INDICATORS
Illuminates green against the program(s) that has been selected. 13. SOFTEN & COOL INDICATOR
Illuminates green when SOFTEN & COOL function is taking place (see page 11 for details). 14. CLEAN FILTER INDICATOR
Illuminates red when the filter requires cleaning. |
|--------------------------------------------------------------------------------------------------------------------------------------------------------------------------------------------------------------------------------------------------------------------------------------------------------------------------------------------------------------------------------------------------------------------------------------------------------------------------------------------------------------------------------------------------------------------------------------------------------------------------------------------------------------------------------------------------------------------------------------------------------------------------------------------------------------------------------------------------------------------------------------------------------------------------------------------------------------------------|--------------------------------------------------------------------------------------------------------------------------------------------------------------------------------------------------------------------------------------------------------------------------------------------------------------------------------------------------------------------------------------------------------------------------------------------------------------------------------------------------------------------------------------------------------------------------------------------------------------------------------------------------------------------------------------------------------------------------------------------------------------------------------------------------------------------------------------------------------------------------------------------------------------------------------------|



NOTE A short beep will sound when pressing buttons to confirm that the action has been registered.

AUTOMATIC PROGRAMS

Four automatic drying programs are available.

GENERAL	THICK	SHEET/BLANKET	ECO
---------	-------	---------------	-----



The default automatic drying program is GENERAL.

In TIMER and SELF-CLEAN modes the user can not select any of the drying programs.

DRYING PROGRAMS

<p>GENERAL</p> <p>In this mode the gas dryer operates at full drying capacity. Ideal for regular clothes that are used daily. When these cannot be dried by the GENERAL course, try the THICK/EXTRA cycle.</p>	
<p>THICK</p> <p>In this mode the gas dryer operates for longer than in the GENERAL mode. Ideal for thick, difficult to dry clothes such as jeans, sweat shirts and towels.</p>	
<p>SHEET/BLANKET</p> <ul style="list-style-type: none"> • Items that are hard to dry, such as sheets and doona/duvet covers • Items that are difficult to dry, such as Meyer blankets (fleece or throw blankets) 	
<p>ECO</p> <p>In this mode the gas dryer operates by minimising the gas usage and extending the drying time beyond the GENERAL course of drying period.</p> <ul style="list-style-type: none"> • With this course of drying, clothes are first dried by ambient air blowing operation, and are then finished up using the warm air operation. • It generally takes about 1.5 times longer than using the GENERAL cycle. <p>Operating time and gas consumption may vary depending on the usage and environmental conditions. On days when clothes are difficult to dry, such as cold days or rainy days, the ventilation operation stops and immediately switches to warm operation.</p>	

DRYING TIME

Type of Clothes	Weight of 1 Item (size)	Amount of clothes that can be dried in a single operation.	Drying Time
Long-sleeved shirts (mixed spun fibre)	Approx. 200 g	Approx. 45	Approx. 90 minutes
Work clothes tops and bottoms (mixed spun fibre)	Approx. 800 g	Approx. 11 sets	Approx. 85 minutes
Pyjama tops and bottoms (mixed spun fibre)	Approx. 500 g	Approx. 18 sets	Approx. 90 minutes
Towel (cotton)	Approx. 80 g	Approx. 62	Approx. 80 minutes
Meyer blankets / fleece or throw (acrylic)	Single size	2	Approx. 80 minutes
Sheets (100% cotton)	Single-size duvets 150 x 210 cm	6	Approx. 95 minutes

In the following instances, the drying time increases.

- When clothes have not been sufficiently spun-dried
- When the surrounding temperature is low
- When the lint filter is blocked with lint
- When the room is insufficiently ventilated



- The table above shows reference drying times when drying clothes that have been spun-dried 5 minutes in a fully automatic washing machine at a room temperature of 20°C.
- Set the volume of towels that can be dried in a single operation slightly lower than other clothes since their volume during drying swells to approximately 1.5 times other clothes. Drying times also become longer or uneven drying occurs with regular clothes when too many clothes are forced into the dryer.
- The drying time sometimes is longer than the times in the table above depending on the type, thickness, etc. of the fabric.
- Drying weight is the weight when clothes are dry.

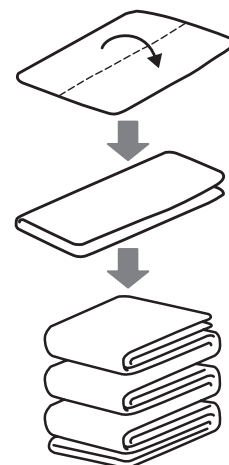
HOW TO FOLD SHEETS/BLANKETS

Items such as sheets, doonas/duvet covers that are difficult to dry when rolled up




- Put sheets and duvet covers folded individually into the dryer.
- If they do not dry when rolled up, repeat the same operation.
- Up to 6 single-size items can be dried at a time, or up to 3 double-size items.

Blankets (Meyer/Fleece/Throw blankets) and other hard-to-dry items

- Fold the blanket in two lengthwise and then fold it into a zigzag.
- You can only dry two blankets at a time.
- When drying new blankets, a little fabric may fall out and accumulate in the lint filter, but this is just waste fabric from the blanket.
- If the blanket isn't dry enough due to insufficient spin-drying etc., turn it over and dry again.



Zigzag fold

Blankets that can be dried	Do not dry:
<ul style="list-style-type: none"> • Single-size products weighing 3.0 kg or less, made of 100% synthetic fibre with "Hand wash" ,  or  symbols. • Acrylic blankets • Tufted blankets • Woven blankets • The blanket will be damaged if it is dried using a cycle other than the SHEET/BLANKET mode. 	<ul style="list-style-type: none"> • Long-piled blankets with piles of 10 mm or more (may cause pile flattening) • Electric blankets • Blankets made of 100% wool • Items marked with "Do not tumble dry"

OPERATIONAL TIME

Automatic Programs: When using Automatic Programs the dryer senses the clothes volume, moisture content and drying progress continuously. Drying will continue until the items have dried sufficiently. The approximate remaining drying time is indicated on the digital display approximately 2 minutes after the start of operation.



In Automatic Drying mode the remaining drying time indicated is approximate only and will be less accurate if the CLEAN FILTER indicator is illuminated. The remaining drying time indicated on the digital display counts down in 5 minute increments until there is only 1 minute remaining.

Timer Operation: When using TIMER based drying, the user selects the duration of the drying period. Drying operation will end when the time has elapsed regardless of whether clothes are dry or not. The remaining drying time indicated on the digital display counts down in 5 minute increments until there is only 1 minute remaining.

SELF-CLEAN Operation: Before drying, the inside of the drum is sterilized with warm air at 80°C or higher for 3 minutes. This function is useful if you used the equipment to dry items other than clothes and you want to clean the inside of the drum before using it again.

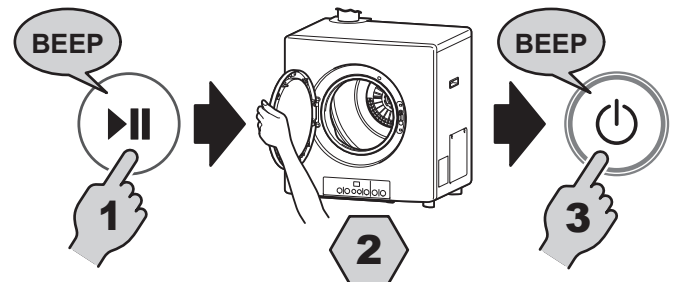
SOFTEN & COOL FUNCTION

This function starts 1 minute after the selected drying operation ends. As the inside of the drum is hot and oils remaining on items can cause spontaneous combustion. This function is automatically started 1 minute after a drying operation ends. This involves 3 minutes of continuous drum rotation followed by intermittent drum rotation (1 minute approximately every 4 minutes) for a maximum of 76 minutes.



To cancel SOFTEN & COOL operation:

1. Press the START/PAUSE button.
2. Wait for the drum to stop rotating and then open the door.
3. Remove any items.
4. Press the ON/OFF button. The SOFTEN & COOL operation will now stop and the dryer is turned OFF.
5. Close the door.



Wait for drum to stop rotating and then open the door.

INTERRUPTIONS TO PROGRAMS

If a power outage occurs when the dryer is operating, when power is restored the dryer will be in the OFF condition. Pressing the power button will place the dryer into SOFTEN & COOL operation and the error code **EE** will also be flashing in the digital display.



To clear an error condition caused by disruption to power, follow the procedure used to cancel the SOFTEN & COOL function in the previous section.

AUDIBLE SIGNALS

This appliance is equipped with audible signals that can notify you when both correct or incorrect operations are being selected, when drying operations have been completed and of possible error conditions.

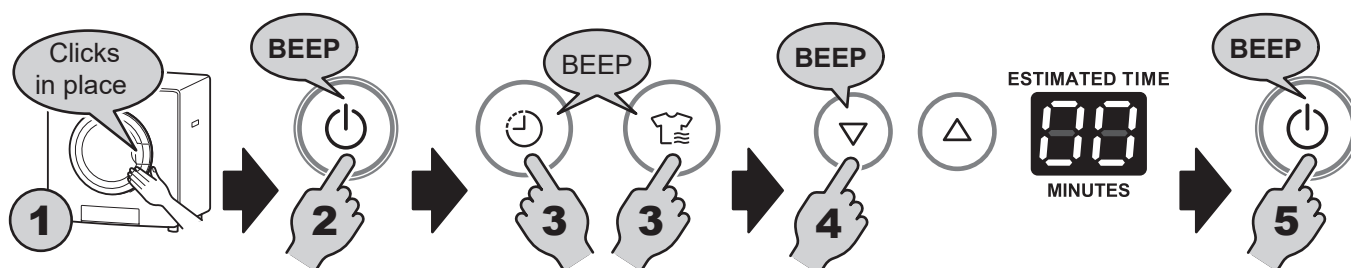
By default these signals are turned on (recommended), however some operational signals may be muted by following the procedure at the bottom of this page.

Button Operation or Appliance State	Signal
Power ON signal	Short beep
Correct button operation, acceptance signal	Short beep
Incorrect button operation, refusal tone	2 Short beeps
Power OFF signal	Long beep
Drying program complete signal	3 Long beeps (these will sounds 3 times)
Clean Filter indicator flashing (at end of drying program) *	10 short beeps
Door open warning after 5 minutes (when appliance is ON) *	Short continuous double beeps
Safety Device activation / appliance in error state *	20 beeps



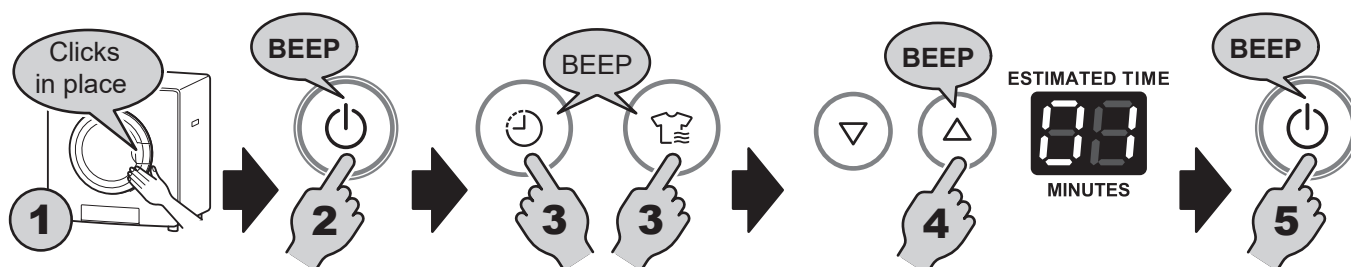
* For safety of operation the muting procedure will not apply to these specific operational signals.

To Mute Signals



1. Close the door.
2. Press the ON/OFF button.
3. Press the PROGRAM and TIMER buttons at the same time.
4. Press the DOWN button, the digital display shows 00.
5. Press the ON/OFF button.

To Enable Signals



1. Close the door.
2. Press the ON/OFF button.
3. Press the PROGRAM and TIMER buttons at the same time.
4. Press the UP button, the digital display shows 01.
5. Press the ON/OFF button.

LOADING CONSIDERATIONS

Overloading

Placing too many items inside the drum may cause the drum to stall and prevent drying operations from starting.

DO NOT load the drum greater than 2/3 of its capacity.

DO NOT load excessively wet / heavy articles into the drum, ensure they have been sufficiently spun dried before loading into the dryer and running a drying operation.

Articles That Produce Lint

Items with loose fibres and items such as new towels can produce large amounts of lint, when drying articles such as these it is best done separately.

Lint has a tendency to stick to articles made from man made fibres.

Reducing Static Build-up

Using a fabric softener during the wash can help to reduce the build up of static electricity when articles are being tumble dried.

Man made fibres such as Nylon, etc. may have a greater tendency to produce static electricity when being tumble dried.

Reducing Uneven Drying & Wrinkles

To reduce wrinkles, place articles evenly into the drum one piece at a time, flatten out tangled or knotted items.

Reduce the load to between 70% to 80% of a full load.

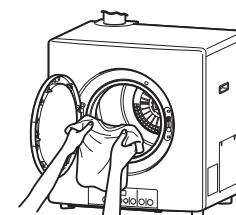
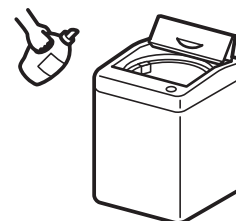
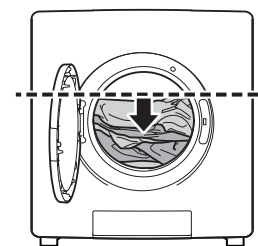
When drying small amounts, add in articles such as dried bath towels to help even out the load.

When drying a mix of both thin and thick articles select the THICK program.

Articles With Fasteners or Hooks

Close fasteners and turn articles inside out before loading.

This will prevent damage to the items as well as protect the inside of the drum.



FABRIC CARE & DRYING HINTS

- Read the fabric care label attached to most clothes to confirm if they are suitable for tumble drying and, if so, select the drying cycle recommended by the manufacturer. In the absence of manufacturer recommendations Rinnai suggests the following:
- Use the 'GENERAL' cycle for items such as towels, shirts and underwear.
- Use the 'THICK' drying cycle for items such as jeans, sweatshirts or heavier winter clothes.
- If thick items are mixed with thin items, select the 'THICK' drying cycle.

HOW TO USE AUTOMATIC PROGRAMS

1. Open the dryer door and place items selected for drying evenly into the dryer drum and close the door.
2. Press the ON/OFF button, the dryer will turn ON, and defaults to the last setting that was used.
3. If not already in Automatic Program mode, press the PROGRAM button by default the GENERAL program will be illuminated.

To select an alternative program press the PROGRAM button until desired program indicator is illuminated. The order that the programs cycle through is as follows: → GENERAL → THICK → SHEET/BLANKET → ECO →

4. Press the START/PAUSE button. The OPERATION (Combustion) indicator will show green, and changes to red after the burner ignition (which may take up to 10 seconds), drying will commence after ignition.

After approximately 2 minutes of operation an estimate of the remaining drying time will appear in the digital display and count down in 5 minute increments until there is only 1 minute remaining.



NOTE The OPERATION (Combustion) indicator may alternate between showing green and red, and will show green towards the end of the drying cycle, however this is normal.

When the front door is opened during operation, the operation/combustion lamp lights (green) and operation stops. Drying operation is resumed when the front door is closed. If drying operation is continued immediately after cooling operation, drying operation begins immediately after cooling operation of two minutes maximum.

Dryer operation will stop when items are sufficiently dry and 3 long beeps will sound 3 times.

The OPERATION (Combustion) indicator will show green and the SOFTEN & COOL indicator will begin to flash.



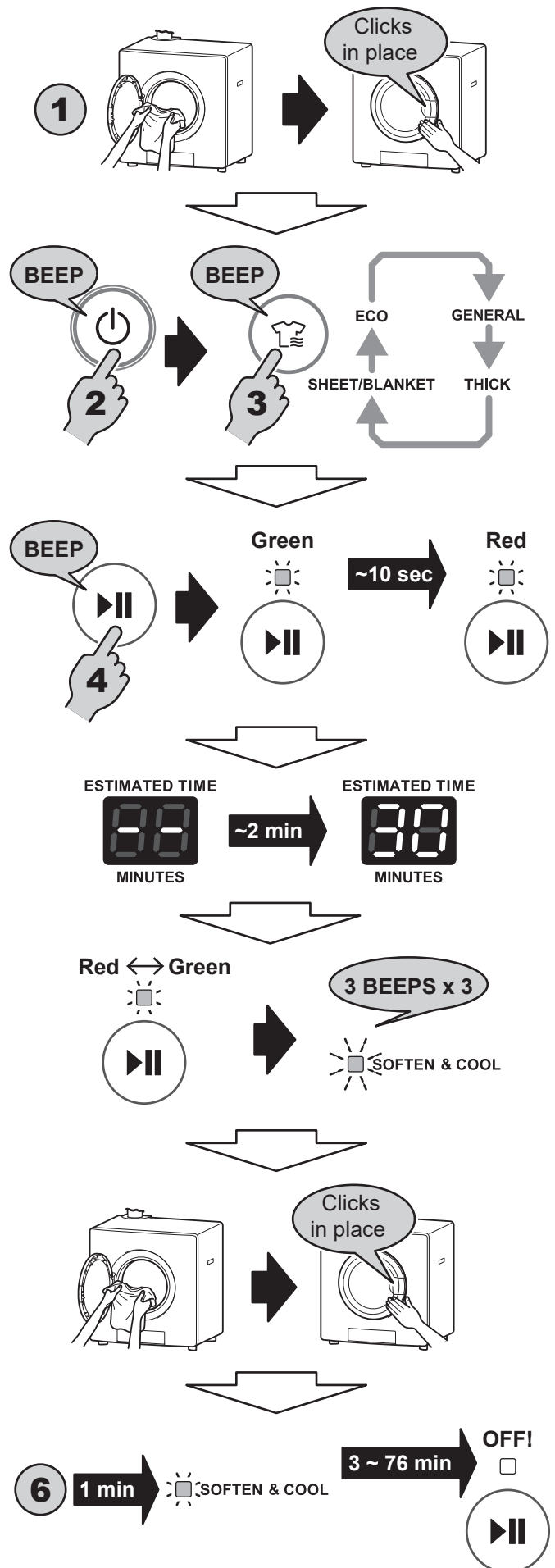
NOTE At this point the items may be removed if so desired. Before opening the dryer door, ensure the SOFTEN & COOL indicator is flashing.

If no action is taken the SOFTEN & COOL function will begin.

5. Approximately 1 minute after the dryer program finishes the SOFTEN & COOL function will begin. The SOFTEN & COOL indicator will now be illuminated and the dryer will automatically turn OFF once the SOFTEN & COOL function is completed.



NOTE Refer to the section "Soften & Cool Function" on page 11 for instruction on how to cancel operation.



HOW TO USE A TIMER PROGRAM

1. Open the dryer door and place items selected for drying evenly into the dryer drum and close the door.
2. Press the ON/OFF button, the dryer will turn ON, and defaults to the last setting that was used.
3. If not already in TIMER mode, press the TIMER button. The TIMER indicator illuminates and the TIMER SETTING indicator will also begin to flash.



The digital display will now show a set drying time from one of the pre-set times available (5, 10, 15, 20, 25, 30, 40, 50, 60, 70, 80, 90). Set time defaults to that last used.

4. To adjust the set drying time, press the UP or DOWN buttons to select the next pre-set time.
5. Press the START/PAUSE button, the TIMER SETTING indicator will go out to signify that a TIMER operation has now begun.

The OPERATION (Combustion) indicator will show green, and changes to red after the burner ignition which may take up to 10 seconds, after which drying commences. The drying time in the digital display and will also begin to be counted down in 5 minute increments until there is only 1 minute remaining.



During operation the drying time may be increased or decreased to the next pre-set time by pressing the UP or DOWN buttons.

The OPERATION (Combustion) indicator may alternate between showing green and red, and will show green towards the end of the drying cycle, however this is normal.

If the dryer door is opened during operation the dryer will be paused and resume once the door is closed.

Dryer operation will stop when the set drying time has elapsed and 3 long beeps will sound 3 times.

The OPERATION (Combustion) indicator will show green and the SOFTEN & COOL indicator will begin to flash.



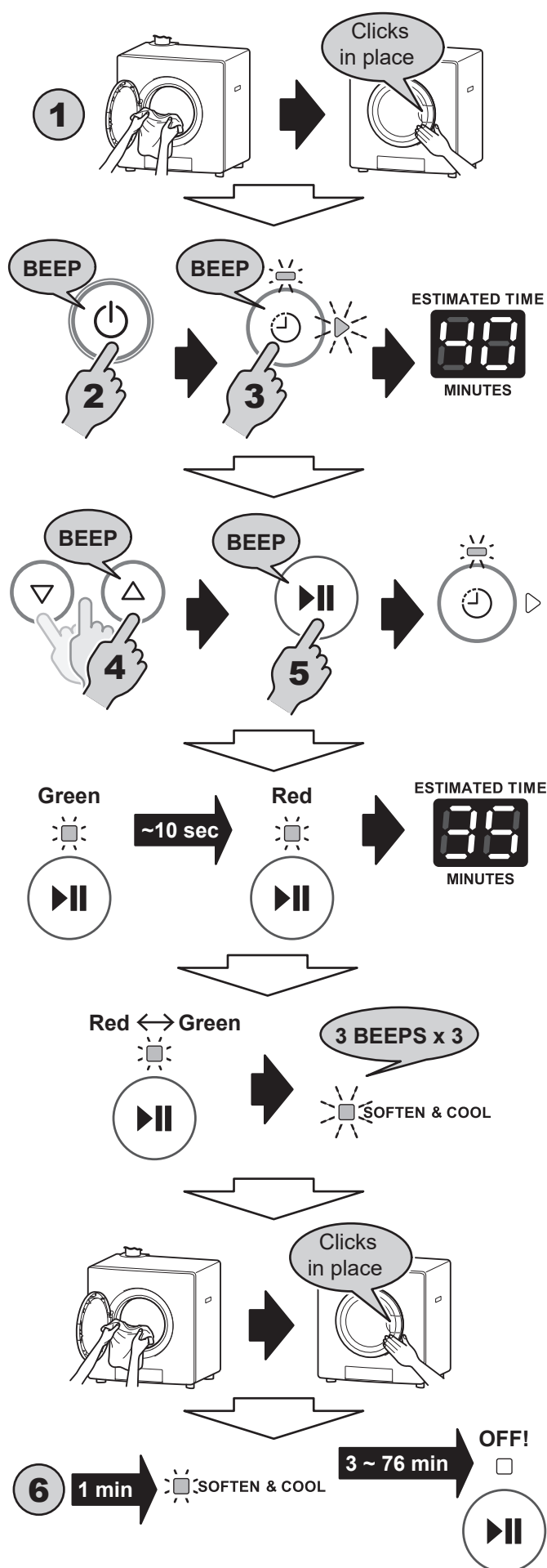
At this point the items may be removed if so desired. Before opening the dryer door, ensure the SOFTEN & COOL indicator is flashing.

If no action is taken the SOFTEN & COOL function will begin.

6. Approximately 1 minute after the dryer program finishes the SOFTEN & COOL function will begin. The SOFTEN & COOL indicator will now be flashing steadily and the dryer will automatically turn OFF once the SOFTEN & COOL function is completed.



Refer to the section "Soften & Cool Function" on page 11 for instruction on how to cancel operation.



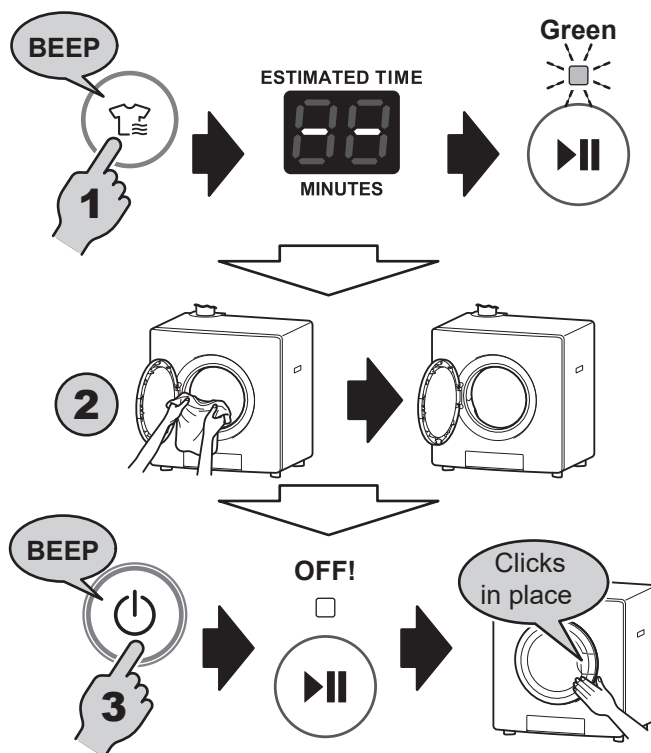
CANCELLING A SET TIMER PROGRAM

1. Press the PROGRAM button.
The digital display will now be showing two dashes and the OPERATION (Combustion) indicator will flash green and the SOFTEN & COOL Indicator will begin to flash.
2. Wait for the drum to stop rotating and then open the door. If no further drying is to take place remove all the items from the drum.
3. With the door still open press the ON/OFF button, the dryer is turned OFF and the door may now be closed.

NOTE If the door is not opened the SOFTEN & COOL function will begin.

4. Approximately 1 minute after cancelling the TIMER operation the SOFTEN & COOL function will begin, the SOFTEN & COOL indicator will now be illuminated steady.

NOTE Refer to the section "Soften & Cool Function" on page 11 for instruction on how to cancel operation.



HOW TO USE THE SELF-CLEAN PROGRAM

This mode operates with the drum empty and cleans the inside of the drum (for about three minutes). It sterilises the inside of the drum with warm air at 80°C or higher.

1. Open the dryer door and make sure there are no clothes in the drum and close the door.
2. Press the ON/OFF button, the dryer will turn ON, and defaults to the last setting that was used.
3. If not already in SELF-CLEAN mode press the SELF-CLEAN button, the SELF-CLEAN indicator illuminates. The Digital display will show a set time of 3 minutes.

NOTE The digital display will now show a fixed SELF-CLEAN time of 3 minutes this time can not be changed.

4. Press the START/PAUSE button. The OPERATION (Combustion) indicator will show green, and changes to red after the burner ignition which may take up to 10 seconds, after which drying commences. The SELF-CLEAN time in the digital display will also be counted down until there is only 1 minute remaining.

NOTE The OPERATION (Combustion) indicator may alternate between showing green and red, and will show green towards the end of the SELF-CLEAN cycle. However, this is normal.

If the dryer door is opened during operation the dryer will be paused and resume once the door is closed.

Dryer operation will stop when the fixed SELF-CLEAN time has elapsed and 3 long beeps will sound 3 times.

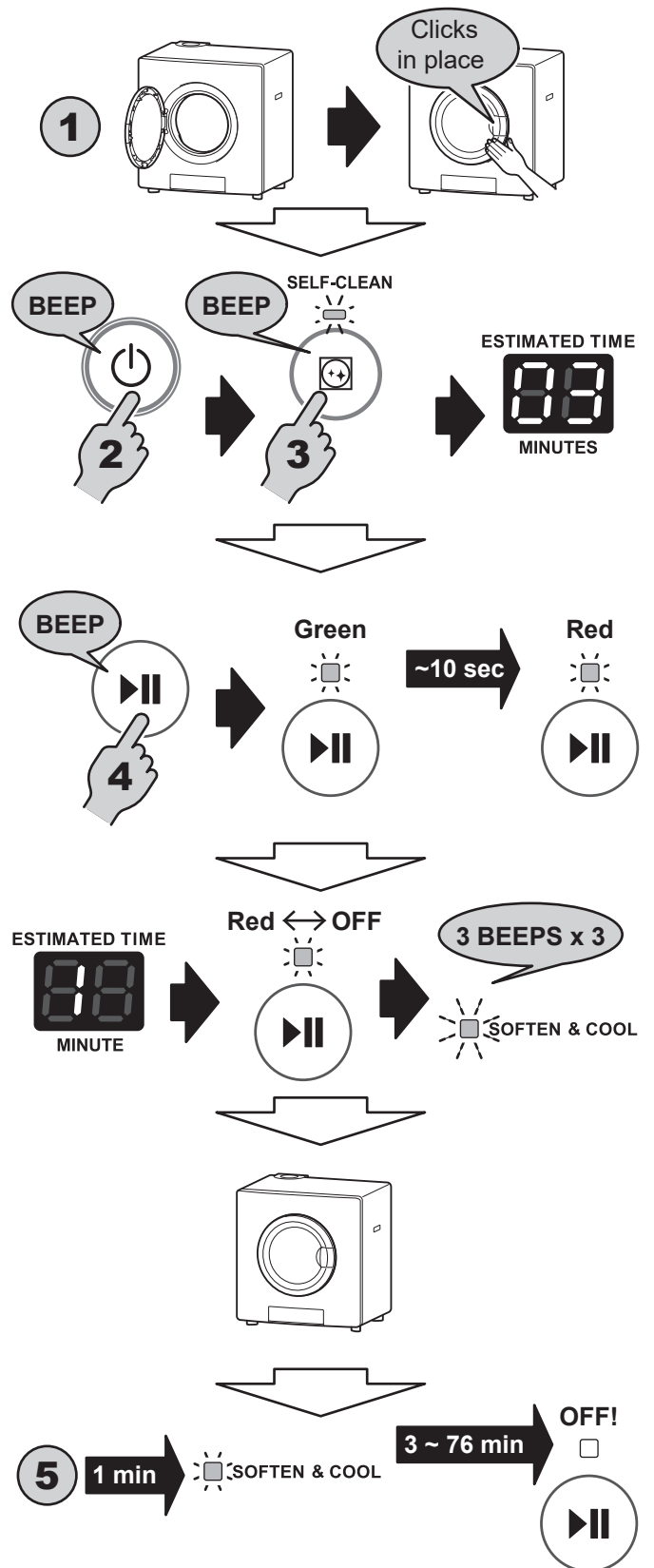
The OPERATION (Combustion) indicator will show OFF and the SOFTEN & COOL indicator will begin to flash.

NOTE At this point the items may be removed if so desired. Before opening the dryer door, ensure the SOFTEN & COOL indicator is flashing.

If no action is taken the SOFTEN & COOL function will begin.

5. Approximately 1 minute after the dryer program finishes the SOFTEN & COOL function will begin. The SOFTEN & COOL indicator will now be flashing steadily and the dryer will automatically turn OFF once the SOFTEN & COOL function is completed.

NOTE Refer to the section "Soften & Cool Function" on page 11 for instruction on how to cancel operation.



CARE & MAINTENANCE



DO NOT USE SOLVENTS FOR CLEANING THIS APPLIANCE.

CLEANING THE APPLIANCE BODY

Unplug the electrical cord before cleaning. All external parts of the appliance can be cleaned using a soft, damp cloth and mild detergent, such as mild dish washing soap.

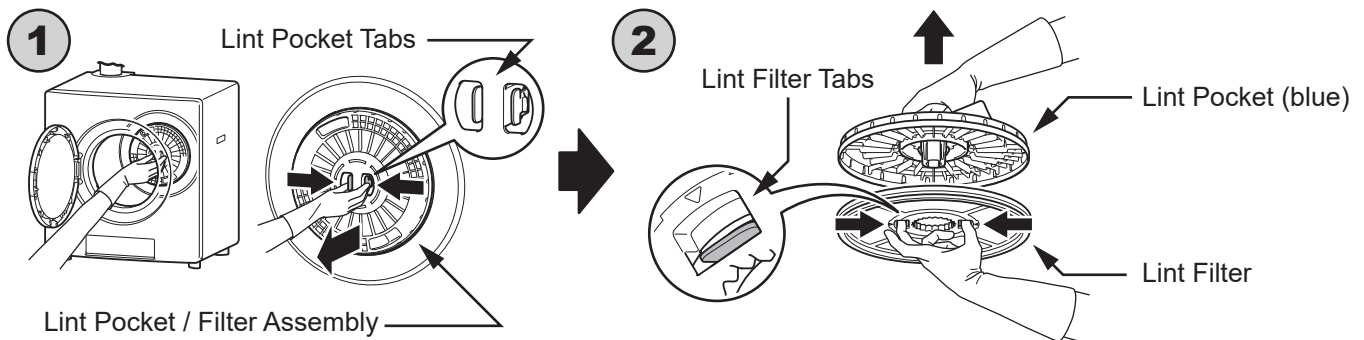
CLEANING THE LINT FILTER



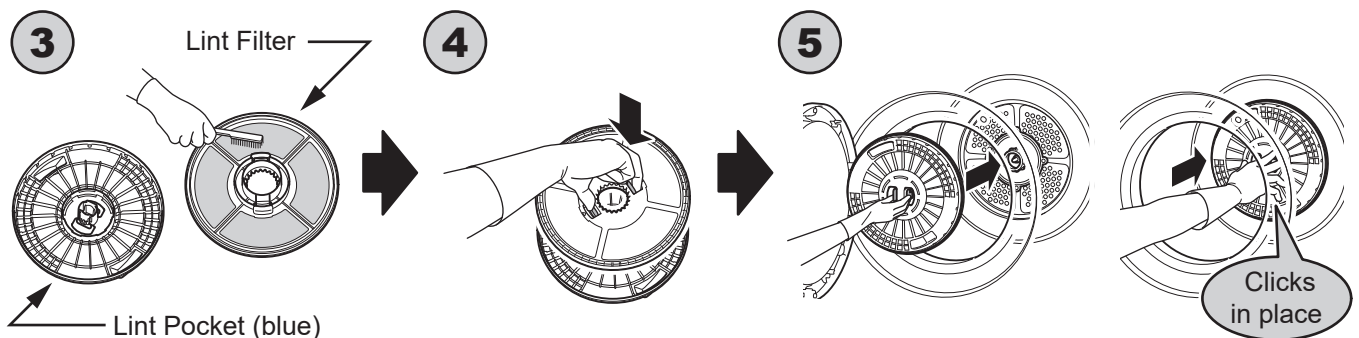
The drum may be **HOT** especially immediately after use, it is important to ensure sufficient time has passed to allow for cooling drum surfaces before attempting clean the lint filter.

The lint filter should be cleaned after every drying cycle. Regular cleaning is important to maintain drying efficiency. When the CLEAN FILTER indicator illuminates and an audible alarm signal consisting of 10 short beeps sounds after the completion of a drying operation. The lint filter is now too blocked for correct drying operations to continue and therefore the internal lint filter **MUST BE** cleaned as soon as possible. If the lint filter is not cleaned, the appliance will eventually stop operating and an 'error' code will show on the digital display. Refer to the "Trouble Shooting" on page 20 for details.

Clean the lint filter as follows:



1. Reach inside the drum of the dryer and remove the lint pocket / filter assembly from the dryer drum, do this by squeezing on the two release tabs as shown.
2. Separate the lint filter from the lint pocket by squeezing the two tabs at the back of the filter and pulling apart.



3. Remove any lint from the lint filter by using your hands, a soft cloth or a soft brush as shown. If removal of the lint proves difficult, the lint filter may also be cleaned with the assistance of COLD water and a soft cloth or brush, a mild dish washing detergent may also be used. Also consider cleaning the area inside the drum behind where the lint pocket/filter is located, using a soft cloth or brush. Ensure that any dust or lint particles removed do not remain in the drum.

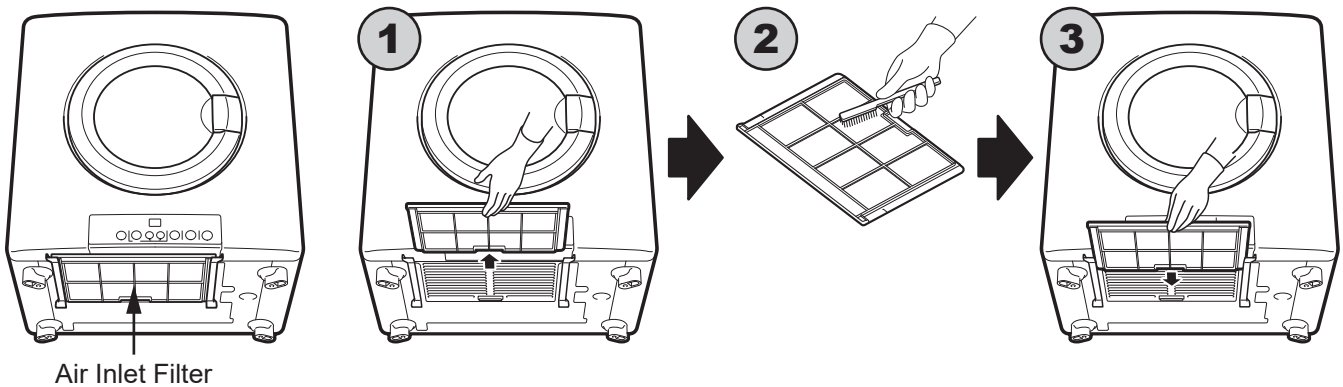


If water has been used to clean the lint filter, then the filter **MUST BE** thoroughly dried before it can be reassembled and reinstalled.

The components of the lint pocket / filter assembly are **NOT** dishwasher safe.

4. Reassemble the lint pocket / filter assembly, ensuring that both halves are locked together.
5. Place the pocket / filter assembly into the dryer drum, the assembly will CLICK into place when correctly fitted.

CLEANING THE AIR INLET FILTER



1. The air inlet filter is located at the bottom of the appliance. Pull it out as shown.
2. Remove any dust from the lint filter by using your hands, a soft cloth or a soft brush as shown. If removal of the lint proves difficult, the lint filter may also be cleaned with the assistance of COLD water and a soft cloth or brush, a mild dish washing detergent may also be used.

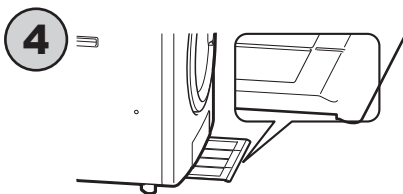


If water has been used to clean the air inlet filter, then the filter **MUST BE** thoroughly dried before it can be reassembled and reinstalled.

The air inlet filter is **NOT** dishwasher safe.

The air inlet filter **MUST NOT** be obstructed by carpets.

3. After removing dust, re-insert the air inlet filter. The sides of the filter are located and guided by rails at the bottom of the dryer body.
4. Insert the air inlet filter along the rails on the base of the main unit and push in as far as possible.



Make sure to insert the front and back of the filter in correctly.

TROUBLE SHOOTING

CHECK LIST

Please check the following list before calling for Service. Service calls may be charged if faults are caused by operation errors. Refer to the separate warranty booklet for more details.

If the dryer does not operate at all, check to see if the digital display is flashing with two numbers. If yes, refer to "Error Codes" on page 21. If no, check the following items:

- Is the gas supply turned on?
- Is the electrical plug connected to the power supply and is the power supply switched on?
- Is electrical power available? Check supply fuses are serviceable.
- Have the ON/OFF and START/PAUSE buttons been pressed in accordance with these instructions?
- Is the dryer door properly closed?
- Is the digital display flashing with two numbers?

If the dryer takes too long to dry or clothing is not drying well, check the following items:

- Is the CLEAN FILTER indicator illuminated? If yes, clean filters in accordance with instructions on page 18.
- Ensure items have been through the washing machine spin cycle before loading into the appliance for drying.
- Ensure garments for drying are not added during operation.
- Ensure the THICK automatic drying programme has been selected if thick items are being dried.

GENERAL DRYER CHARACTERISTICS

The following characteristics are part of the normal operation of the appliance and do not indicate a fault:

Indication	Explanation
The drum is turning even after the finishing signal has sounded.	Dryer is operating in SOFTEN & COOL mode. Refer to the section "SOFTEN & COOL Function" on page 11.
There is a delay after pressing the START / PAUSE button before the OPERATION indicator shows red.	It may take some time before the burner ignites and combustion starts. This is a normal characteristic, however if the burner does not ignite at all, contact Rinnai.
Steam is emitted from the discharge duct terminal.	High efficiency appliances tend to discharge steam, especially on cold days. This is normal.
There are some clicking noises after drying first starts and after the drying cycle has finished.	This is due to the expansion and contraction of burner components with heat and is a normal characteristic.
The 'time remaining' shown in the digital display has not changed for a number of minutes.	During operation when using Automatic Programs, the control system continually calculates the remaining drying time based on the rate of drying of the items being dried. This is a normal characteristic.

SERVICE



Faults caused by insufficient gas supply, gas quality, installation errors or operation errors are **NOT** covered by the Rinnai warranty. Refer to separate warranty booklet for details.

When making a service enquiry, having both the model and serial numbers available, will help our staff quickly identify your appliance and better attend to your needs.

This information should have been copied to the "Installation Record" on page 34 by your installer, however if this is not the case, the information can also be found on the data plate located on the right hand side of the appliance.

This appliance does not contain user serviceable parts and **MUST ONLY** be serviced and repaired by an authorised person. Rinnai has a Service and Spare Parts network with personnel who are fully trained and equipped to give the best service on your Rinnai appliance. If your appliance requires service, please call our National Help Line (contact numbers for which are on the back cover of this manual).

Rinnai recommends that this appliance be serviced every 2 years.

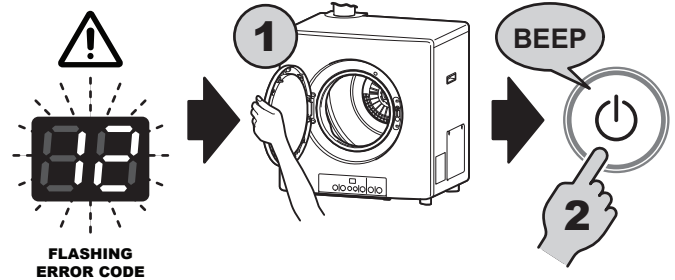
ERROR CODES

Your Rinnai Gas Dryer has a self diagnostic capability. If a fault occurs, an error code will flash on the digital monitor. This assists with diagnosing the fault, and may enable you to overcome a problem without a service call. Please quote the code displayed when enquiring about service.



Check error code details / actions in the table below, if advised to do so clear the error code as follows:

1. Open the door (wait for the drum to stop rotating).
2. Press the ON/OFF button to clear the error condition this will also turn OFF the appliance.



Error Code	Description	User Remedy	Further Action
00	Codes displays when the appliance is turned on after power disruption and press	Reset error and retry last operation.	
05 32 61 90	Filter blockage.	Check lint filter is not blocked, clean lint filter. Check that thin poor non-breathable materials in the drum are not blocking the lint filter, rearrange the drying load as required. Check that the drum is not overloaded with too many items, reduce the drying load as required. Check that air inlet filter is not blocked.	Service call
11	No ignition / No gas supply.	Check gas is turned on at the gas meter or cylinder. Reset error and retry last operation.	Service call.
12	Flame Failure / Low gas flow.	Check gas is turned on at the gas meter or cylinder. Check that air inlet filter is blocked. Check that there is sufficient ventilation in the room. Reset the error and retry operation.	Service call.
15	Discharge duct blockage.	Check that flue outlet is not blocked or obstructed CAUTION FLUE MY BE HOT. Reset error and retry operation.	Service call.
16	Over Temperature Warning.	Check that thin poor non-breathable materials in the drum are not blocking the lint filter, rearrange the drying load as required. Check that the drum is not overloaded with too many items, reduce the drying load as required. Reset error and retry last operation.	Service call.
24	START / PAUSE button fault.	Reset error & retry operation.	Service call.
45 79	Drum rotation fault.	Check that the drying load in the drum is not out of balance or whether the drum has been overloaded with too many items, rearrange and or reduce the drying load as required. Reset error and retry last operation.	Service call.
62	Ignition failure.	Occurs after 5 consecutive ignition failures. Check gas is turned on at the gas meter or cylinder. Reset error and retry last operation.	Service call.
Blank	Safety device activated.	Check power is connected and or turned ON.	Service call.

In all cases if the error code still remains, contact Rinnai for advice.



INSTALLATION TABLE OF CONTENTS

Operation Table of Contents	3
General Installation Information	24
Regulations	24
Appliance Location	24
Gas Connection	24
Electrical Supply	25
Appliance Mounting Options	25
Wall Mounting Bracket Assembly	27
Wall Mounting Bracket & Dryer Installation	27
Changing Door Opening Direction	28
Ventilation, Exhaust & Clearances	30
Ventilation of an Enclosed Installation	30
Exhaust Duct System	30
Exhaust Duct Installation Options And Clearances	31
Horizontal Terminal Clearances	32
Internal Clearances	33
Attaching the Appliance Adaptor Spigot	33
Attaching Exhaust Duct Lengths	33
Attaching Horizontal Wall Terminal	33
Attaching Vertical Roof Terminal	33
Commissioning	34
Testing	34
Gas Pressure Setting	34
Wiring Diagram	34
Installation Record	34
Specifications	35
Appliance Details and Dimensions	35
Warranty	36
Warranty Terms	36
Definitions	36
Warranty Conditions	36
Warranty Exclusions	37
Contacts	40

GENERAL INSTALLATION INFORMATION

REGULATIONS



INSTALLATION, SERVICE AND REMOVAL MUST BE BY AN AUTHORISED PERSON ONLY.

It is the installer's responsibility to ensure all current AS/NZS 5601, AS/NZS 3000 and AS/NZS 3500 requirements are met. Remove transit protection, check for damage, if any is found **DO NOT** install and contact supplier.

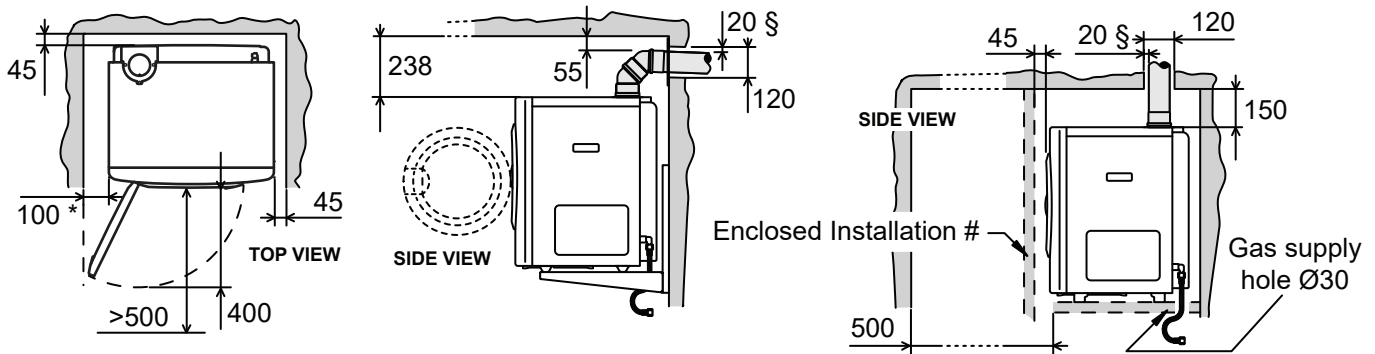
This appliance must be installed in accordance with:

- Manufacturers' Installation Instructions
- Local gas fitting regulations
- Local regulations and municipal building codes including local OH&S requirements
- Any other relevant Statutory Regulations

APPLIANCE LOCATION

The main considerations when positioning the dryer are:

- Ensuring all minimum clearance requirements as shown are met.
- The location / termination of the exhaust duct system and terminal (To comply with AS/NZS 5601).
- Allowing sufficient access for ease of operation, servicing and removal of the appliance.
- Ensuring there is access to the exhaust duct connection, gas connection and air inlet filter to the appliance in the installed position.
- Ensuring there is enough 'flex' in the flexible gas hose when the appliance is in the installed position to allow for vibration which may occur during operation.
- Ensuring a 20mm (§) minimum clearance between the exhaust duct and any combustible materials.
- Ensuring that a 100mm (*) gap is provided for the opening swing of the dryer door. The dryer door can be hinged from the left or right hand sides and therefore a gap must be provided appropriately.



Chemicals or flammable materials **MUST NOT** be stored near the appliance or the exhaust duct. This applies especially if the dryer is positioned onto shelves or inside a cupboard.



When installed inside a cabinet, open the door when using the dryer. Incomplete combustion or overheating of the equipment may cause carbon monoxide poisoning, burns or equipment failure.

GAS CONNECTION

The position of the gas connection is shown in "Appliance Details and Dimensions" on page 35. The installer shall supply a 300mm braided flexible gas hose with a 1/2" female flared fitting for connection to the consumer piping. The flexible gas hose shall be certified and comply to AS/NZS 1869. For gas supply pressures, refer to the table on page 2 of the Commissioning Instruction that is included with the appliance.



The connection between the gas supply consumer piping and the flexible 300mm gas hose flared connection must be accessible for disconnection and reconnection when the appliance is in the final installed position. There must be enough 'flex' in the flexible gas hose when the dryer is installed to allow for any vibration of the dryer that may occur during operation.

Gas pipe sizing must consider the gas input to this appliance as well as all other gas appliances in the premises. The gas meter and regulator must be specified for the total gas rate. Suitable sizing chart such as the one in AS/NZS 5601 should be used.

Refer to "Commissioning" / "Testing" on page 34 before finalising the gas connections and operating the appliance.

ELECTRICAL SUPPLY

This appliance is supplied with a 1.5 metre long power cord with a three pin plug. Rinnai recommends that the dryer be plugged into a dedicated 230V,10A earthed power point.

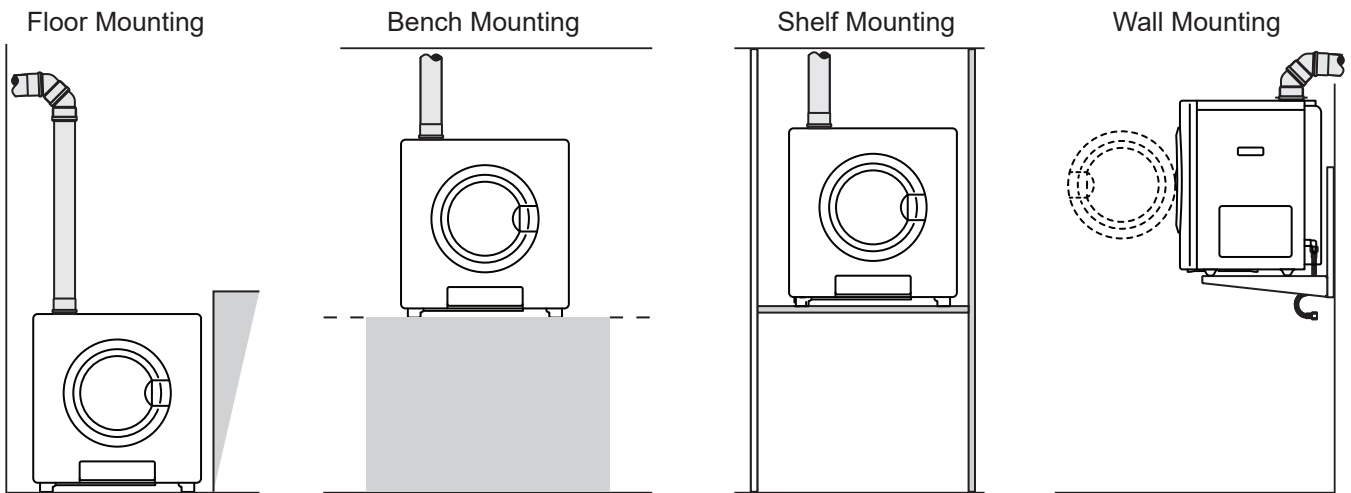
Alternatively the appliance can be direct wired if the power supply is to be concealed.



Consult a qualified electrician if direct wiring is required as it must comply with the requirements of AS/NZS 5601, AS/NZS 3000 and any other relevant local regulations.

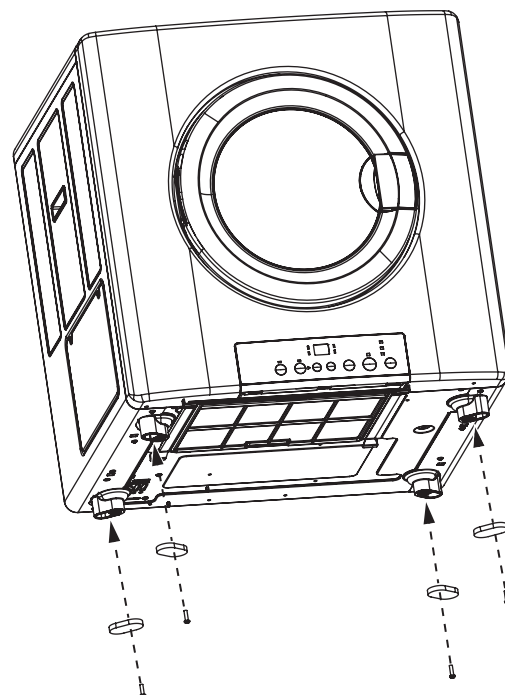
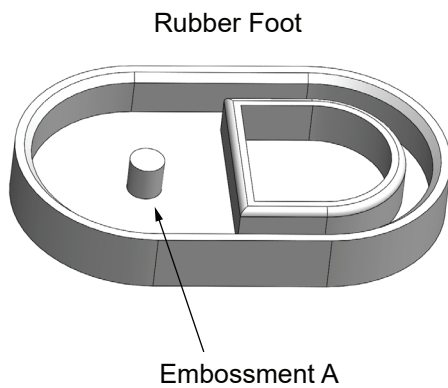
APPLIANCE MOUNTING OPTIONS

Rinnai gas dryers may be floor, bench, shelf or wall mounted.



Installing Rubber Feet

The rubber feet must be inserted before mounting the dryer on the bracket, bench top, or shelf. Before fitting the rubber feet, cut the 'Embossment A', using a knife, in that process creating a hole of a size no greater than 5mm to allow for the mounting screw. Then fit all four rubber feet onto the plastic molded feet as shown below.



Floor Mounting

There are no specific requirements for floor mounting of the appliance other than those that are listed under "Appliance Location" on page 24. When appliance is floor mounted, 'Embossment A' on the rubber feet does not need to be cut out.

Bench or Shelf Mounting

Position the appliance in accordance with the requirements listed under "Appliance Location" on page 24.

When bench or shelf mounted, the appliance is supported by the four 'feet' at the base of the appliance. These need to be fastened or secured to the bench or shelf.

Create threads on all four mounting holes on the unit by screwing the supplied screws all the way through and then remove them. Then use appropriate screws (field supplied) to attach the dryer onto the bench.

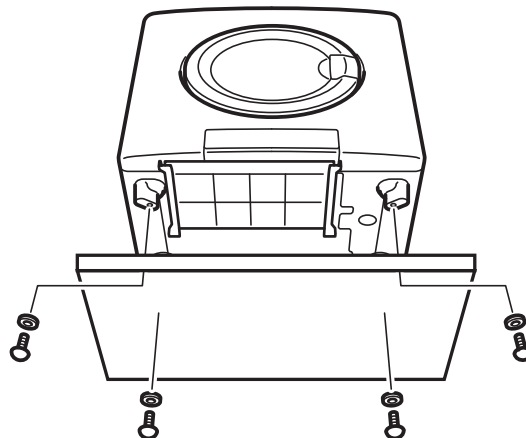


If the screws used are too long, they may cause damage to the dryer.

The recommended length of screw is 35mm plus thickness of the bench. The following items must be considered:

The bench or shelf and its support(s) should be of sufficient strength and construction to support the weight of a fully loaded dryer plus the weight of any other goods it is intended to support. The loaded weight allowances is 55kg.

Stability of the appliance. The bench or shelf dimension must have at least the same width and depth as that of the appliance to provide sufficient area to support the four 'feet' at the base of the appliance and allow for slight movement that may occur during operation.



Wall Mounting

Position the appliance in accordance with the requirements listed under "Appliance Location" on page 24.

If the dryer is to be wall mounted, the following must be considered:

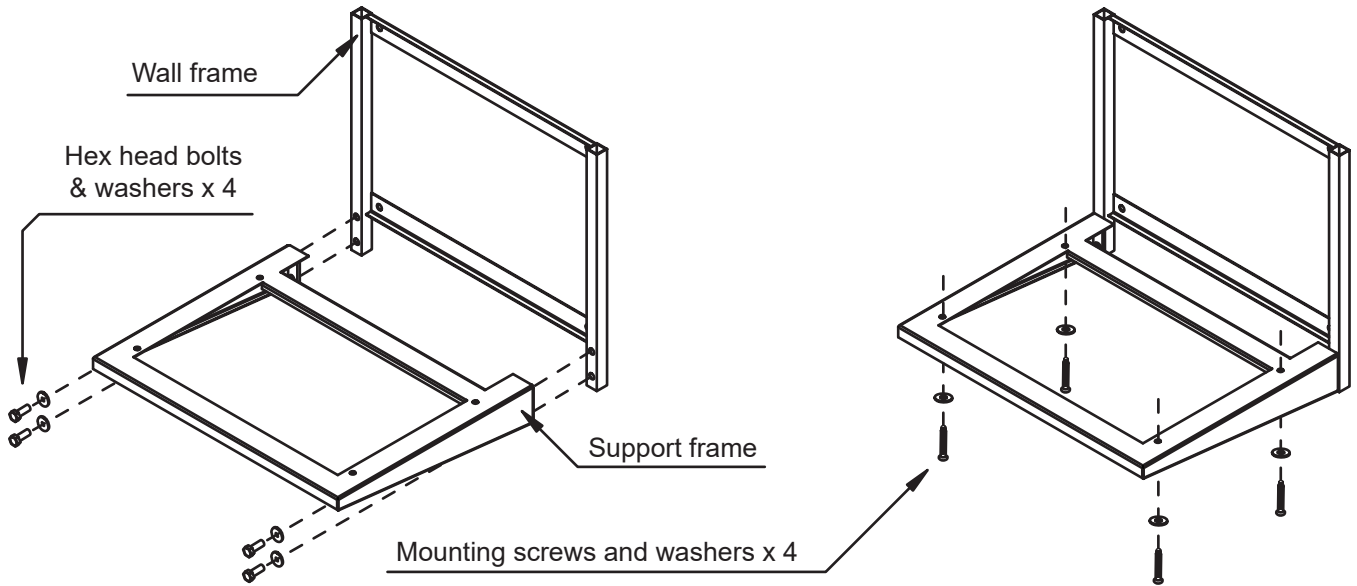
Only the Rinnai wall mounting bracket must be used DS9BKT. Alternative brackets or wall mounting options are unsuitable.

The wall and method for fastening the wall mounting bracket to the wall must be of sufficient strength and construction to support the weight of a fully loaded dryer. The loaded weight allowances is 70 kg.

The four 'feet' at the base of the appliance must be securely fastened to the base of the mounting bracket using the 4 mounting screws supplied ("Wall Mounting Bracket & Dryer Installation" on page 27).

WALL MOUNTING BRACKET ASSEMBLY

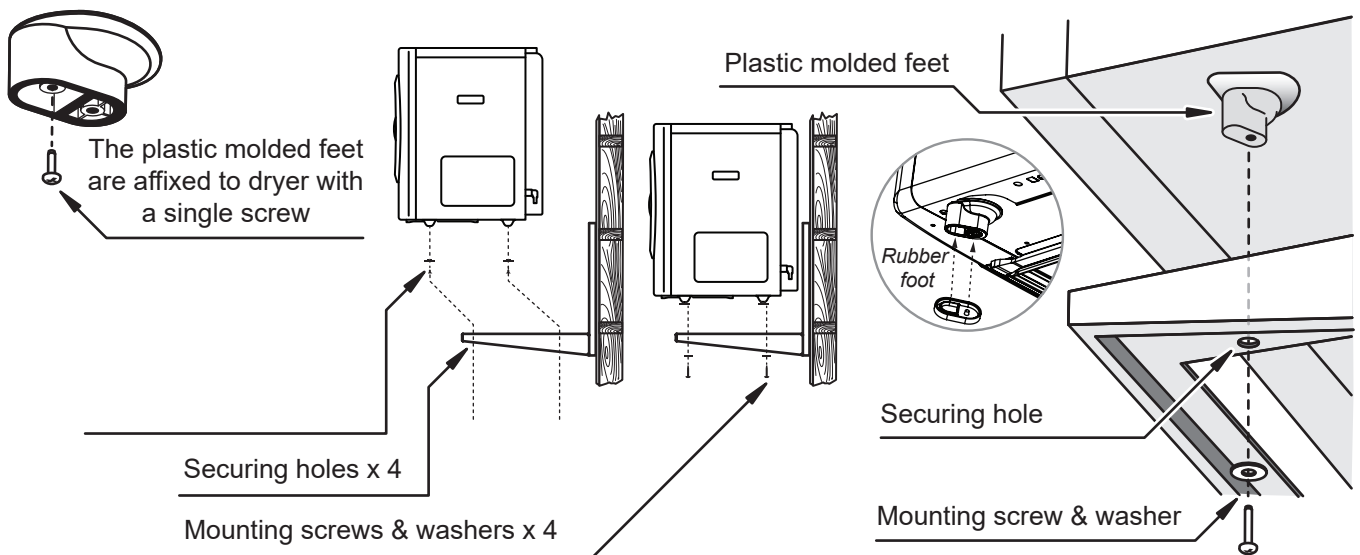
The wall mounting bracket is provided in kit form with the following components:



- 1 x Wall Frame
- 1 x Support Frame
- 4 x Hex Head Bolts and Washers
- 4 x Mounting Screws and Washers

Some minor assembly is required before the wall mounting bracket can be fixed to the wall. To assemble the wall mounting bracket use the four hex head bolts and washers provided and securely attach the support frame to the wall frame. Attached the wall mounting bracket to a suitable wall with appropriate fixings (not supplied).

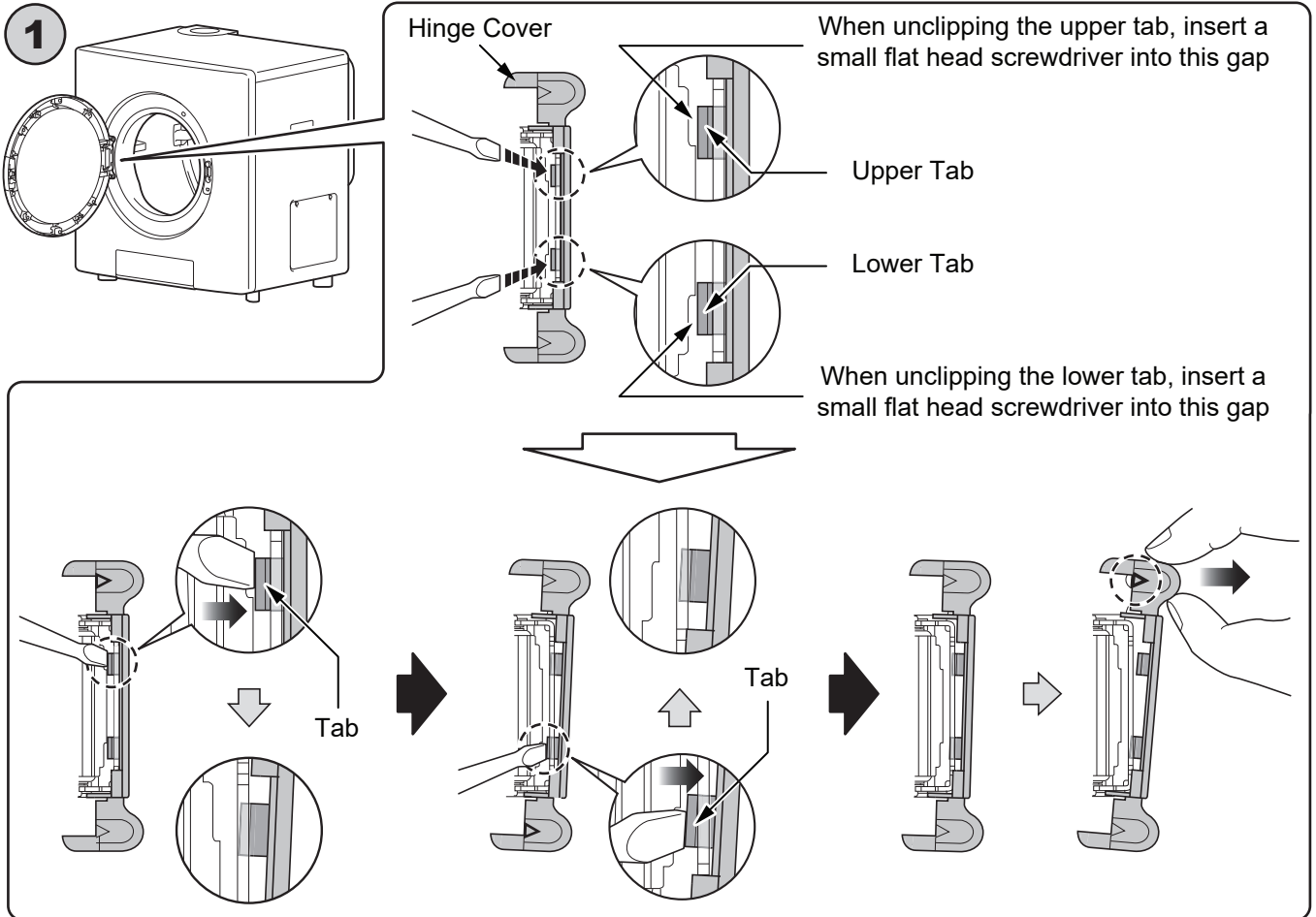
WALL MOUNTING BRACKET & DRYER INSTALLATION



1. Attach the tabbed mounting plates x 4 (supplied with dryer) onto mounting points, ensure the tabs of these plates align with the 2 holes in the mounting points. Secure in place using the provided countersunk screws.
2. Lift the dryer onto the installed wall mounting bracket taking care to locate the four securing holes of the support frame with the four rear most holes of the installed mounting plates.
3. Secure the dryer to the frame through the rear most holes of the tabbed mounting plates using the four mounting screws and washers provided with the wall mounting bracket.

CHANGING DOOR OPENING DIRECTION

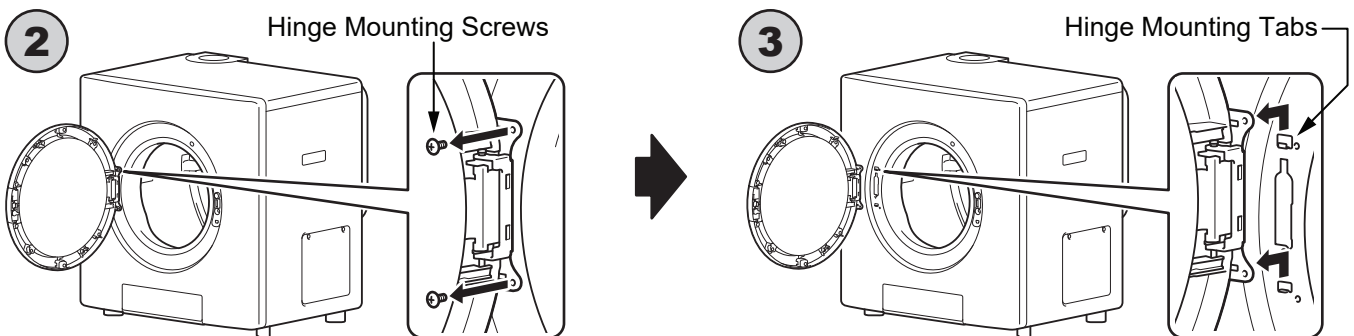
The dryer access door may be swapped from a left handed opening as supplied from the factory to a right handed opening. When changing door opening direction ensure the appropriate clearances are provided. Refer to Position the appliance in accordance with the requirements listed under "Appliance Location" on page 24. for clearance details.



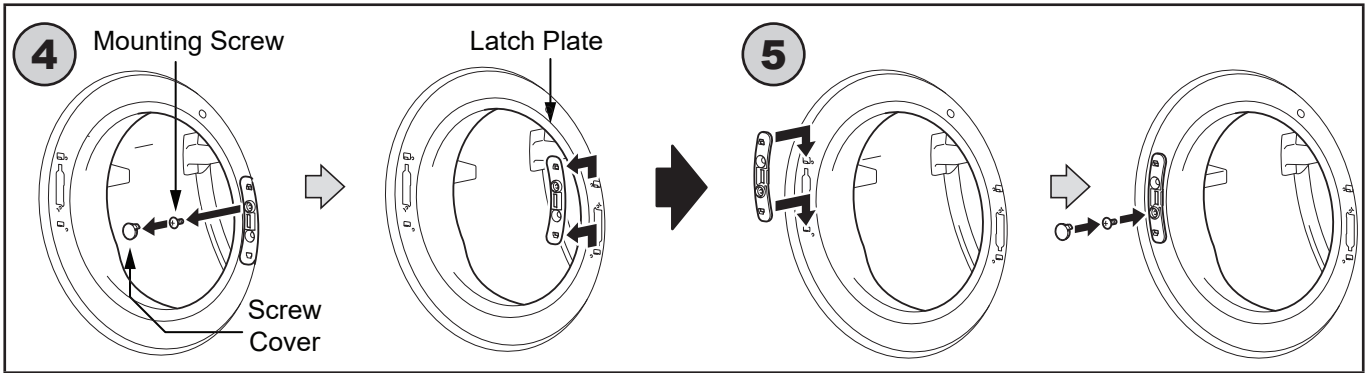
1. Carefully insert a small flat headed screwdriver into the upper gap (as shown above) and gently pry the hinge cover towards the direction of the ▷ marking, until the upper tab is unclipped from its slot.

Repeat the above process in the lower gap until the lower tab is unclipped from its slot.

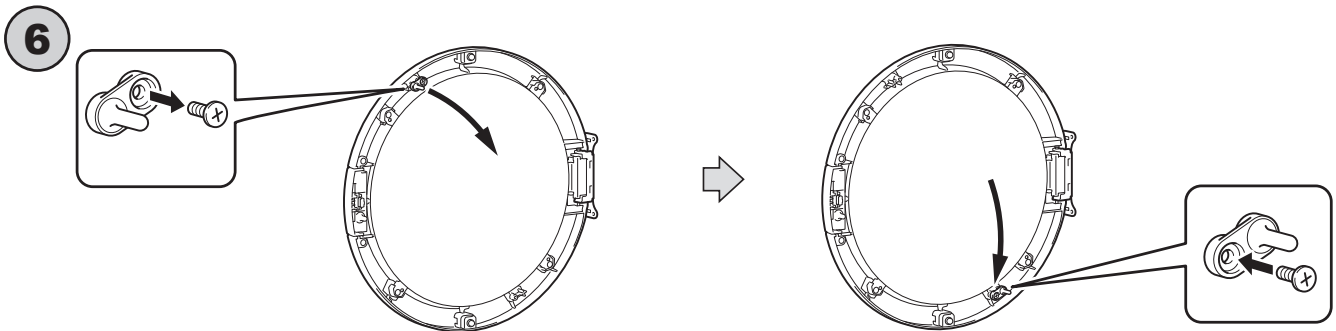
Once both tabs have been unclipped, use your fingers to carefully pull the hinge cover off in the direction of the ▷ marking(s) until removed. **DO NOT** discard the hinge cover, as it will be reinstalled in step 8.



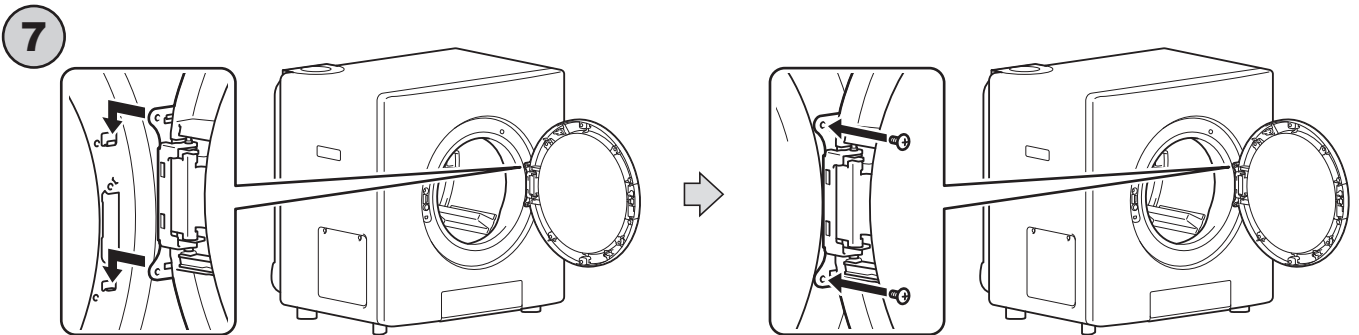
2. While holding onto the door to prevent it from dropping, remove the two hinge mounting screws.
3. Lift the door upwards off the locating tabs, and place both the door and screws safely to one side.



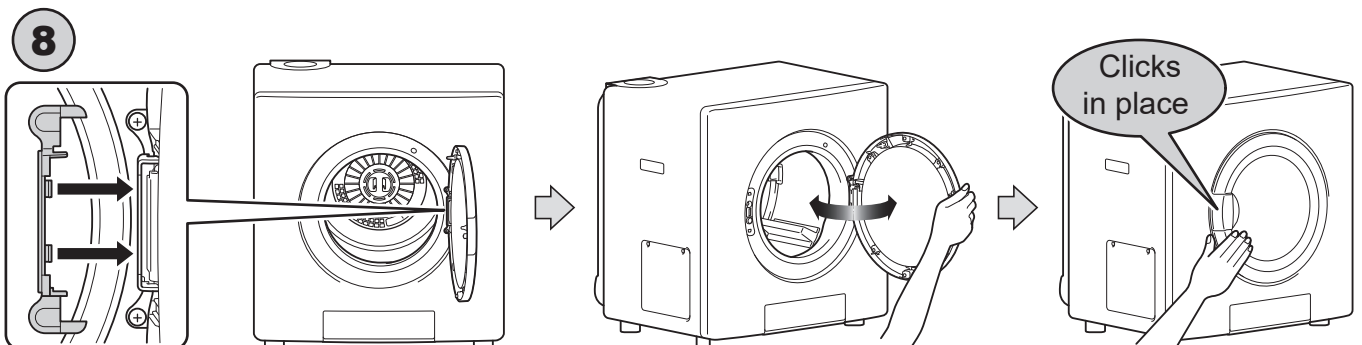
4. Remove the small circular screw cover from the latch plate, remove the single mounting screw for the latch plate and gently remove the latch plate off the locating tabs.
5. Rotate the latch plate 180° and reinstall it onto the left side of the tub opening, following the reverse order to that in the step 4 above.



6. From inside of the door, unscrew the door switch nub and reinstall to the diagonally opposite mounting point.



7. Remount door hinge onto the tabs on the right side of the tub following the reverse order to that in steps 2 & 3.



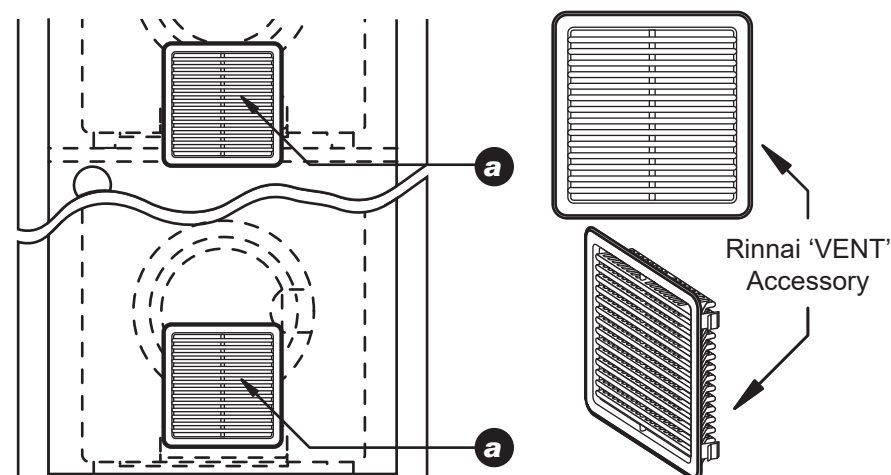
8. Clip the plastic hinge cover plate back over the hinge and check that the door is working correctly.

VENTILATION, EXHAUST & CLEARANCES

VENTILATION OF AN ENCLOSED INSTALLATION

When the dryer is enclosed the access door of an enclosed installation must be vented with a minimum open area of 250cm² of free air (a).

The Rinnai 'VENT' accessory is suitable for this purpose



EXHAUST DUCT SYSTEM

Rinnai gas dryers must be installed with Rinnai gas dryer exhaust duct components. Two exhaust duct kits are available, DFVKIT - vertical exhaust kit and DSHKIT horizontal exhaust duct kit. Each kit consists of rigid aluminium pipes (can be cut to length as required) and vertical or horizontal terminals, stand-off brackets, rigid bends and an internal wall plate. Additional pipes and bends are available separately if the contents of the basic kits do not meet the installations requirements.



Exhaust products from gas dryers **MUST NOT** be discharged into existing 'natural draft' flue systems associated with other gas appliances.

The exhaust duct(s) from multiple Rinnai gas dryers **MUST NOT** be combined into a common discharge and **MUST NOT** be combined with flue or exhaust duct systems from other appliances.

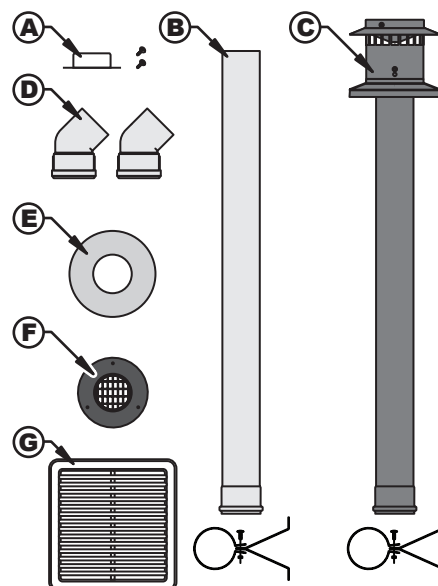
The gas dryer is classified as a 'fan assisted flue appliance' in AS/NZS 5601 'Gas Installations'. It **MUST** be located so that the exhaust duct terminal exits the building at a suitable point.

If the horizontal (wall) terminal is used, the location **MUST** be in accordance with Section 6 and Figure 6.2 of AS/NZS 5601. If a vertical (roof) terminal is used, the location **MUST** be in accordance with Section 6 of AS/NZS 5601.

DSVKIT, Vertical Exhaust Duct Kit	
DSFPIPE1000 x 2	DSVCOWL x 1
DSFPLATE x 1	

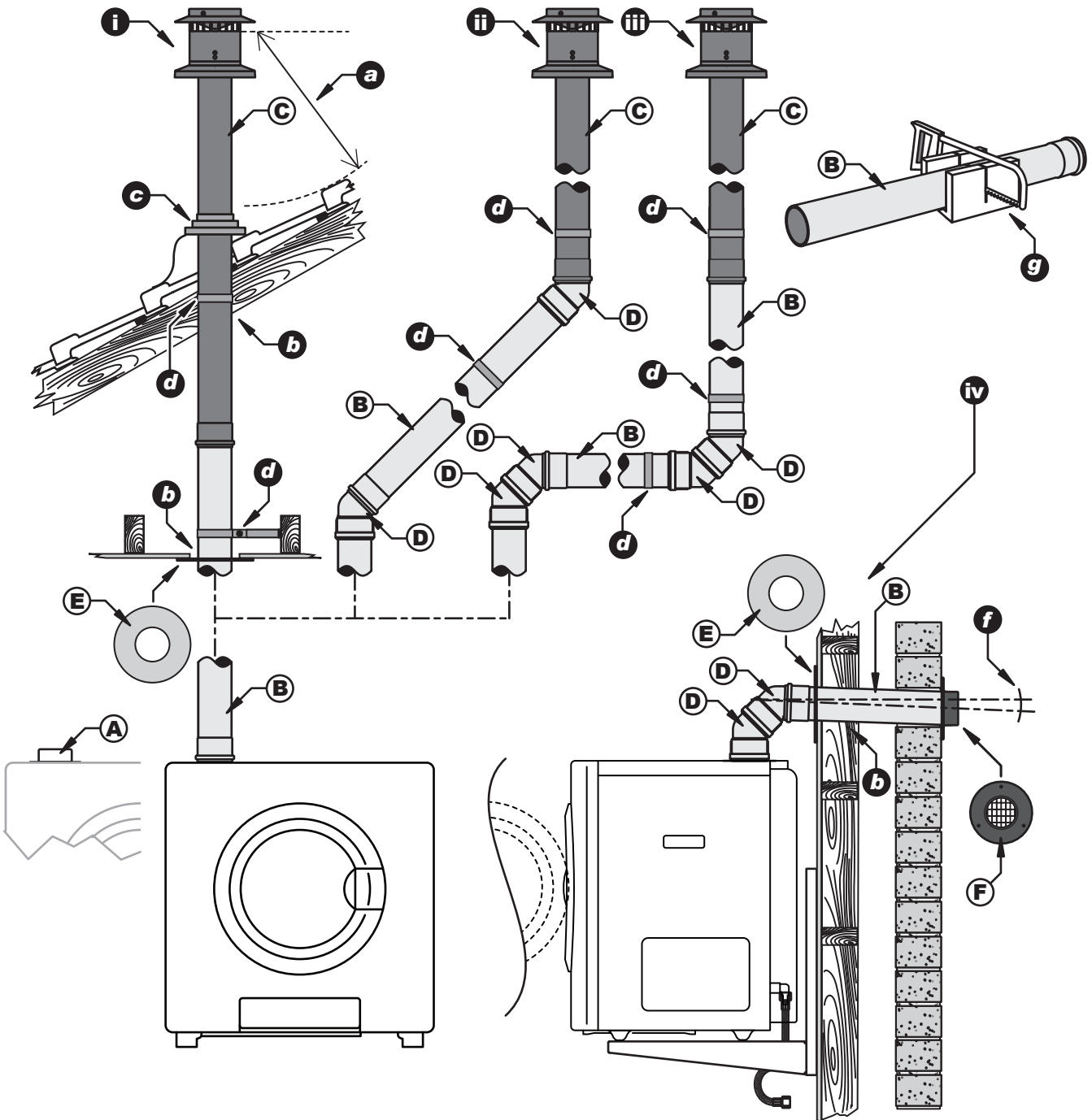
DSHKIT, Horizontal Exhaust Duct Kit	
DSFPIPE1000 x 1	DSFBEND x 1
DSFPLATE x 1	DSHCOWL x 1

- A.** DSFSPIGOT
Appliance adapter spigot (supplied with appliance).
- B.** DSFPIPE1000
Duct pipe 1000mm and stand-off clip (installed length 950mm, can be cut to length as required).
- C.** DSVCOWL
Vertical roof terminal 1060mm and stand-off clip (installed length to exhaust outlet 900mm).
- D.** DSFBEND
Pair of 45° elbows.
- E.** DSFPLATE
Internal wall plate.
- F.** DSHCOWL
Horizontal wall terminal.
- G.** G. VENT
Air vent, provides an open area of 250 cm² (x 2).



EXHAUST DUCT INSTALLATION OPTIONS AND CLEARANCES

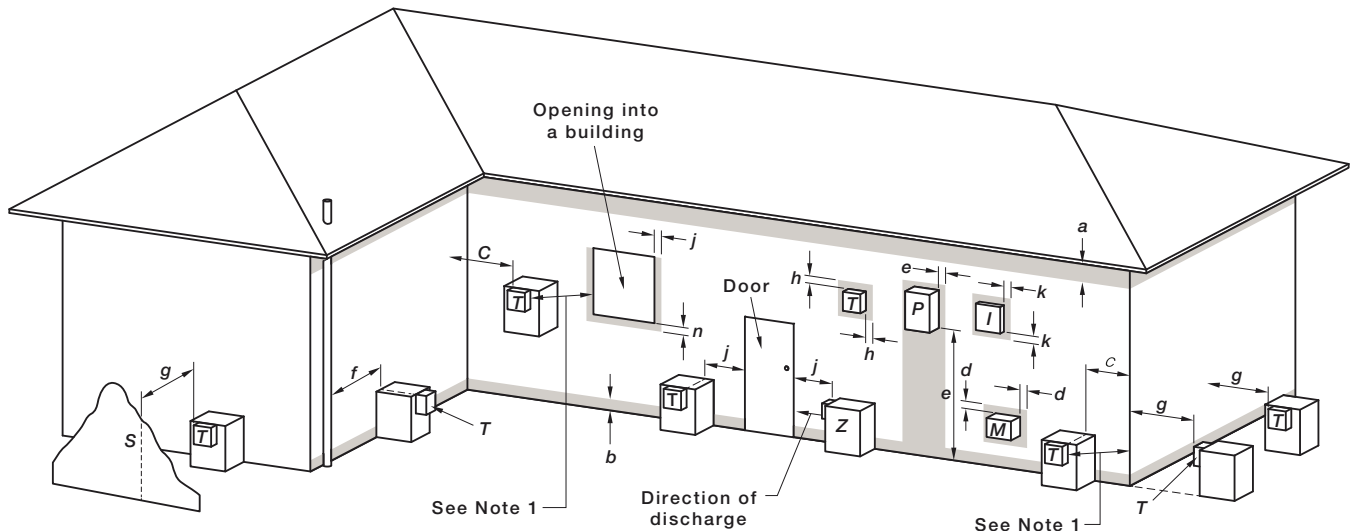
The following are the four most common exhaust duct installation methods. The exhaust duct length can be up to 8 metres long with a maximum of two 90° bends:



- i.** Direct Vertical.
- ii.** Offset Vertical.
- iii.** Extended Vertical.
- iv.** Direct or Extended Horizontal.
- a.** Min clearance 500mm to nearest part of roof.
- b.** Min clearance 20mm to combustible materials.
- c.** Decktite or other non lead based flashing, to be provided by installer.
- d.** The weight of the exhaust duct **MUST BE** supported by the stand-off supplied and **NOT** by the dryer.
- e.** A constant 2° fall to the terminal **MUST BE** maintained on horizontal installations.
- f.** 'DSFPIPE1000' (B) can be cut to length as is required, provided that a clean square edge is maintained and that a min penetration of 50mm remains to join other exhaust duct components.

HORIZONTAL TERMINAL CLEARANCES

(Extract from AS/NZS 5601)



LEGEND:

I = Mechanical air inlet **M** = Gas meter **P** = Electricity meter or fuse box **Shading** indicates prohibited area for flue terminals
S = Structure **T** = Flue terminal **Z** = Fan-assisted appliance only

Ref.	Item	Min. Clearances (mm)
		Fan assisted
a	Below eaves, balconies and other projections:	
	For appliances up to 50 MJ/h input	200
	For appliances over 50 MJ/h input	300
b	From the ground, above a balcony or other surface *	300
c	Front a return wall or external corner *	300
d	From a gas meter (M) (see Note 5) (see Clause 5.11.5.9 for vent terminal location of regulator) (see Table 6.7 for New Zealand requirements)	1000
e	From an electricity meter or fuse box (P) † (see Note 5)	500
f	From a drain pipe or soil pipe	75
g	Horizontally from any building structure* = or obstruction facing a terminal	500
h	From any other flue terminal, cowl, or combustion air intake *	300
j	Horizontally from an openable window, door, non-mechanical air inlet, or any other opening into a building with the exception of sub-floor ventilation:	
	Appliances up to 150 MJ/h input *	300
	Appliances over 150 MJ/h input up to 200 MJ/h input *	300
	Appliances over 200 MJ/h input up to 250 MJ/h input *	500
	Appliances over 250 MJ/h input *	1500
k	All fan-assisted flue appliances, in the direction of discharge	1500
k	From a mechanical air inlet, including a spa blower	1000
n	Vertically below an openable window, non-mechanical air inlet, or any other opening into a building with the exception of sub-floor ventilation:	
	Space heaters up to 50 MJ/hr input	150
	Other appliances up to 50 MJ/hr input	500
	Appliances over 50 MJ/h input and up to 150 MJ/h input	1000
	Appliances over 150 MJ/h input	1500

* Unless appliance is certified for closer installation.

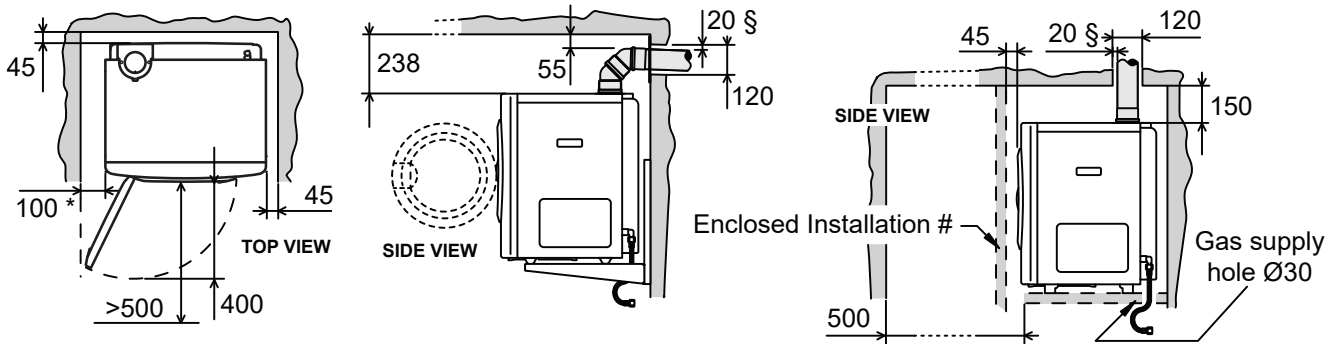
† Prohibited area below electricity meter or fuse box extends to ground level.

NOTES:

- Where dimensions c, j or k cannot be achieved an equivalent horizontal distance measured diagonally from the nearest discharge point of the terminal to the opening may be deemed by the Technical Regulator to comply.
- See Clause 6.9.4 for restrictions on a flue terminal under a covered area.
- See Figure J3 for clearances required from a flue terminal to an LP Gas cylinder. A flue terminal is considered to be a source of ignition.
- For minimum clearances not addressed above acceptance should be obtained from the Technical Regulator.
- Minimum clearances d and e also apply to any combustion air intake openings of appliances.

FIGURE 6.2 (in-part) LOCATION OF FLUE TERMINALS OF BALANCED FLUE, ROOM-SEALED, FAN-ASSISTED OR OUTDOOR APPLIANCES

INTERNAL CLEARANCES

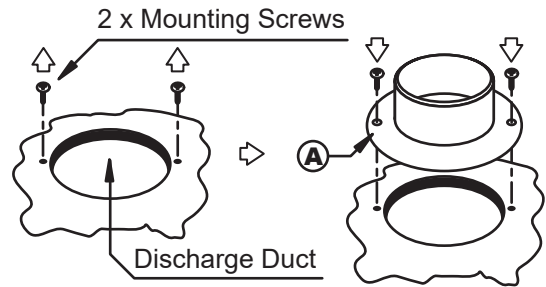


ATTACHING THE APPLIANCE ADAPTOR SPIGOT

Locate and remove the two mounting screws from either side of the discharge duct, top left rear corner of the dryer, **DO NOT** discard.

Retrieve the appliance adapter spigot DSFSPIGOT (A), which is shipped inside the drum of the dryer.

Attach the DSFSPIGOT (A) to the discharge duct using the two mounting screws removed earlier, so that the flange of the spigot is seated flush with the top panel of the dryer.



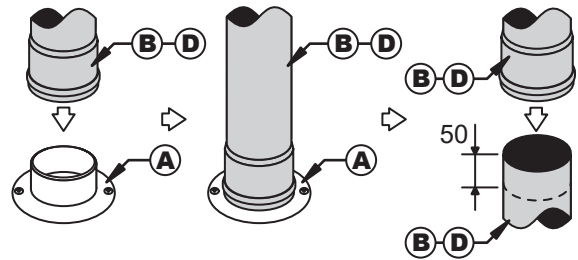
ATTACHING EXHAUST DUCT LENGTHS

The exhaust duct components DSFPIPE1000 (B), and DSFBEND (D), may be connected directly to the appliance adaptor spigot (A).

With the female socket end facing down, slide the selected exhaust duct component over the DSFSPIGOT (A) until the female socket fully engages the spigot by 50mm.

Fit further exhaust duct components as required, maintaining the 'female socket end down' orientation for the entire duct run to the termination.

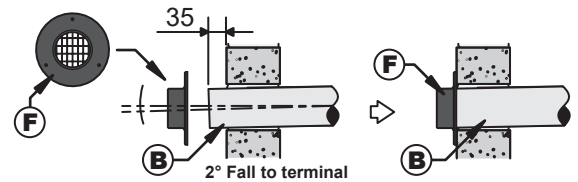
Ensure that each female socket fully engages the male ends by 50mm.



ATTACHING HORIZONTAL WALL TERMINAL

The DSHCOWL (F) is fitted flush to the wall surface over a 35mm external wall penetration of a DSFPIPE1000 (B).

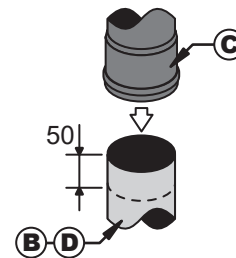
Secure the DSHCOWL (F) using the 3 fixing holes provided in the wall flange.



ATTACHING VERTICAL ROOF TERMINAL

The DSVCOWL (C) is fitted directly to either a DSFPIPE1000 (B) or DSFBEND (D).

Ensure that the female socket fully engages the male end by 50mm.



COMMISSIONING

TESTING

1. Before connection of the gas supply, purge the supply lines as debris or swarf in the lines may cause damage.
2. After connection test for leaks and gas escapes at the appliance connections.
3. Turn the power 'on' at the power point socket and turn on gas.
4. Confirm appliance operation in accordance with the Operation instructions starting on page 7
5. After testing is completed, explain to the householder the functions and operation of the dryer. Ensure the "Installation Record" on page 34 is filled in and that this booklet is handed to the customer. Reminding the customer to complete the Warranty Card and forward to Rinnai.

GAS PRESSURE SETTING

The regulator is electronically controlled and factory pre-set. Under normal circumstances it does not require adjustment during installation. Make adjustments only if the unit is not operating correctly and all other possible causes for incorrect operation have been eliminated. Gas pressure setting instructions are in the service manual for this appliance.



For all injector size and gas pressure values refer to the appliance data plate, located on the right hand side of the appliance.

WIRING DIAGRAM

The wiring diagram is located on the inside of the right hand access panel of the appliance.

INSTALLATION RECORD

The Installation Record is a reference for the end user, help line staff and service technicians. Ensuring that this information is available here will be helpful in the event that a service enquiry is required.

Installation Details

Installation Company Name: _____

Address: _____

Telephone / Mobile Phone: _____ / _____

Email: _____

Certificate of Compliance / Certification No.: _____

Authorised Persons - Licence No.: _____

Installers Name: _____

Installers Signature: _____

Installation Date: _____

Model Number * _____

Serial Number * _____

Installation Address: _____

** This information will need to be copied from the data plate, located on the right hand side of appliance.*

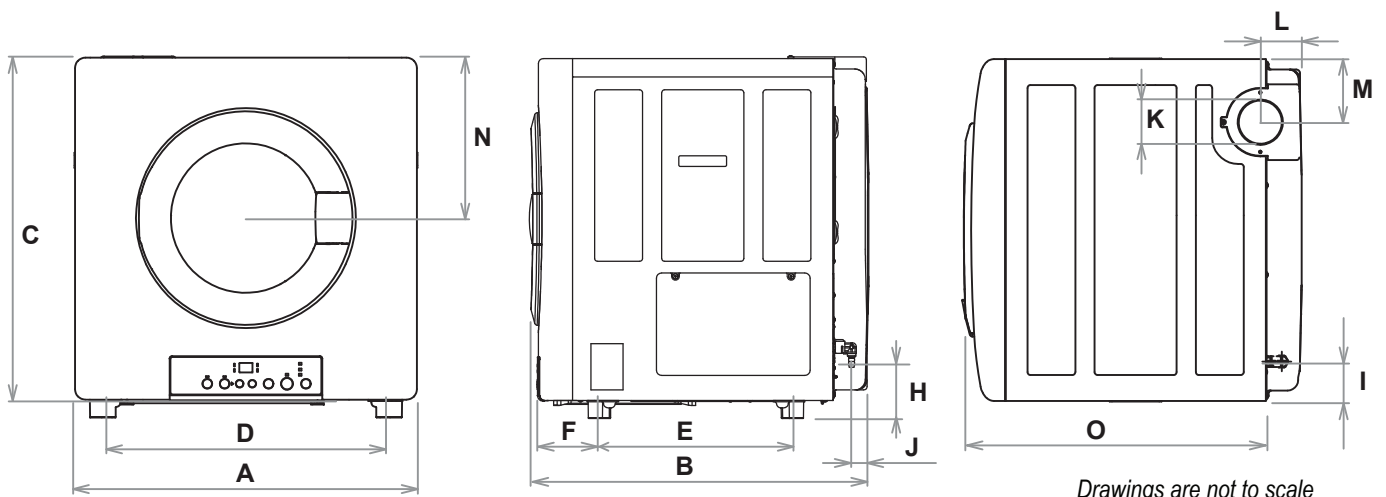
SPECIFICATIONS

APPLIANCE DETAILS AND DIMENSIONS

All dimensions in mm unless otherwise stated.

Appliance Details					
Model		Dry-Soft 9 - RDT-90-AU			
Weight (appliance body only)		33kg			
Standard drying capacity (dry weight)		9kg			
Standard drying time		90 Minutes			
Power supply		AC 230 V (50 Hz)			
Power cord length		1.5m			
Power consumption		245 W (at standby, 0.5 W)			
Gas consumption/hour		Natural	16.5 MJ/h	Propane	16.1 MJ/h
Safety Devices		Flame failure sensing Drying drum overheat switch Electric motor overheat switch Drum rotation detection		Fan rotation detection Door switch Blocked filter warning Electric fuses	
Dimensions					
A	Width	650			
B	Depth	641			
C	Height	Feet attached	684	Feet removed	661
D	Mounting Feet Centres Width	525			
E	Mounting Feet Centres Depth	354			
F	Mounting Feet (inset from front of appliance)	156			
G	Gas Inlet Connection	R 1/2" (15mm)			
H	Gas Connection Centre	Feet attached	98	Feet removed	75
I	Gas Connection Centre (from right side of appliance)	75			
J	Gas Connection (from rear of appliance)	37.5			
K	Flue Connection	82Ø (Use ONLY Rinnai Flue)			
L	Flue Connection Centre (from rear of appliance)	78			
M	Flue Connection Centre (from left side of appliance)	120			
N	Door Centre (from top of appliance)	305			
O	Depth of main body	594.5			

Key



WARRANTY

Rinnai Gas Clothes Dryer Product Warranty

WARRANTY TERMS

The benefits to the consumer given by this warranty are in addition to all other rights and remedies of the consumer under a law in relation to the goods or services to which the warranty relates.

Our goods come with guarantees that cannot be excluded under the Australian Consumer Law. You are entitled to a replacement or refund for a major failure and for compensation for any other reasonably foreseeable loss or damage caused by the product, and not the installation. You are also entitled to have the goods repaired or replaced if the goods fail to be of acceptable quality and the failure does not amount to a major failure.

Rinnai will repair or provide parts for repair or replacement, in the event of defects arising from faulty materials and/or workmanship, in accordance with the Warranty Terms in Table 1, Definitions, Warranty Conditions and Exclusions stated in this document.

Rinnai is responsible for reasonable costs associated with legitimate warranty claims, if and when validated by Rinnai. This includes call-out of an authorised Rinnai service provider to inspect the product. Rinnai is not responsible for:

- (a) any costs that are not pre-approved in writing by Rinnai Australia
- (b) any costs associated with a product which is determined upon inspection not to be covered by this warranty.

The consumer will be reimbursed by Rinnai for any reasonable costs associated with making a legitimate warranty claim against Rinnai which are not otherwise specified above.

Enquiries relating to warranty coverage and claims for Rinnai products or services must be made by contacting Rinnai Australia. Contact details are on the back of this document.

TABLE 1

Gas Clothes Dryers	Domestic Use Parts & Labour	Commercial Use Parts & Labour
All Models	2 Years	1 Year

DEFINITIONS

Domestic Use:

The warranty periods that are allocated under “Domestic Use” are based on the gas clothes dryer usage of a typical family and apply only to gas clothes dryers installed in domestic dwellings.

Commercial Use:

The warranty periods that are allocated under “Commercial Use” are for gas clothes dryers installed at premises such as commercial and industrial buildings, hotels, motels, caravan parks, and sporting complexes, but not limited to these.

WARRANTY CONDITIONS

1. The Warranty Conditions that apply are those that accompany the specific product at the date of manufacture.
2. All terms of this warranty are effective from date of completion of installation of the appliance(s) and the attending service person reserves the right to verify this date by requesting proof of purchase or a copy of the certificate of compliance prior to the commencement of any warranty work. Where the date of completion of installation is not known, then this warranty will commence 2 months after the date of manufacture. The date of manufacture is stated on the data plate of the appliance.

Note: Certificates of compliance must be issued by the installer by law in all States and Territories of Australia.

3. All Rinnai Gas Clothes Dryers and components must be installed, commissioned, serviced, repaired and removed in accordance with the manufacturer’s installation instructions, current AS 3000, AS 3500 and AS 5601, local regulations and municipal building codes by persons authorised by local regulations to do so.

4. All Rinnai Gas Clothes Dryers must be operated and maintained in accordance with the manufacturer's instructions.
5. The warranty applies only to the components supplied by Rinnai. It does not apply to components supplied by others, such as isolating valves, electrical switches, pipe work, electrical cables and fuses, but not limited to these.
6. Any inspection, service, repair or replacement activities associated with warranty on Rinnai products must be authorised by Rinnai Australia before commencement.
7. Where the appliance has not been sited in accordance with the installation instructions or installed such that safe assessment or service access requires machinery or is difficult, a service charge will apply. If at the discretion of the attending service person, access is deemed dangerous, service will be refused. Any work required to gain reasonable or safe access to the appliance will be chargeable by the attending service person (for example, removal of cupboards, doors, walls, or the use of special equipment to move components to floor level, but not limited to these).
8. Any inspection, service, repair or replacement activities associated with warranty on Rinnai products must be authorised by Rinnai Australia before commencement.
9. Where a failed appliance or component is replaced under warranty, the balance of the original appliance warranty will remain effective. The replacement part or appliance does not carry new product warranty.
10. Rinnai reserve the right to have the installed product returned to the factory for inspection.

WARRANTY EXCLUSIONS

No warranties except those express and or implied by law and cannot be excluded are given by Rinnai in respect of Goods supplied. Where it is lawful to do so, the liability of Rinnai for a breach of condition or warranty is limited to the repair or replacement of the Goods, the supply of equivalent Goods, the payment of the cost of repairing or replacing the Goods or acquiring equivalent Goods as determined by Rinnai.

The following exclusions apply to all Rinnai Gas Dryers. They may cause the warranty to become void and will result in a service charge and costs of parts (if required):

1. Accidental damage and acts of God.
2. Failure due to abuse or misuse, improper maintenance or failure to maintain.
3. Failure due to incorrect or unauthorised installations.
4. Failure, damage and associated costs resulting from product alterations, service or repair work or methods not authorised by Rinnai.
5. Failure or damage caused by alterations, service or repair work carried out by persons other than Rinnai service persons or service agents.
6. Where it is found that there is no functionality fault with the appliance and the issues are related to the installation or are due to the failure of electric or gas supplies or corrosive atmosphere.
7. Labour costs incurred due to a Rinnai Service person or service agent performing checks which should have been carried out by the customer in accordance with the Customer Operation Instructions and where no defect is found.



Rinnai Australia Pty Ltd

ABN 74 005 138 769 | AU45204

100 Atlantic Drive, Keysborough, Victoria 3173
P.O. Box 460, Braeside, Victoria 3195
Tel: (03) 9271 6625
Fax: (03) 9271 6622

National Help Line

Tel: 1300 555 545* Fax: 1300 555 655
Monday to Friday, 8.00 am to 5.00 pm EST.

**Cost of a local call higher from mobile or public phones.*

For further information visit www.rinnai.com.au
or email enquiry@rinnai.com.au

Rinnai has a Service and Spare Parts network with personnel who are fully trained and equipped to give the best service on your Rinnai appliance. If your appliance requires service, please call our National Help Line. Rinnai recommends that this appliance be serviced every 2 years.

With our policy of continuous improvement, we reserve the right to change, or discontinue at any time, specifications or designs without notice.

RDT90-0279(01)



223740