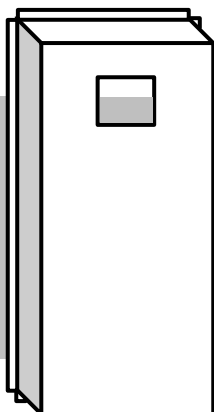


## Installation Manual

### Weather Proof Box - 650/750WPB (R2448)



**Model Compatibility:**  
RDV600ER  
RDV700ER



**IMPORTANT NOTE TO INSTALLER:**

This Weather Proof Box is suitable for use with only with certified RDV flue components supplied for these appliances.

**NOTE**

This Weather Proof Box is to be used in conjunction with the *Horizontal Flue Spigot Mount Kit, Pt No. R2449.*

**Kit Contents 650/750 WPB (R2448)**

Ref	Item	Quantity	Ref	Item	Quantity
1	Panel Bottom R67 WP Box	1	6	Bracket Support LH R67 WP Box	1
2	Panel Side RH R67 WP Box	1	7	Bracket Support RH R67 WP Box	1
3	Panel Side LH R67 WP Box	1	8	Bracket Support Rear R67 WP Box	1
4	Panel Top R67 WP Box	1	9	Screw 8x10 THPSZ Phil AB Zinc	48
5	Panel Front R67 WP Box	1	10	Screw Wood 8x38 83M88112C	12

**Note:** An additional 11 fasteners will be required to fix the weatherproof box to the outside wall through the pre-punched Ø8mm holes. These fasteners have not been supplied with the kit. The fixing method will depend on the type of wall material or the type of wall cladding.

**This appliance and or accessory shall be installed in accordance with:**

- Manufacturer's Installation Instructions.
- Current AS/NZS 5601 AS/NZS 3000.
- Local Regulations and Municipal Building Codes including local EH&S requirements.

This appliance and or accessory must be installed, serviced or removed only by an Authorized Person.

For continued safety and safe operation of this appliance and or accessory it must be installed and maintained in accordance with the manufacturer's instructions.

**Rinnai** Australia Pty. Ltd.

Head Office

100 Atlantic Drive,  
Keysborough Victoria 3173  
Tel: (03) 9271 6625

P.O. Box 460  
Braeside Victoria 3195

# Installation Manual 650/750WPB (Pt No. R2448)

## REGULATIONS

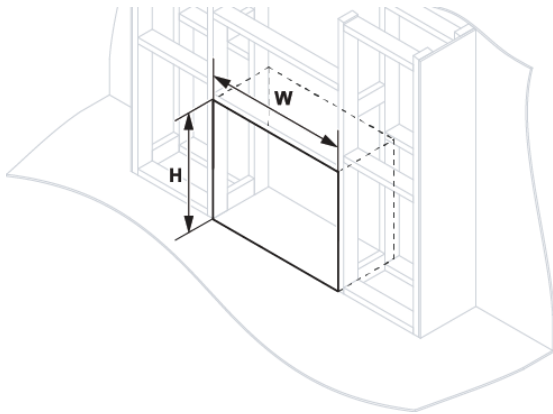


**THIS ACCESSORY SHALL BE INSTALLED IN ACCORDANCE WITH:**

- Manufacturer's Installation Instructions, including OPERATION & INSTALLATION MANUAL, Flamefire Gas Space Heater RDV600/700ER (supplied with the heater) Space Heater Flue System, (located within the Operation and Installation Manual).
  - Current AS/NZS 5601 AS/NZS 3000
  - Local Regulations and Municipal Building Codes including local EH&S requirements To be installed, maintained and removed only by an authorised person.
- For continued safety and safe operation of this appliance it must be installed and maintained in accordance with the manufacturer's instructions.

## FRAMING

The framing and outside wall will need to be prepared to the following sizes



	Model	
	650	750
<b>H = Height</b>	700	800
<b>W = Width</b>	700	700

## DIMENSIONS – (Flue terminal fitted).

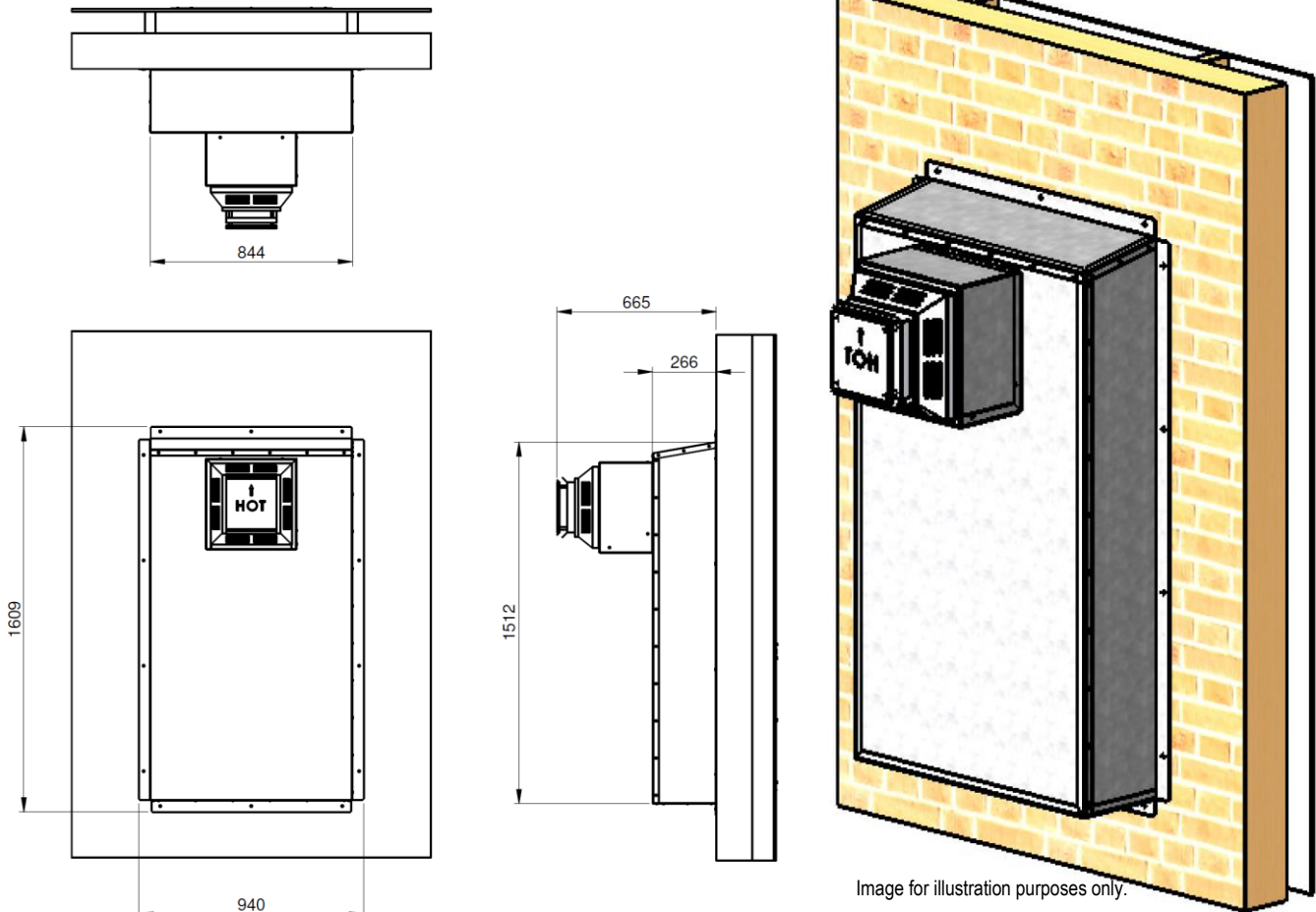


Image for illustration purposes only.

## SUPPORT BRACKETS

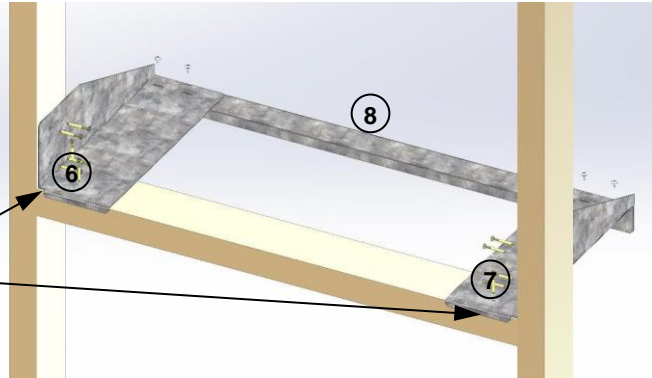
1. Fit the engine support brackets, (6) & (7) to the framing as shown using the wood screws item (10) supplied. The front lip of the brackets must be pushed hard back against the framing or the fascia will not fit correctly.
2. Fit the rear support bracket, (8), to the engine support brackets using 8x10 screws supplied, item (9).



### IMPORTANT NOTE TO INSTALLER:

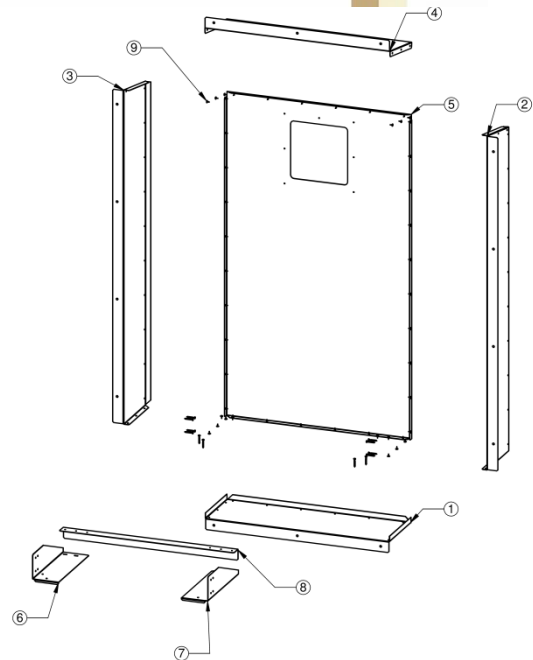
It is essential that the left and right hand brackets are installed square and flush to the frame or the front fascia will not sit correctly flat against the wall.

Right & Left hand brackets square and pushed hard flush the frame



## WEATHER PROOF BOX ASSEMBLY

Item No.	Description	QTY
1	Panel Bottom R67 WP Box	1
2	Panel Side RH R67 WP Box	1
3	Panel Side LH R67 WP Box	1
4	Panel Top R67 WP Box	1
5	Panel Front R67 WP Box	1
6	Bracket Support LH R67 WP Box	1
7	Bracket Support RH R67 WP Box	1
8	Bracket Support Rear R67 WP Box	1
9	Screw 8x10 THPSZ Phil AB Zinc	48
10	Screw Wood 8x38 83M88112C	12



**Note:** An additional 11 fasteners will be required to fix the weatherproof box to the outside wall through the pre-punched Ø8mm holes. These fasteners have not been supplied with this kit. The fixing method will depend on the type of wall material or the type of wall cladding used.

### Assembly steps

1. On a clean, flat surface fit the bottom panel, (1), to the side panels, (3) & (2) using the 8x10 screws item (9) supplied. The sloping edge of the side panels are at the top, the bottom panel fits inside the sides.
2. Fit the front panel, (5), to the side and bottom panels using the 8x10 screws item (9) supplied.
3. Fit the sloping top panel, (4), using the 8x10 screws item (9) supplied.



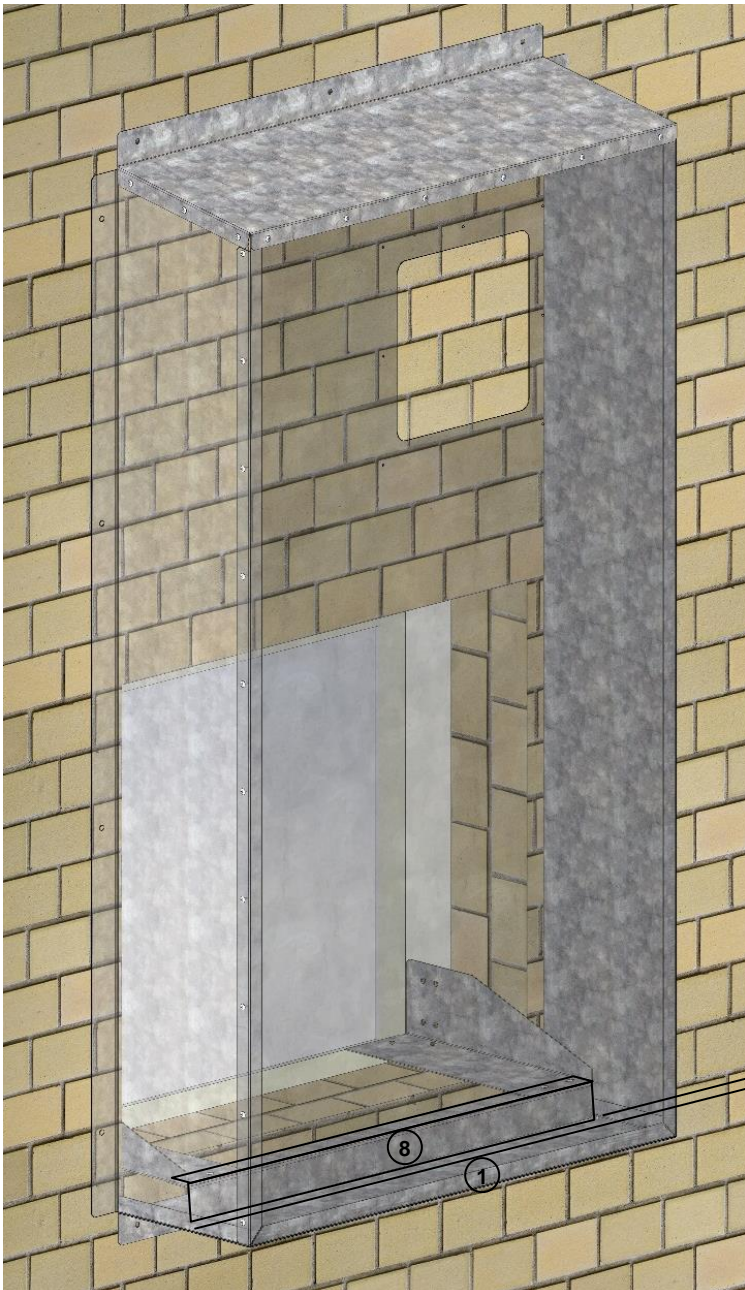
## ATTACHING THE WEATHERPROOF BOX TO THE WALL



### IMPORTANT NOTE TO INSTALLER:

The method of ensuring that the weather seal between the Weatherproof Box and the wall cladding is watertight is the responsibility of the installer. Refer to the current version of AS/NZS 5601. Rinnai is unable to advise as to how this is achieved.

1. Locate the assembled Weatherproof Box to ensure a gap of 5-10mm between the bottom edge of the rear support bracket, (8) and bottom panel, (1). This gap is to ensure drainage in the event of accidental water leakage and to allow air movement at the base.
2. Attach the Weatherproof box assembly to the wall using appropriate fasteners and sealant, (not supplied).



5-10mm gap between bottom panel, (1) and rear support bracket, (8).

To complete the installation of your heater refer to the instructions contained the *Horizontal Flue Spigot Mount Kit*, Pt No. R2449.

END