

Quick Recovery Electric Storage

Rinnai

Relax with Rinnai.

Heavy duty commercial electric storage solution

With a capacity of 315L, and a triple electric element configuration with elements ranging in size from 3.6 - 6.0kW, the new Rinnai QRE range of electric storage hot water systems has your exact requirements covered. With maximum flexibility designed in, the QRE range is perfect for new projects or break-down replacements, and can be installed internally or externally as required.

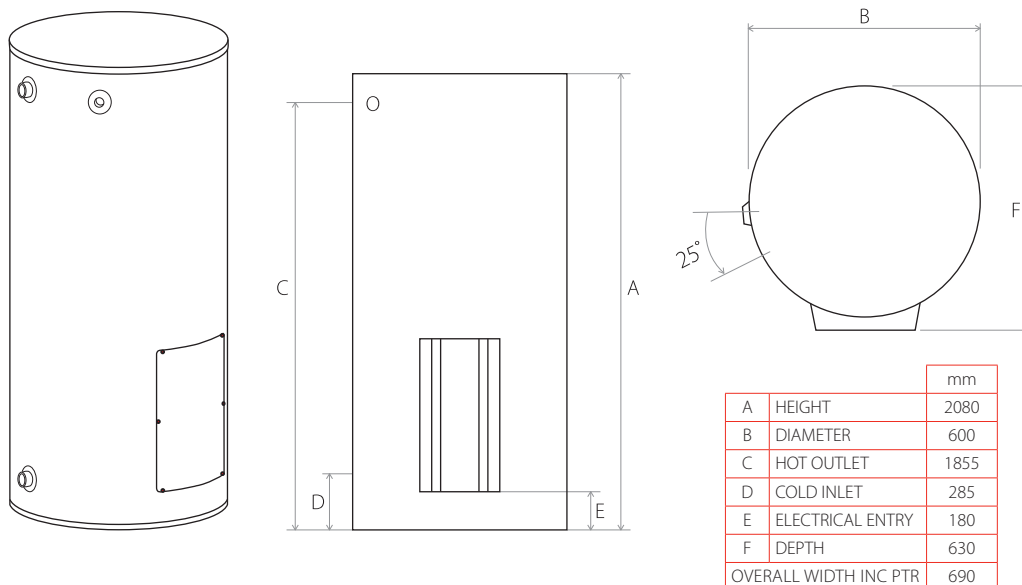
At Rinnai, we say 'Quality is our Destiny', that's why the QRE range is constructed using high quality marine grade 444 Stainless Steel, and carries warranties of up to 10 years. That means you will have all the hot water you need, when you need it, for many years to come.

Features and benefits

- Australian made Stainless Steel storage tank - long lasting 444 grade
- Sturdy yet lightweight Stainless Steel construction for ease of handling
- High efficiency polyurethane insulation - exceeds current MEPS standards for heat loss
- Large 50mm ports as standard for high flow and low pressure drop
- Up to 625 Litre 1st hour delivery @ 50°C temperature rise for the 3 x 6.0kW model
- Triple electric element configuration for a wide range of applications
- 3.6, 4.8 and 6.0kW element sizes available
- Suitable for internal or external mounting



Specifications



Model	QRESS315L336	QRESS315L348	QRESS315L360
Storage capacity		350L	
Hot water delivery		315L	
First hour delivery (50°C rise)	500L	560L	625L
Recovery rate (50°C rise)	185L	245L	310L
No. of elements		3	
Element capacity	3 x 3.6kW	3 x 4.8kW	3 x 6.0kW
Total Input power	10.8kW	14.4kW	18.0kW
Electrical		3 Phase, 415 VAC	
Current (per phase)	15 Amps	20 Amps	25 Amps
PTR valve setting		850 kPa	
ECV setting		700 kPa	
Max inlet Pressure (without ECV)		680 kPa	
Max inlet Pressure (with ECV)		550 kPa	
Factory thermostat setting		70°C	
Min Thermostat setting		60°C	
Weight (Dry)		75 kgs	
Cold inlet connection		50mm	
Hot outlet connection		50mm	
PTR connection		20mm	

The Rinnai QRE range of electric hot water tanks is just a small part of the total Rinnai Commercial Hot Water offering. Rinnai also design and manufacture a full range of gas continuous flow, solar and storage products, with customised solutions to suit your application.

For further details visit our website www.rinnai.com.au, or call Rinnai on 1300 555 545.

Warranty	Domestic Use	Commercial Use
Storage Cylinder	10 Years	7 Years