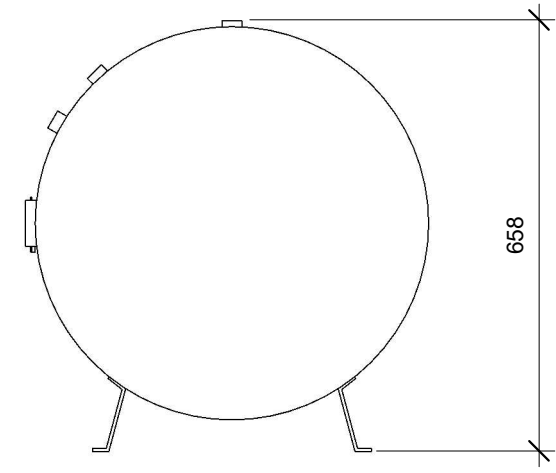


DRAWING CHANGES					
REV	ECN NO	DESCRIPTION	BY	CKD	DATE



NOTES:
 DRY WEIGHT - 75 Kg
 WET WEIGHT - 405Kg
 PTR RATING NOT TO EXCEED 850kPa

MATERIAL	DRAWN	SVL
TOLERANCE - UNLESS STATED	DATE	05/01/18
0. ±1.0	CHECKED	CK
0.0 ±0.5	APPROVED	
FINISH:	DO NOT SCALE DRAWING	

Rinnai Australia Pty Ltd		
Title		
DEMAND DUO-DD330 HT TANK		
Weight	Drawing Number(PART NO)	Revision
	RA-05-01-18-001	