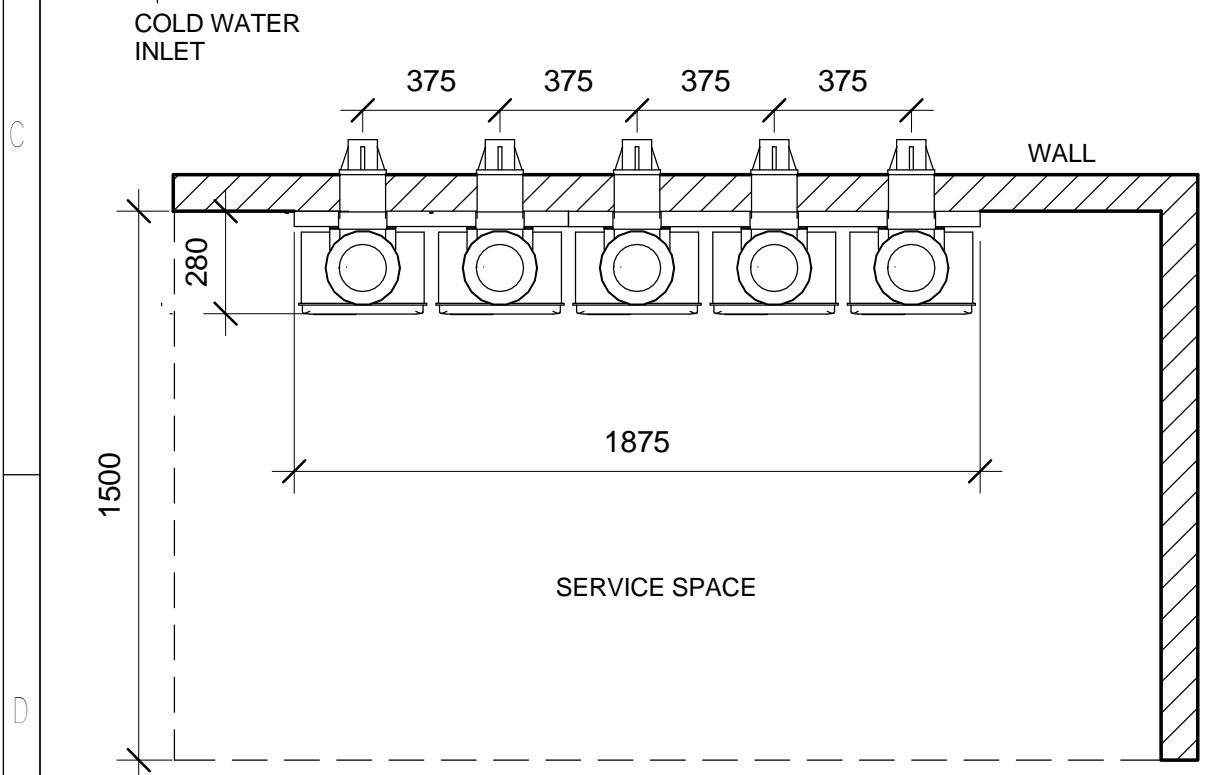
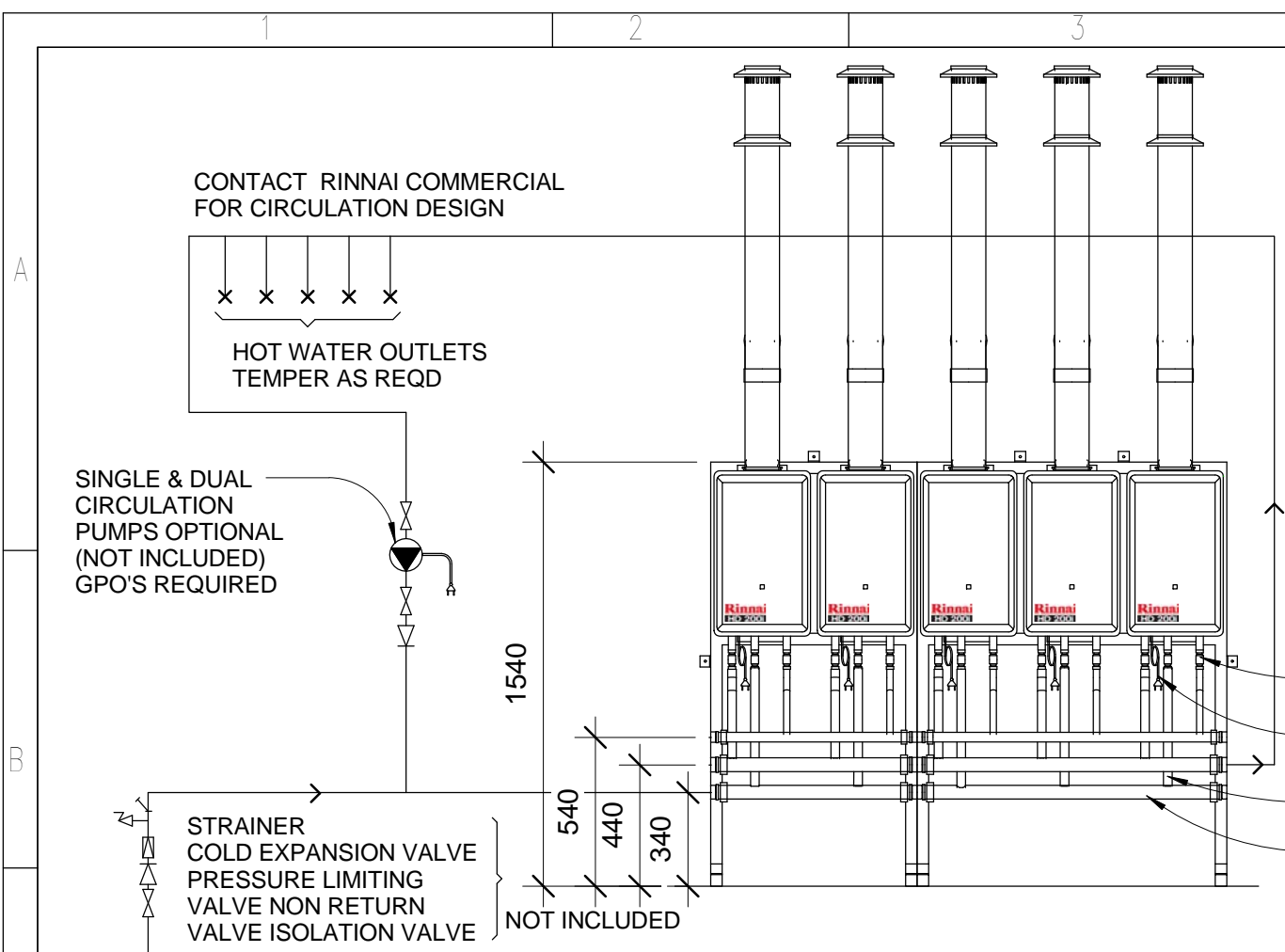
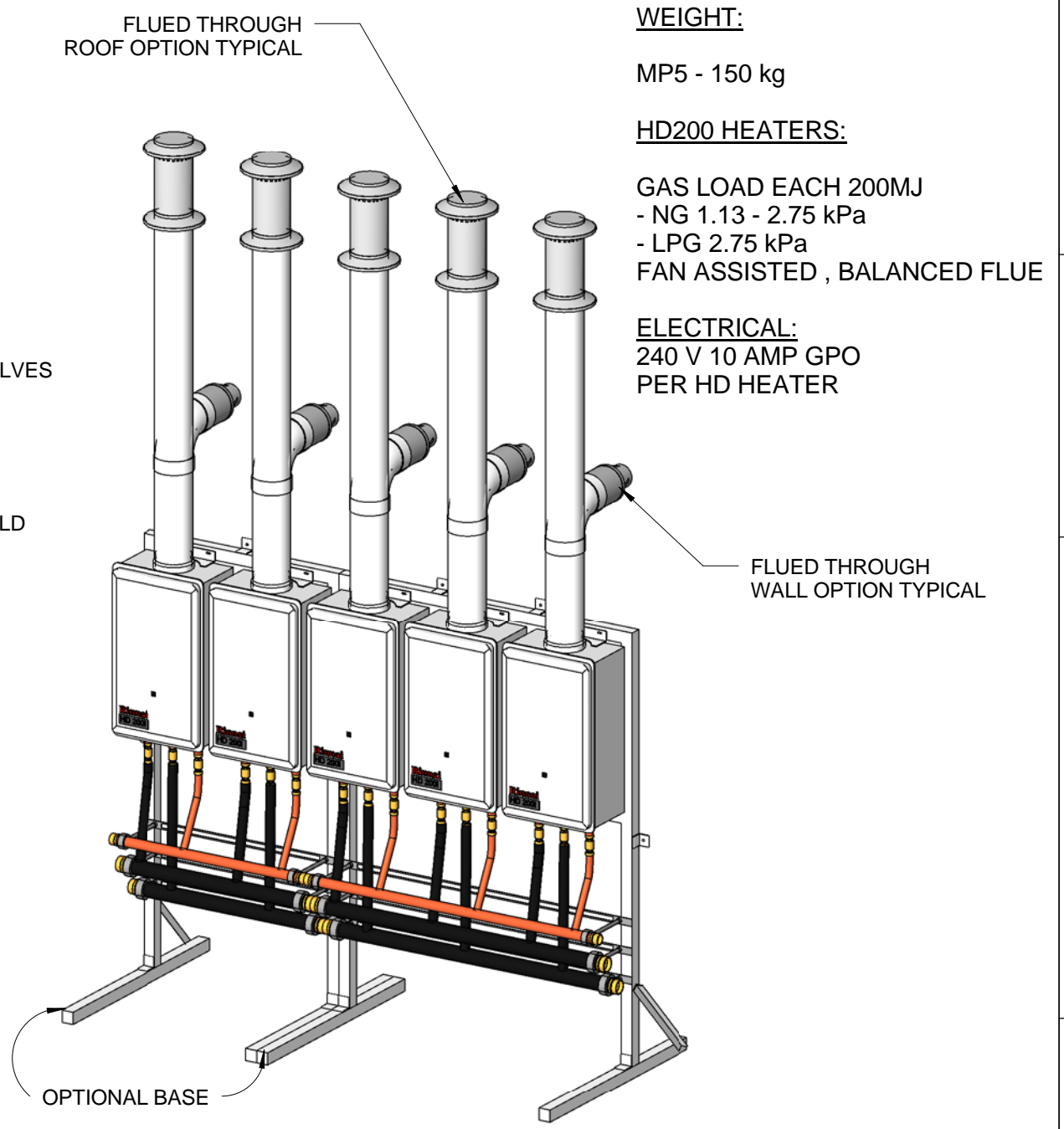


DRAWING CHANGES					
REV	ECN NO	DESCRIPTION	BY	CKD	DATE



* COLD EXPANSION VALVE & NON RETURN VALVE NOT REQUIRED ON NON CIRCULATING SYSTEMS.



WEIGHT:
MP5 - 150 kg

HD200 HEATERS:
GAS LOAD EACH 200MJ
- NG 1.13 - 2.75 kPa
- LPG 2.75 kPa
FAN ASSISTED , BALANCED FLUE

ELECTRICAL:
240 V 10 AMP GPO
PER HD HEATER

MATERIAL	DRAWN	DAP	Rinnai Australia Pty Ltd		
TOLERANCE - UNLESS STATED	DATE	21/05/12			
0.±1.0 0.0 ±0.5	DIMENSIONS ARE IN MILLIMETERS AS 1:100	CHECKED	Title DEMAND DUO-MP520OI MANIFOLD PACK		
0.00 ±0.1 Angular ±1	THIRD ANGLE PROJECTION	APPROVED			
FINISH:	DO NOT SCALE DRAWING		Weight	Drawing Number(PART NO)	Revision
				RA-21-05-12-025	