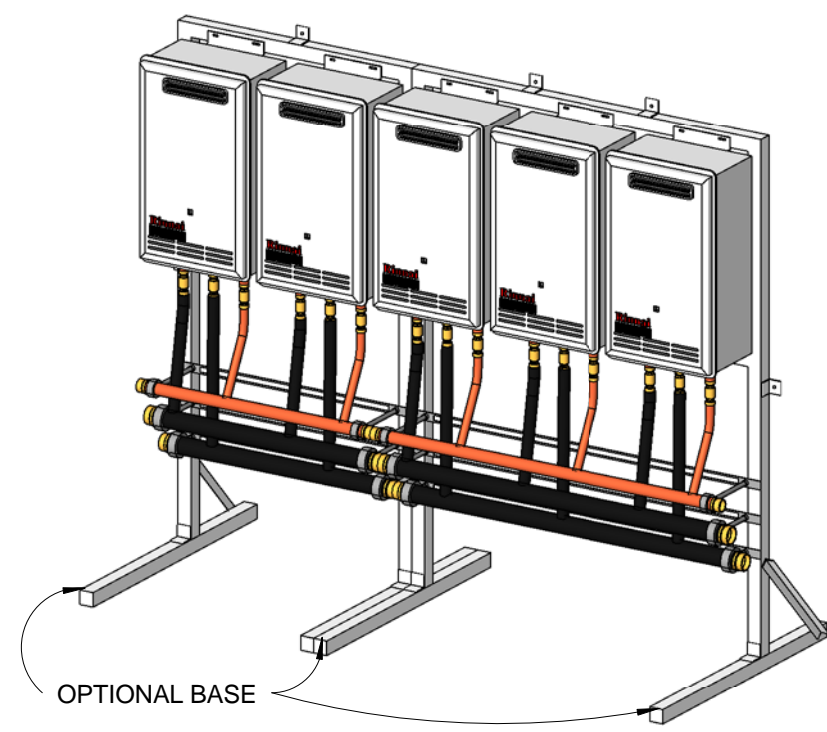


DRAWING CHANGES					
REV	ECN NO	DESCRIPTION	BY	CKD	DATE

**WEIGHT:**  
MP5 - 150 kg

**HD200 HEATERS:**  
GAS LOAD EACH 200MJ  
- NG 1.13 - 2.75 kPa  
- LPG 2.75 kPa  
FAN ASSISTED , BALANCED FLUE

**ELECTRICAL:**  
240 V 10 AMP GPO  
PER HD HEATER



CONTACT RINNAI COMMERCIAL FOR CIRCULATION DESIGN

HOT WATER OUTLETS  
TEMPER AS REQD

SINGLE & DUAL  
CIRCULATION  
PUMPS OPTIONAL  
(NOT INCLUDED)  
GPO'S REQUIRED

STRAINER  
COLD EXPANSION VALVE  
PRESSURE LIMITING VALVE  
NON RETURN VALVE  
ISOLATION VALVE

COLD WATER  
INLET

1875

375 375 375 375

1540

ISOLATION VALVES

GPO REQD  
PER HEATER

20mm RISERS

32mm MANIFOLD

540

440

340

NOT INCLUDED

WALL

280

1500

SERVICE SPACE

AS PER  
GAS CODE  
(EXTERNAL)

\* COLD EXPANSION VALVE & NON  
RETURN VALVE NOT REQUIRED  
ON NON CIRCULATING SYSTEMS.

MATERIAL	DRAWN	DAP
TOLERANCE - UNLESS STATED	DATE	21/05/12
0.±1.0	CHECKED	SVL
0.0 ±0.5	APPROVED	
FINISH:	DO NOT SCALE DRAWING	

<b>Rinnai Australia Pty Ltd</b>		
Title <b>DEMAND DUO-MP520OE MANIFOLD PACK</b>		
Weight	Drawing Number(PART NO)	Revision
	<b>RA-21-05-12-020</b>	