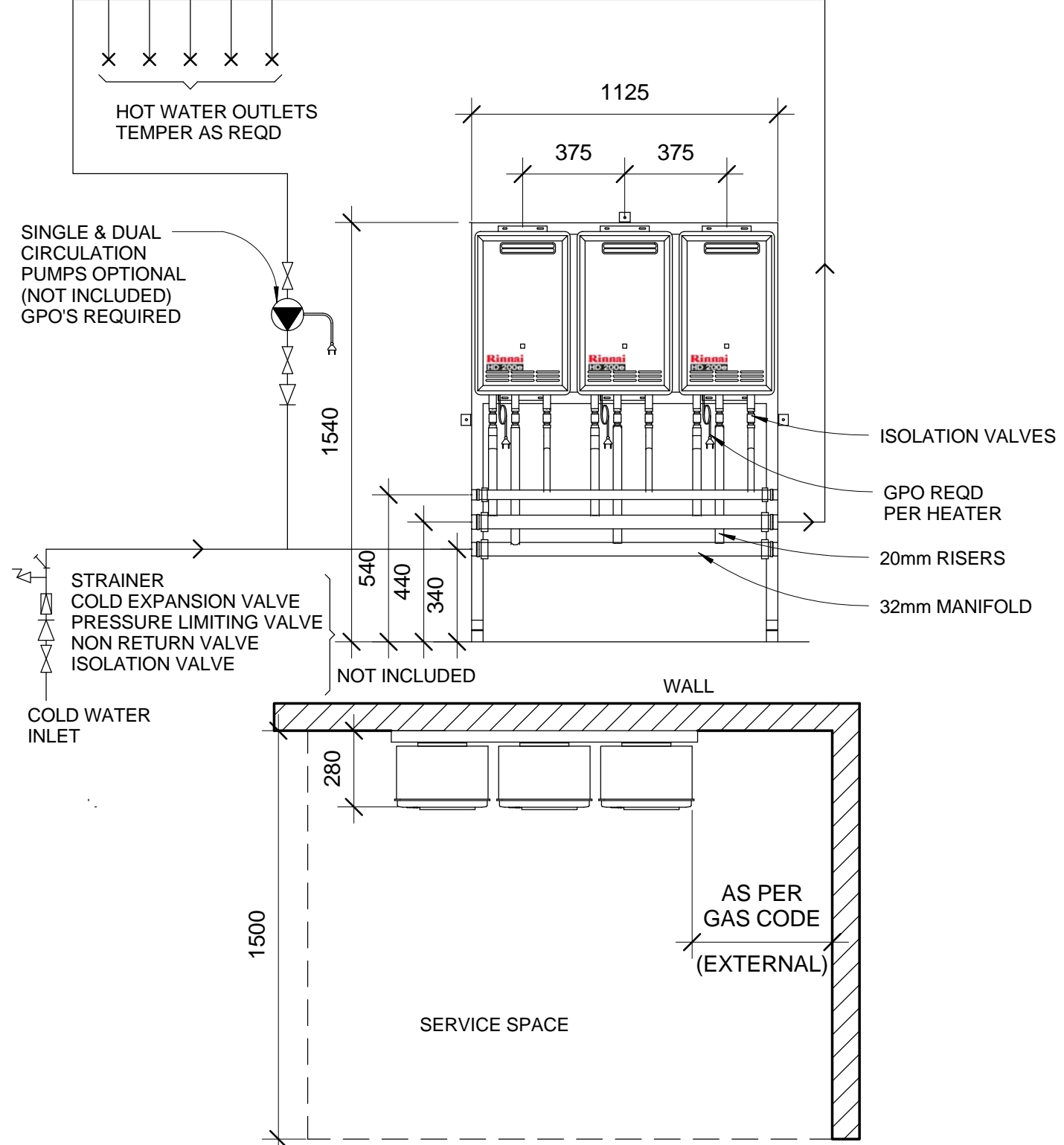


CONTACT RINNAI COMMERCIAL FOR CIRCULATION DESIGN

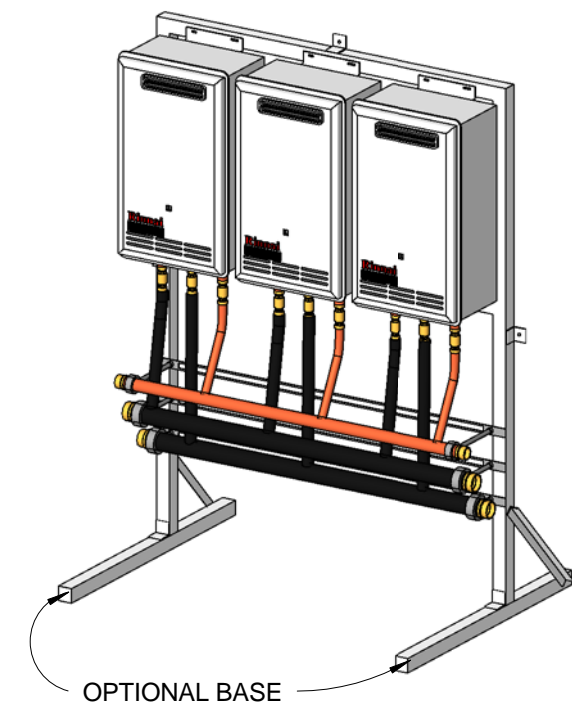


DRAWING CHANGES					
REV	ECN NO	DESCRIPTION	BY	CKD	DATE

WEIGHT:
MP3 - 90 kg

HD200 HEATERS:
GAS LOAD EACH 200MJ
- NG 1.13 - 2.75 kPa
- LPG 2.75 kPa
FAN ASSISTED , BALANCED FLUE

ELECTRICAL:
240 V 10 AMP GPO
PER HD HEATER



* COLD EXPANSION VALVE & NON RETURN VALVE NOT REQUIRED ON NON CIRCULATING SYSTEMS.

MATERIAL	DRAWN	DAP
TOLERANCE - UNLESS STATED	DATE	21/05/12
0.±1.0 0.0 ±0.5	CHECKED	SVL
0.00 ±0.1 Angular ±1	APPROVED	
FINISH:	DO NOT SCALE DRAWING	

Rinnai Australia Pty Ltd

Title		
DEMAND DUO-MP320OE MANIFOLD PACK		
Weight	Drawing Number(PART NO)	Revision
	RA-21-05-12-018	