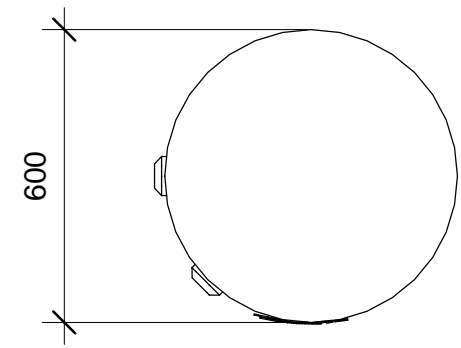
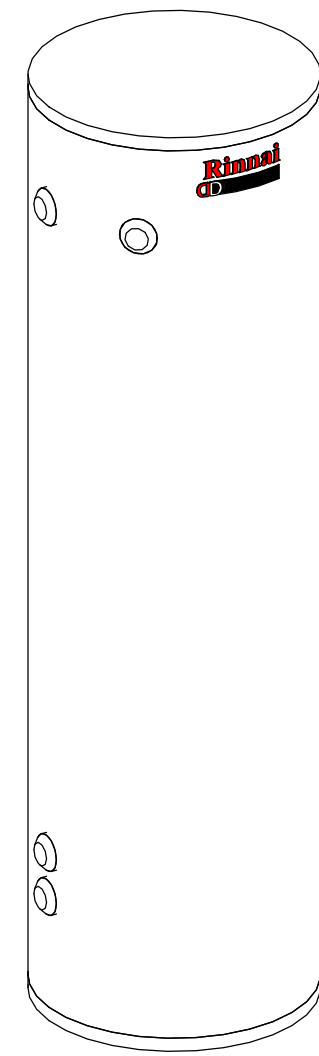
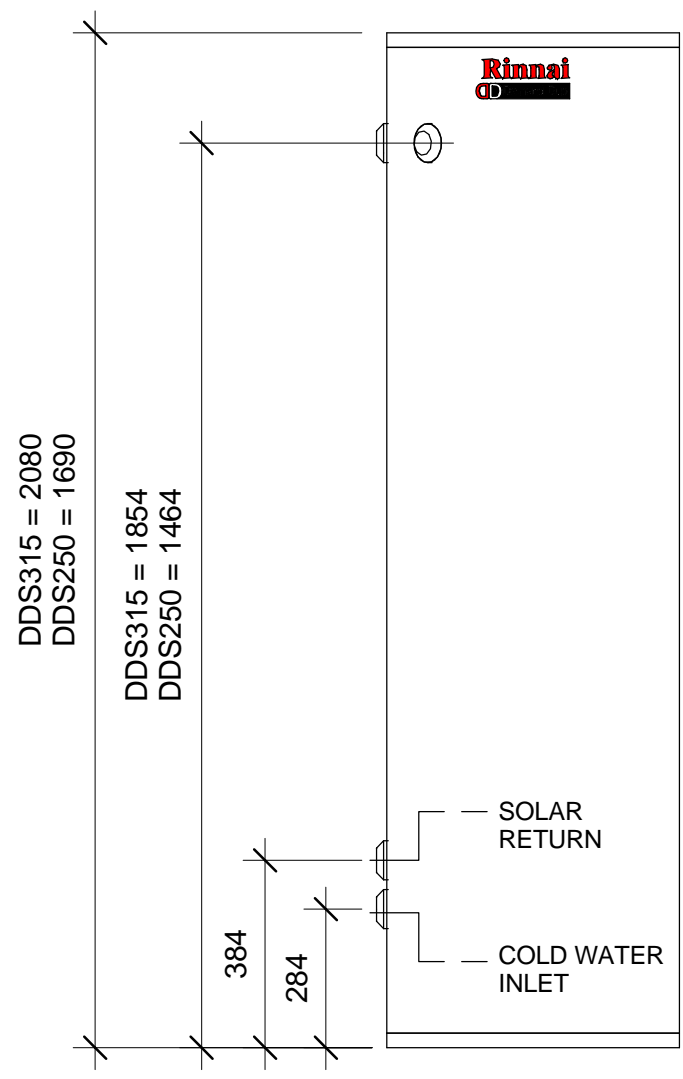


DRAWING CHANGES					
REV	ECN NO	DESCRIPTION	BY	CKD	DATE



Note:
 Solar Return and PTR connections: 3/4 Rp
 Hot and Cold Inlet connections: 1 1/4 Rp
 Weight Empty - DDS250 = 56 kg
 - DDS315 = 68 kg

MATERIAL		DRAWN	DAP	Rinnai Australia Pty Ltd	
TOLERANCE - UNLESS STATED		DATE	17/07/12		
0.±1.0	0.00 ±0.1	DIMENSIONS ARE IN MILLIMETERS AS 1:100		Title DDS - STAINLESS STEEL CYLINDERS	
0.0 ±0.5	Angular ±1	CHECKED	SVL		
FINISH:		APPROVED		Weight	Drawing Number(PART NO)
DO NOT SCALE DRAWING					RA-17-07-12-005
					Revision