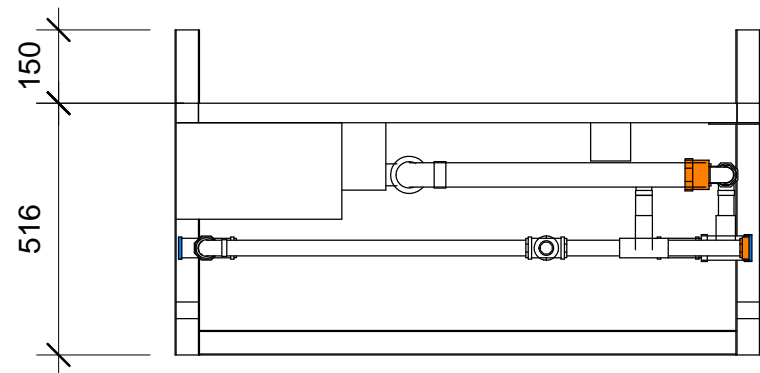
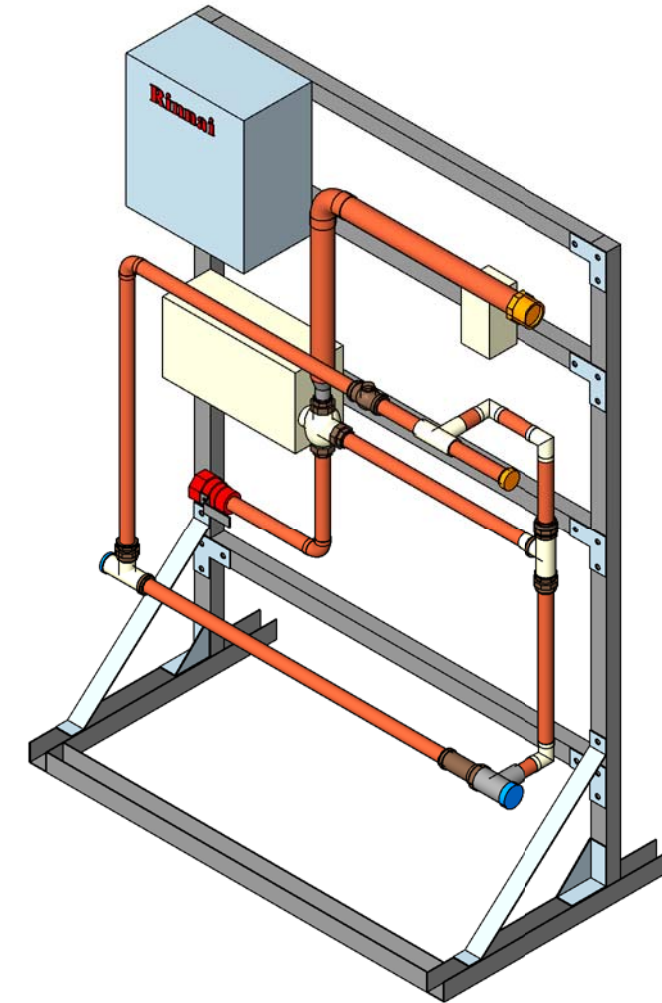
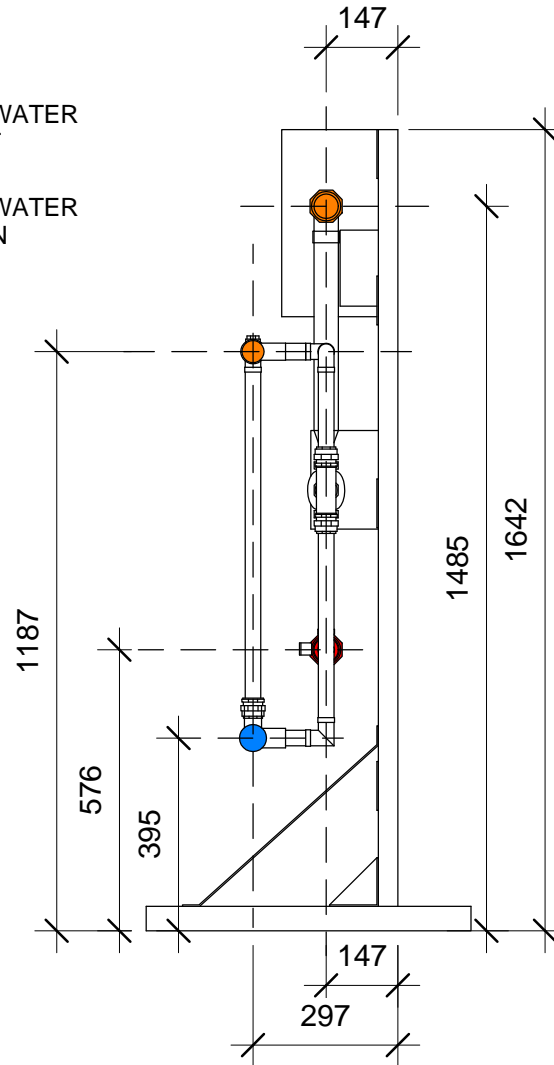
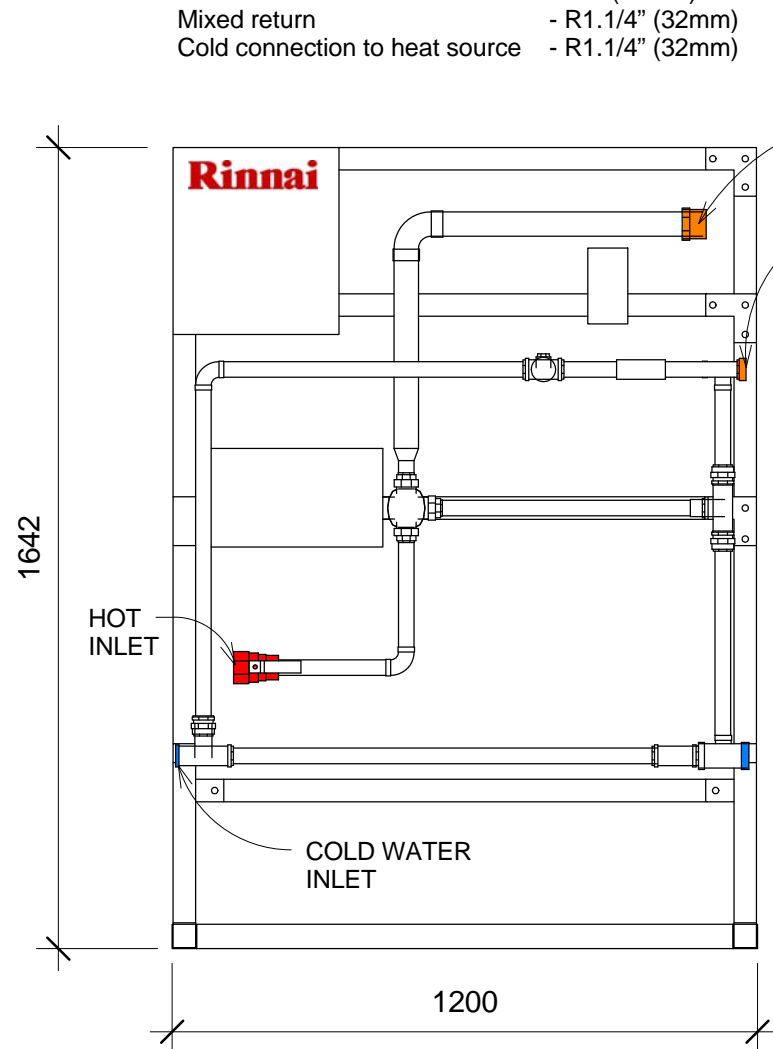


**DDWW50 - Warm water valve notes**

- Peak flow rate - 267 l/min at 200 kPa
- Min return flow rate - 24 l/min
- Max differential pressure between hot and cold - 50 kPa
- Power supply - AC 240 V 50 Hz
- Weight - 90 Kgs
- Cold inlet - R2" (50mm)
- Hot inlet - R1.1/4" (32mm)
- Mixed outlet - R2" (50mm)
- Mixed return - R1.1/4" (32mm)
- Cold connection to heat source - R1.1/4" (32mm)

DRAWING CHANGES					
REV	ECN NO	DESCRIPTION	BY	CKD	DATE



MATERIAL	DRAWN	DAP	<b>Rinnai Australia Pty Ltd</b>		
TOLERANCE - UNLESS STATED	DATE	17/07/12			
0.±1.0 0.0 ±0.5	DIMENSIONS ARE IN MILLIMETERS AS 1:100	CHECKED	<b>DEMAND DUO WARM WATER VALVE</b> Model : DDWW50		
0.00 ±0.1 Angular ±1	THIRD ANGLE PROJECTION	SVL			
FINISH:	APPROVED		Weight	Drawing Number(PART NO)	Revision
	DO NOT SCALE DRAWING			RA-17-07-12-003	