

HDC211e

NO	Part Name	RA Part Number	11 Digit Code	REU-KM3237WDC-AK	REU-KM3237WDC-50-AK
				23-9390	23-9412
001	Main Body Assembly	92098933	014-501-000	1	1
002	Wall Hang Bracket	92099429	106-700-000	2	2
004	Connection Reinforcement		044-182-000	1	1
005	Heat Protection Plate		030-941-000	1	1
006	Front Panel W Assembly -1-E	92099437	019-4924000	1	
006	Front Panel W Assembly -1-F	92099433	019-4925000		1
007	Gasket-Top and Bottom		580-0632000	2	2
008	Gasket-Side		580-0633000	2	2
011	Screw Cover		098-2927000	2	2
012	Screw Cover Rid		035-1795000	4	4
013	Cable Connection Mouth	92073352	106-104-000	1	1
014	Cable Seal Packing	92099984	580-0105000	1	1
016	Seal Packing (Gray)		510-893-000	1	1
017	Screw Cover Assembly	92098929	019-4197000	2	2
018	Cable Access Assembly	92098905	106-665-000	1	1
019	Cover		098-2985000	1	1
021	Reinforcement Bracket		044-183-000	1	1
022	Attachment Bracket		517-526-000	3	3
023	Reinforcement Bracket		044-151-000	1	1
025	Status Monitor Bracket		537-0881000	1	1
026	Cable Seal Packing		580-306-000	1	1
027	Connection Fixing Plate	92095896	538-840-000	1	1
100	Gas Controller Assembly	92098901	114-528-000	1	1
101	Pressure Point Seal Screw	92099956	501-275-005	2	2
102	Gas Connection(3/4)	92081587	106-290-000	1	1
103	Burner Unit Assembly-B	92099932	000-160-000	1	1
103	Burner Unit Assembly-C	92098941	000-173-000	1	1
104	Burner Case Front Panel		098-985-000	1	1
105	Burner Case Bottom Plate		004-564-000	1	1
106	Packing		580-573-000	1	1
107	Lean and Rich Bunsen Burner Assembly		157-090-000	22	22
108	Burner Case Rear Panel		098-986-000	1	1

REU-KM3237WDC-AK

REU-KM3237WDC-50-AK

HDC211e

NO	Part Name	RA Part Number	11 Digit Code	23-9390	23-9412
109	Damper-B	92099936	140-788-000	1	1
109	Damper-C	92098998	140-803-000	1	1
110	Manifold Assembly-1	92098907	101-774-000	1	1
110	Manifold Assembly-2	92098909	101-773-000	1	1
111	Upper Combustion Chamber		092-046-000	1	1
112	Lower Combustion Chamber		092-047-000	1	1
114	Combustion Chamber Panel		019-4198000	1	1
116	Electrode	92086974	202-156-000	1	1
117	Flame Rod	92098996	202-233-000	2	2
118	Electrode Packing	92098908	580-0635000	1	1
119	Electrode Weight		580-0636000	1	1
120	Combustion Chamber Packing Upper		580-0637000	1	1
125	Fan Motor All Assembly	92098984	222-663-000	1	1
126	Fan Casing Assembly	92098862	035-867-000	1	1
127	Fan Connection Mouth		106-649-000	1	1
128	Fan Connection Packing	92099942	580-580-000	1	1
129	Fan Motor Assembly		222-643-000	1	1
135	Flue Outlet Assembly	92098915	055-995-000	1	1
137	Flue Outlet Packing		580-0643000	1	1
138	Seal Packing-6		580-835-000	1	1
143	Heat Exchanger Assembly	92099443	314-808-000	1	1
152	Reinforcement Bracket		538-0597000	1	1
160	Heat Exchanger,Secondary	92098926	314-805-000	1	1
166	Reinforcement Bracket		537-0883000	1	1
400	Water Inlet 3/4	92095901	333-483-000	1	1
401	Water Flow Servo and Sensor Asse	92098932	301-199-000	1	1
402	Rectifier	92093552	330-107-000	1	1
403	Bypass Servo Assembly	92087072	301-158-000	1	1
404	Fixing Bracket	92099560	512-401-000	2	2
405	Plug Band		553-119-000	1	1
408	Hot Water Outlet 3/4	92098914	333-500-000	1	1
409	Stop Bracket-D		512-406-000	1	1

HDC211e

NO	Part Name	RA Part Number	11 Digit Code	23-9390	23-9412
410	Plug Band		553-181-000	1	1
411	Drain Valve C Assembly	92099944	337-152-000	1	1
412	Water Filter Plug Assembly	92083773	196-062-000	1	1
413	Cover		098-2780000	1	1
421	Drain Connection		333-493-000	1	1
422	Drain Valve Assembly	92097120	337-034-000	1	1
423	Quick Fastener		512-550-000	2	2
424	Connecting Pipe		332-0200000	1	1
426	Airtight Packing		580-0641000	1	1
431	Connecting Pipe - Inlet		332-0231000	1	1
432	Connecting Pipe - HEX		332-0202000	1	1
433	Quick Fastener 12.7	92092485	512-249-000	2	2
434	Quick Fastener		512-552-000	1	1
440	Condensate Trap	92099945	341-370-000	1	1
441	Packing		580-0642000	2	2
442	Condensate Trap Plug	92092487	341-369-000	1	1
443	Condensate Drain Tube		513-0051000	1	1
444	Band		553-130-000	1	1
445	Band		553-158-000	1	1
446	Screw		501-0232000	2	2
447	Conection Harness	92098962	290-1795000	1	1
448	Cover		098-2986000	1	1
700	Electric Control Unit Assembly-1-A	92099449	210-0278000	1	1
701	Sub Circuit Board Assembly	92093699	210-605-000	1	1
702	PC Board Cover Side		098-2929000	1	1
703	EC cover-A		098-3332000	1	1
704	Cable Clip (1197)		504-021-000	1	1
706	Ignitor Assembly	92095026	261-157-000	1	1
707	High Tension Code	92092253	203-828-000	1	1
708	Electrode Sleeve	92087030	518-035-000	1	1
709	Thermistor	92099385	233-288-000	1	1
710	Retainer (Large)	92086388	508-836-000	1	1

REU-KM3237WDC-AK

REU-KM3237WDC-50-AK

HDC211e

NO	Part Name	RA Part Number	11 Digit Code	23-9390	23-9412
711	Thermal Fuse Clip		553-056-000	9	9
712	Frost Sensing Switch-E	92097187	234-444-000	1	1
713	Anti Frost Heater	92098972	235-404-000	1	1
715	Valve Heater Assembly	92098974	235-402-000	1	1
716	Heater Fixing Plate	92093301	538-493-000	2	2
717	Heater Fixing Plate A		537-215-000	1	1
718	Heater Fixing Plate	92076123	537-174-000	4	4
720	Power Cord	92089051	206-226-000	1	1
721	Huse Harness	92098954	290-1930000	1	1
722	Power Harness	92098952	290-1931000	1	1
724	Sensor Harness	92098944	290-1941000	1	1
725	Temperature Fuse Harness Assenb	92098946	290-1940000	1	1
726	220V Ignitor Harness	92095039	290-1398000	1	1
727	MR Sensor	92099988	243-176-000	1	1
728	Ignitor Attachment Plate		537-0884000	1	1
729	Remote Controller Harness	92099961	290-1288000	1	1
730	TWIN Thermistor	92099234	233-278-000	1	1
731	Solenoid Connection Harness	92098960	290-1863000	1	1
733	Connection Harness	92098958	290-1865000	1	1
734	Fan Harness	92098966	290-1447000	1	1
744	Heater And Harness	92098980	235-380-000	1	1
750	Status Monitor Assembly	92095032	210-810-000	1	1
800	Screw		501-865-000	5	5
801	Screw		501-0234000	4	4
802	Washer		503-210-000	4	4
803	Screw		501-0235000	3	3
804	Thermistor Fixing Screw		501-295-000	1	1
805	Screw		501-0093000	3	3
806	Tapping Screw		501-737-000	1	1
807	Resin Washer		503-268-000	2	2
810	O-Ring(P4)	92062249	520-209-010	2	2
813	O-Ring(P18)	92071182	520-049-010	3	3

HDC211e

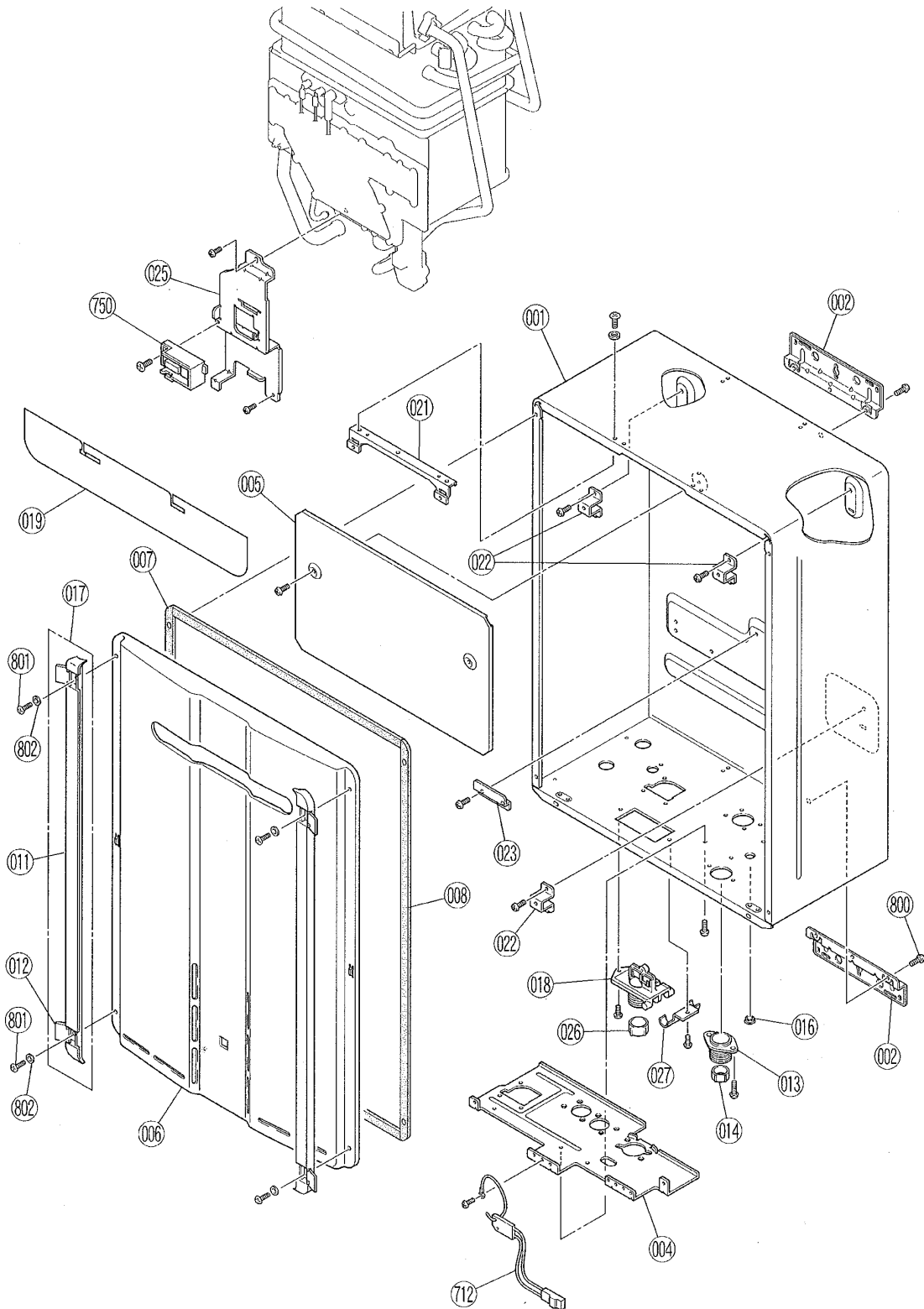
NO	Part Name	RA Part Number	11 Digit Code	23-9390	23-9412
814	O-Ring(P16)	92062199	520-048-010	3	3
815	O-Ring(P14)	92062207	520-193-010	4	4
816	O-Ring(P7)	92062348	520-281-010	1	1
817	O-Ring(P24)	92072859	520-043-010	1	1
818	Packing		580-157-000	1	1
819	Hexagon Bolt		501-395-000	2	2
820	Hexagon Bolt		501-799-000	4	4
821	Hexagon Bolt		511-119-000	2	2
822	Screw		501-403-000	3	3
823	O-Ring(P5)	92071455	520-194-010	1	1
824	O-Ring(P6)	92043223	520-074-010	2	2
825	O-Ring(S4)	90195165	520-300-010	2	2

REU-KM3237WDC-AK

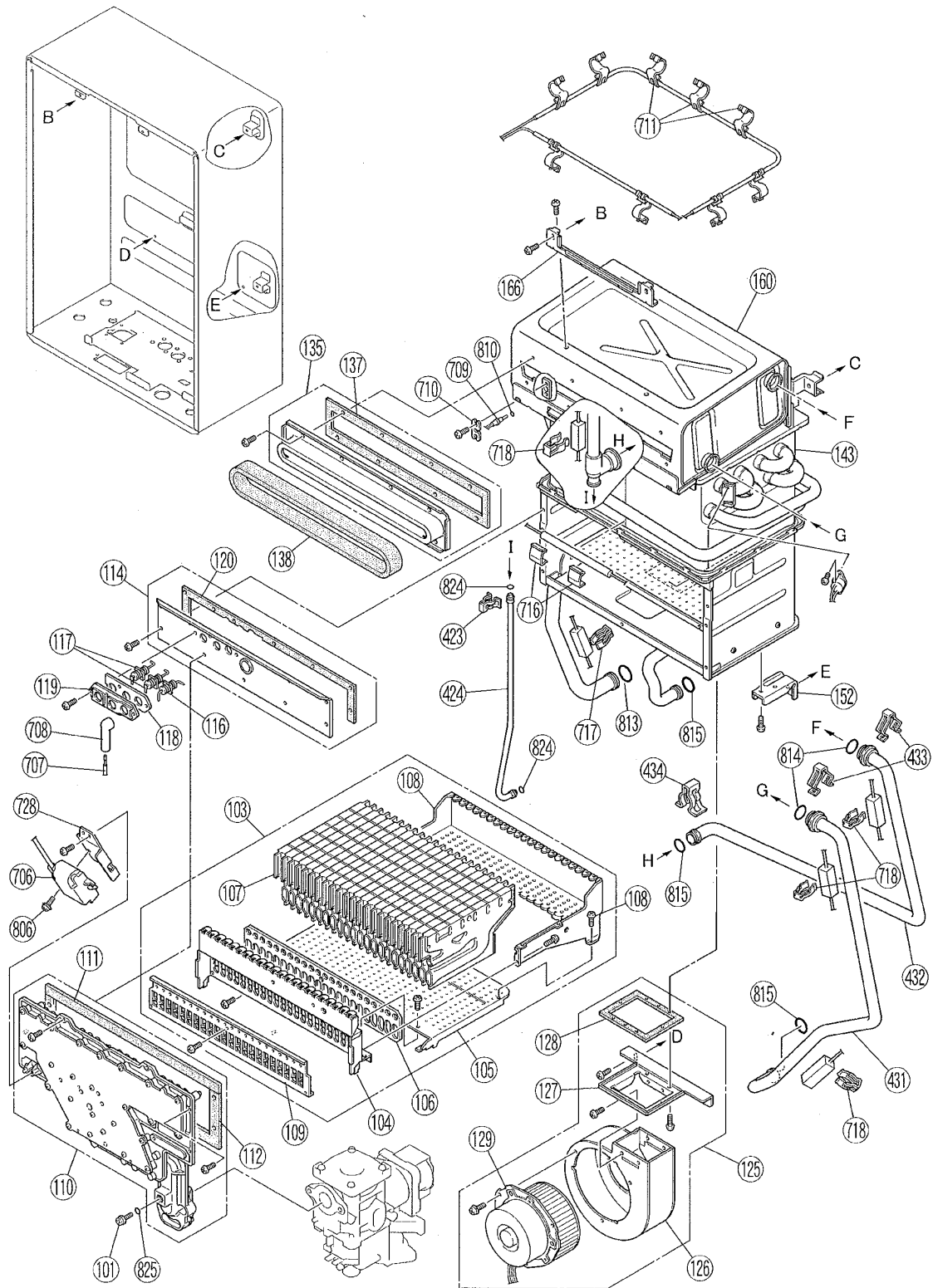
REU-KM3237WDC-50-AK

REU-KM3237WD/C - Exploded Diagram

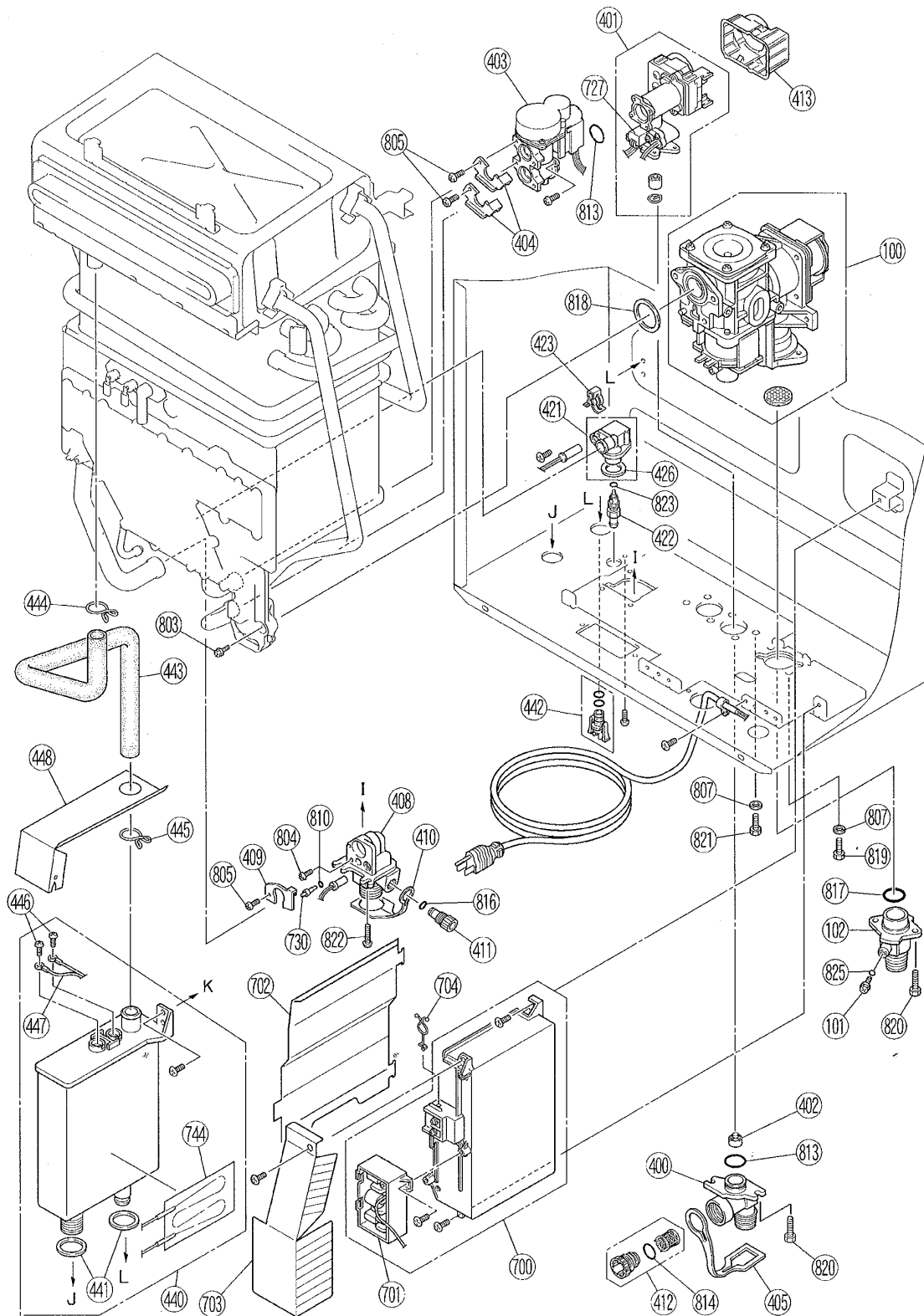
REU-KM3237WD-AK/-ZK/-E
REU-KM3237WDHD-E



REU-KM3237WD-AK/-ZK/-E
 REU-KM3237WDHD-E



REU-KM3237WD-AK/-ZK/-E
 REU-KM3237WDHD-E



REU-KM3237WD-AK/-ZK/-E
REU-KM3237WDHD-E

