

SECURITY BRACKET INSTALLATION INSTRUCTIONS

This Rinnai security bracket is suitable for installation with all Rinnai Hot Water Heater systems.

1. Determine the most suitable position for the Rinnai hot water heater;
2. Affix the appliance via the top-supporting bracket.
3. Fit the back security bracket behind the lower bracket on the Rinnai Hot Water Heater, allowing the centre pin to protrude through the centre keyhole of the lower bracket (Fig 1).

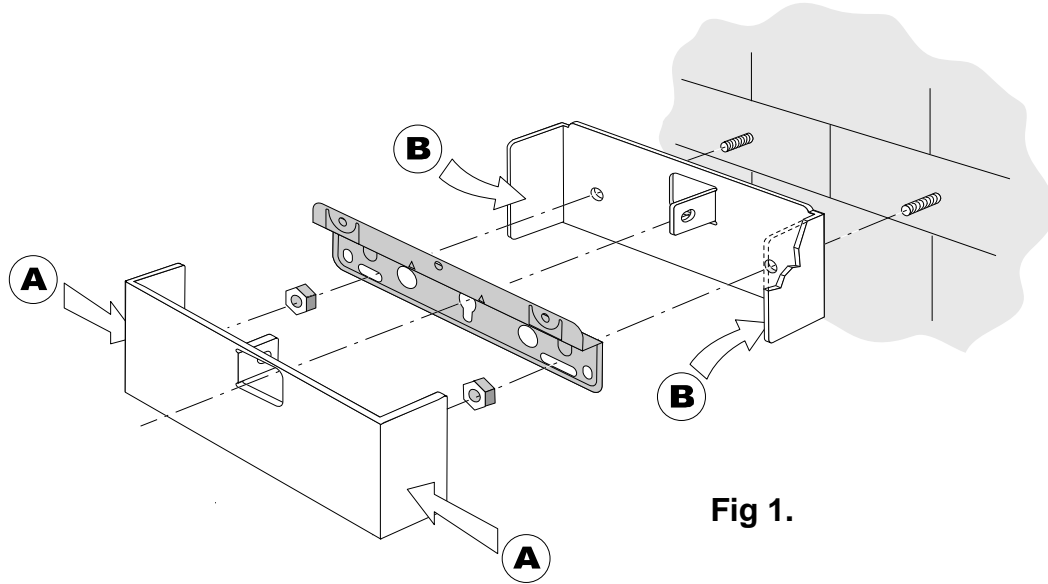


Fig 1.

4. With the brackets in position, mark the position for the two fixing points.
5. Drill two 8mm holes, insert and fix Dyna bolts or equivalent (not supplied) to secure both lower brackets.
6. Connect the gas and water connections.
7. Commission the Infinity hot water heater.
8. Fit the front security bracket so that it covers both the appliance bracket and securing bolts, ensure that the outer sides (A) of the front security bracket are fitted inside the sides of the rear security bracket (B).
9. Attach a padlock and make sure that the keys are left with the owner of the appliance.

Note: Padlock to be provided by installer/owner, padlock shank diameter not to exceed 6mm, inner shackle length no shorter than 50mm, for example Lockwood 120/30/150 or equivalent. Remind the owner to tag and keep the keys in a safe location as they may be required for future access.

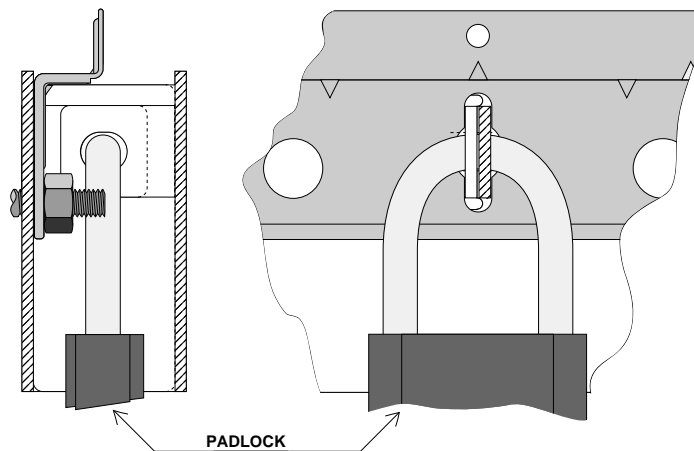


Fig 2.

National Helpline: 1300 555 545, Fax 1300 555 655

Internet: www.rinnai.com.au E-mail: enquiry@rinnai.com.au

Head Office, Australia 100 Atlantic Drive, Keysborough VIC. 3173