

SLIMFIRE 252 - MAIN BODY (V2)

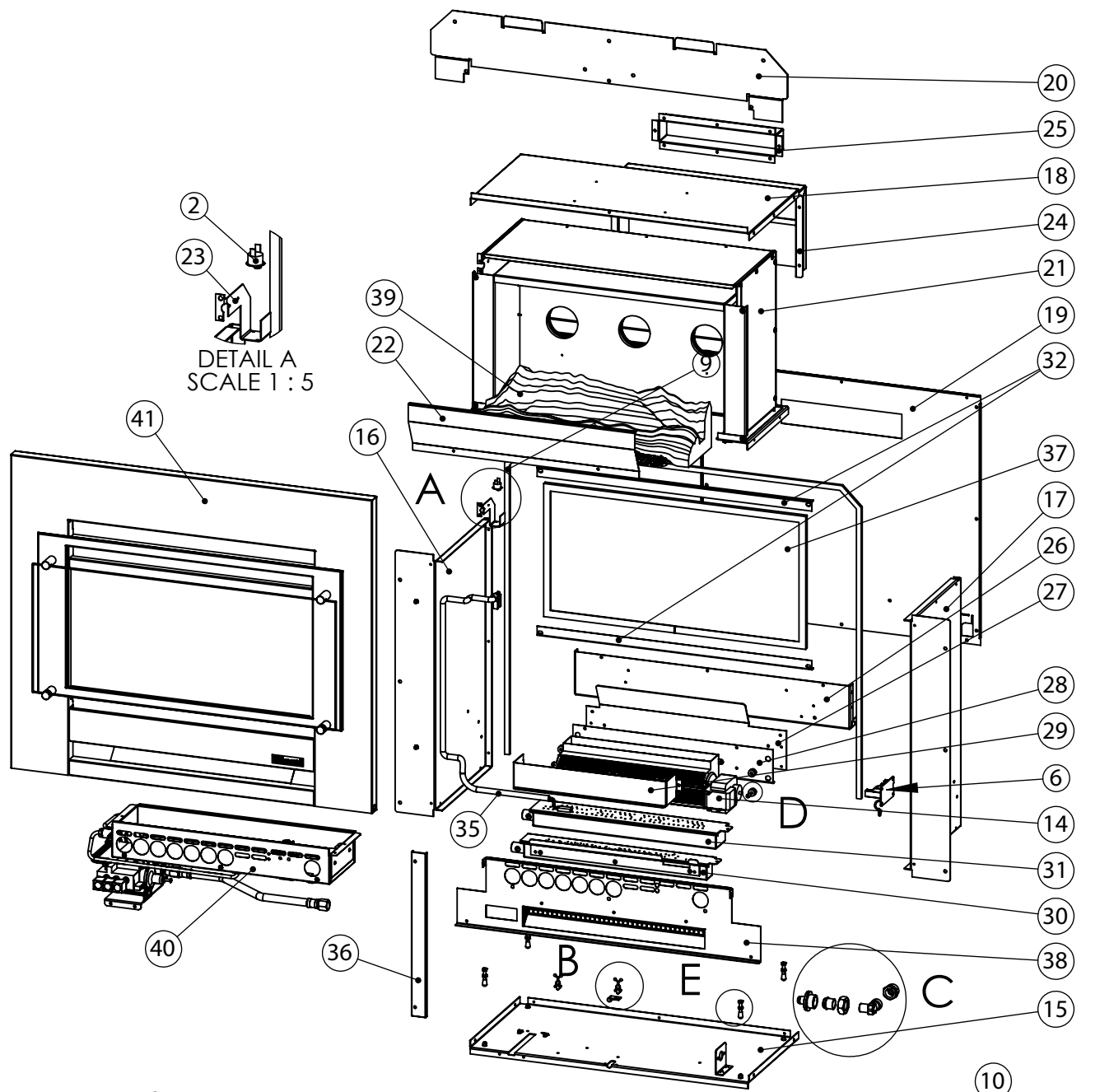
DRAWING No.	DESCRIPTION	RA PART	PART NO.
1	NUT 1/2 COMPRESSION SAPPHIRE	90199772	5064
2	SWITCH FAN IB26 IB30	90169368	6635
3	BARREL REG UNION NUT IB252	90199846	6679
4	ELBOW INLET ASSY 240 280 IB26	90144973	6680
5	CABLE CLIP REH210		6698
6	SPARKER 151 181 212 281 IB26	90169384	6917
7	FAN MTG GROMMET		7129
8	FAN MTG SLEEVE		7130
9	FLUE SEAL IBF		7171
10	SCREW M5X30 HEX HEAD SET ZINC		9117
11	NUT M5 ZP		9190
12	PLASTIC CAP M5 IBF		9551
13	POWERCORD CLAMP H905 No4 IBF		9552
14	FAN CONV IB26 1000 IB300	90193392	R1903
15	PANEL BOTTOM IB26	90193582	10102
16	PANEL SIDE LH ASSY IBF PAINT		10103B
17	PANEL SIDE RH ASSY IBF PAINTED		10104B
18	PANEL TOP IBF		10105
19	PANEL REAR IBF PAINTED		11929B
20	PANEL TOP IB26	90193418	10107
21	COMB CHAMBER ASSY PAINTED IBF		10108
22	SHIELD HEAT IB26	90199910	10109B
23	BRACKET TEMP SWITCH IBF		10115
24	PANEL DRAFT HOOD ASSY IBF		10120
25	PANEL FLUE SPIGOT ASY RECT IBF		10119
26	PANEL FAN SUPPORT IBF		10122
27	PANEL FAN BRACKET IBF		10123
28	BRACKET FAN MOUNTING IBF		10124
29	PANEL FAN GUIDE IBF		10125
30	BURNER FRONT IB26	90193459	10128
31	BURNER REAR IB26	90193467	10129
32	RETAINER GLASS IB26	90193517	10142B
33	ADAPTOR GAS CONN IB252	90199848	10148
34	SLEEVE INLET BRL UNION IB252	90199850	10160
35	HARNESS SWITCH FAN IB26	90198954	10161
36	PANEL WIRE COVER IBF		10162
37	PANEL GLASS FLAT IB26	90193491	10182
28	PANEL FRONT TRIM REAR S2 GLXY		11845GL
39	LOG SET IB252	90199852	11997
40	SEE GAS CONTROL SPARE PART LIST		GASCONTROL AU
41	SEE FRONT FASCIA SPARE PART LIST		FRONT FACSIA
NOT DRAWN	*NLA* LEAD HIGH TENSION	90169385	7205
NOT DRAWN	HARNESS WIRING IB26	90195710	10168
NOT DRAWN	ELEC CORD 3 FF	90182065	6765

SLIMFIRE 252 - FASCIA - V2

DRAWING No.	DESCRIPTION	RA PART	SUPPLIER No.
1	PANEL FRONT OUTER GALAXY RIBF2		11839GL
1	FRONT PANEL ASSY SS RIBF2		11991SS
2	PANEL TOP LVRE FRONT BLK IB252	90199840	11841B
3	PANEL TRIM UPPER BLK IB252	90199842	11842B
4	PANEL FRONT TRIM MID GLXY RIBF2		11843GL
4	FRONT PANEL TRIM MDLE SS RIBF2		11992SS
5	PANEL FRONT TRIM LWR GLXY RIBF 2		11844GL
5	FRONT TRIM LOWER SS RIBF2		11993SS
6	GLASS GUARD REPL IB252	90199854	13623
7	PANEL FRONT INNER FRME BLK RIBF2		11849B
7	PANEL FRONT INNER FRME RIBF SS		11846SS
8	STANDOFF SET GLASS SAP	90199806	11976
9	GROMMET SET GLASS SAP	90199808	11977

SLIMFIRE 252 - GAS CONTROL (V2)

DRAWING No.	RA PART	DESCRIPTION	SUPPLIER No.
1	90193426	GAS CONTROL LP/NG IB26	4995
2	90193442	BUTTON CONTROL 3 240 280 IB26	6617G
3	90142019	SPRING BUTTON 240 280 650 850	6618
4		O RING M10B-1-8	6642
5		TUBE MAIN GAS RETAINER (3)	6643
6	90182290	PILOT ASSY NG FF EXCLUDE 350	7008
6	90188947	PILOT ASSY LP FF 350	7008L
7	90188186	INJ BRAY FRONT 95 LPG FF	7173
7	90183864	INJ BRAY MIDDLE 170 NG FF	7184
8	90183856	INJ BRAY 200 FF	7183
8	90193723	INJ BRAY 460 NG IB26	7156
9	90193483	SLEEVE AERATION 21.0 NG IB26	7296
10	90197377	OLIVE 6MM SYMBN	7519
11	90187808	ELECTRODE IB26 ETR	7521
12	90183880	SLEEVE AERATION 17.00MM NG FF	7258
13	90189325	SLEEVE ELECTRODE FF	7564
14	90193434	INLET FLANGE IB26	7856
15		INJECTOR BLOCK A+B+C+D	7958
16		INJECTOR BLOCK A+B+C	7959
17		THERMOCOUPLE RETAINER	9377
18		GROMMET IMB305 19MM	9550
19		PRESS. TEST POINT	9992
20		PRESS. TEST POINT SCREW	9994
21		PRESS. TEST POINT PACKING	9995
22		BRACKET CONTROL MOUNTING IBF	10126
23		GAS SUPPLY TUBE A IBF	10130
24		GAS SUPPLY TUBE B IBF	10131
25		GAS SUPPLY TUBE C IBF	10132
26	90197369	TUBE PILOT GAS SUPPLY IB26	10134
27	90193717	BYPASS 1.40 NG IB26	10158
27	90193707	BYPASS 0.90 LP IB26	10159
28	90199844	HOSE SS 10X400 3/8 SAE IB252	10147
29	90193475	THERMOCOUPLE IB26	10157
30		PANEL BURNER BOX ASSY S2	11847



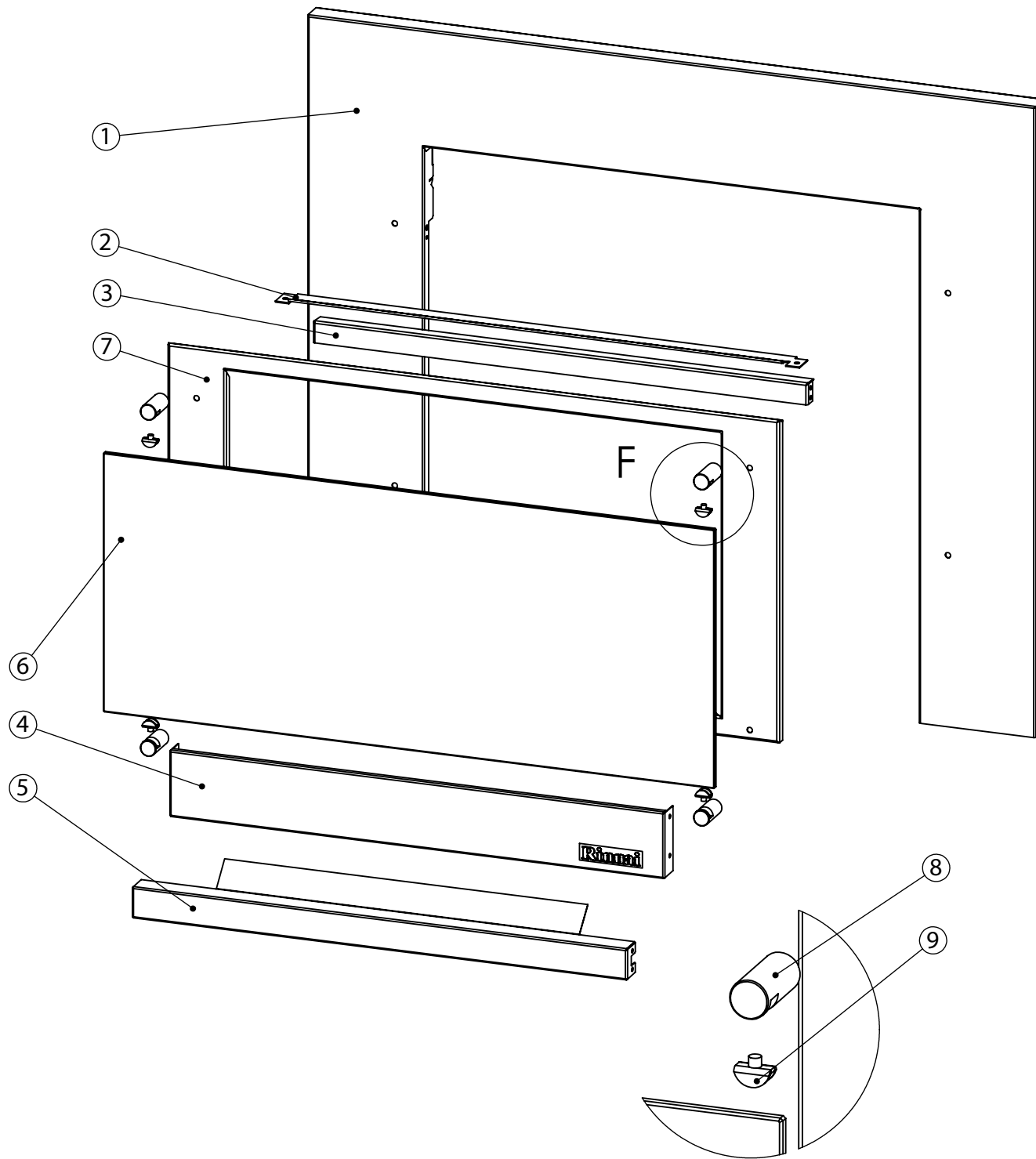
2
23
DETAIL A
SCALE 1 : 5

5
13
DETAIL B
SCALE 1 : 2

33 34 3 4 1
DETAIL C
SCALE 1 : 3

8 7
DETAIL D
SCALE 1 : 2

10
11
12
DETAIL E
SCALE 1 : 2



DETAIL F
SCALE 1 : 2

