

RINNAI SIDEWAYS FLUE DIVERTER - INSTALLATION MANUAL

General Information

The Rinnai Sideways Flue Diverter fits the following Rinnai continuous flow external water heater models:

SFD-01	SFD-02	SFD-03
REU-VR2626WGP REU-VRM2626WG/D REU-VR2626WB REU-VR2426WS	REU-VRM1620WG REU-VR1620WB REU-VR1620WS	REU-VRM2024WG REU-VR2024WB

They are **NOT** compatible with any other Rinnai or other manufacturers' appliance. For information regarding the compatibility with superseded Rinnai continuous flow external water heater models, contact Rinnai.

Rinnai Sideways Flue Diverters are certified by the Australian Gas Association (AGA) as components of the water heater appliances with which they are compatible. For the certification number see the data plate on the appliance.



Installation of heater and flue system shall be in accordance with:

- **Manufacturers Installation Instructions.**
- **Current AS/NZS 5601 Gas Installations.**
- **Local Regulations and Municipal Building Codes.**

Installation, service and removal by an Authorised Person only.

Continuous flow water heater to be installed in accordance with the 'Operation / Installation Manual' supplied with the appliance.

Applications

Rinnai Sideways Flue Diverters are intended for fitting to Rinnai continuous flow external water heaters installed on balconies, patios or similarly enclosed areas to facilitate free discharge of combustion products out of the enclosed area.

This may not occur if the appliance is installed without the Rinnai Sideways Flue Diverter.

Rinnai continuous flow external water heaters mounted against a wall without the Rinnai Sideways Flue Diverter will expel flue products in a horizontal direction outwards and away from the wall against which the appliance is mounted.

Fitment of the Rinnai Sideways Flue Diverter results in the flue products being expelled from the appliance in a sideways direction, along the wall as shown in Figure 1.

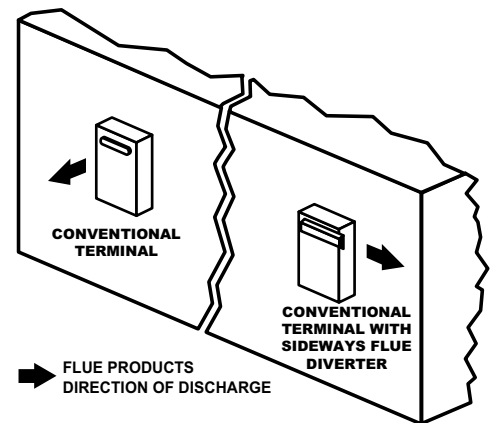


Figure 1 - Flue Discharge

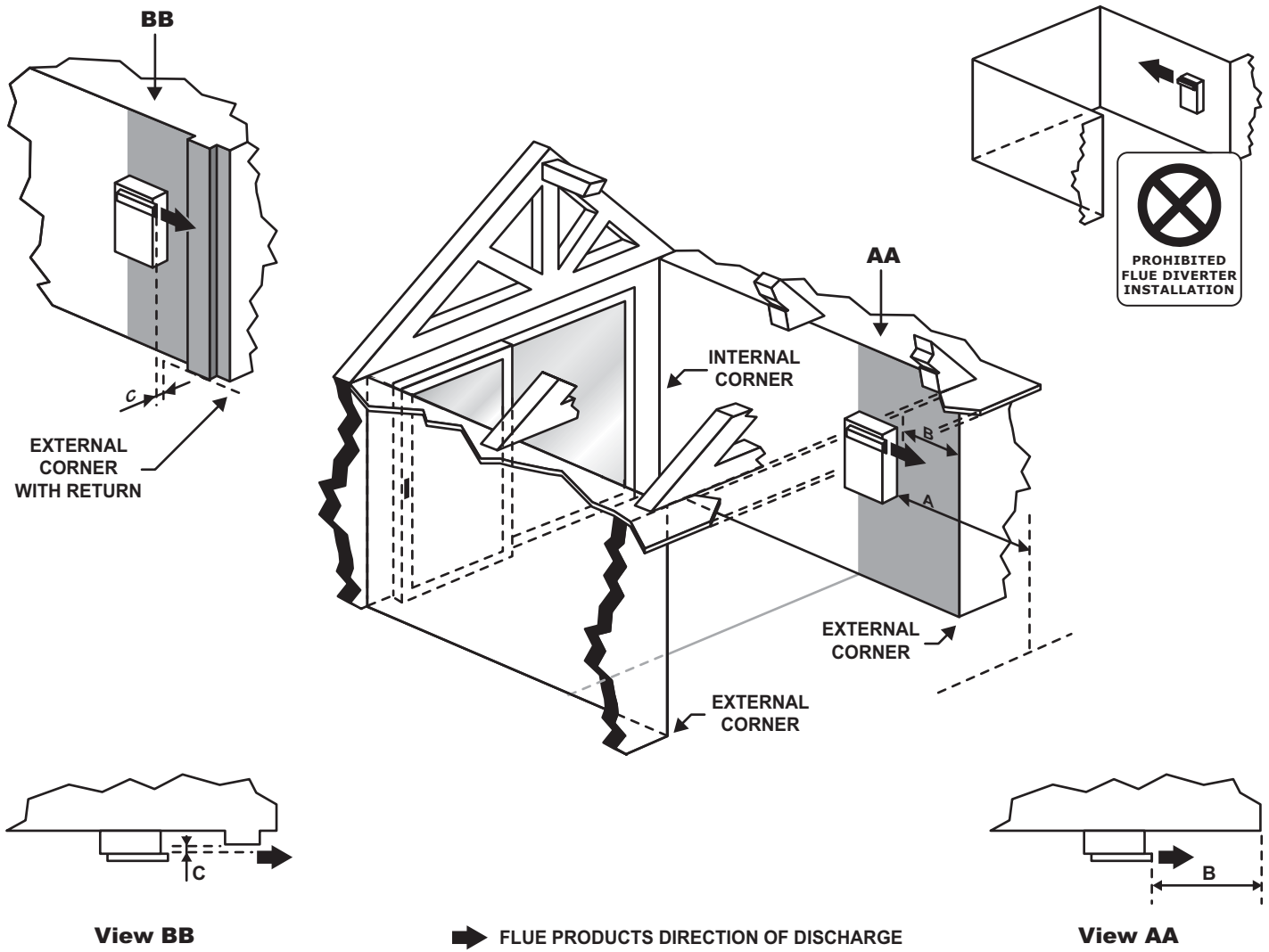
Installation Requirements

Figure 2 (on page 2) shows the location conditions and clearances which apply when Rinnai continuous flow external water heaters are fitted with the Rinnai Sideways Flue Diverter and installed on balconies, patios or similarly enclosed areas. Other relevant clearances in Figure 6.2 of AS/NZS 5601 continue to apply when the Rinnai Sideways Flue Diverter is fitted.



- **Fitment of a Rinnai Sideways Flue Diverter is suitable ONLY when all flue products result in being expelled freely into an above ground open-air situation with natural ventilation, without stagnant areas where products of combustion are rapidly dispersed by wind and natural convection.**
- **Rinnai Sideways Flue Diverters are compatible for installation with Rinnai metallic Recess box RBOX04/RBOX04L only. They must not be used with any other Rinnai recess boxes, including the plastic Smartbox model.**
- **Rinnai Sideways Flue Diverters are suitable for single water heater applications only. They are NOT suitable for multiple installations of Rinnai continuous flow external water heaters on one balcony, patio or similarly enclosed space.**
- **Rinnai Sideways Flue Diverters are certified for use only with the Rinnai continuous flow external water heater models listed in this Instruction. They are NOT compatible with any other Rinnai or other manufacturers' appliances.**

LOCATION CONDITIONS AND CLEARANCES



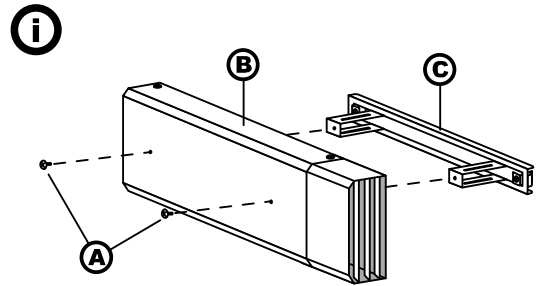
Ref.	ITEM	Clearances (mm)
A	Minimum horizontal clearance between the flue diverter and any obstructions in the direction of discharge.	500
B	Maximum horizontal distance between the flue diverter and the external corner of the mounting wall, in the direction of discharge. (See Note 1).	MAXIMUM 500
C	Clearance from a return on the external corner of the mounting wall.	20
Notes:		
1. If the horizontal distance between the flue diverter and the external corner of the mounting wall in the direction of discharge exceeds the maximum distance of 500mm, flue products may not be adequately dispersed from the enclosed area.		
IMPORTANT:		Exclusion Zone
1	Gas meters, electricity meters, fuse boxes, drain pipes, soil pipes, flue terminals, combustion air intakes, openable windows, non mechanical air inlets or any other openings with the exception of sub floor ventilation on the side of the appliance along the mounting wall in the direction of discharge from the flue diverter are not permitted in the area encompassed by the exclusion zone.	■
2	The Rinnai Sideways Flue Diverter is suitable for single water heater applications only. The Rinnai Sideways Flue Diverter is not suitable for multiple installations of Rinnai continuous flow external water heaters on one balcony, patio or similarly enclosed area.	
3	Other relevant clearances in AS/NZS 5601 Figure 6.2 continue to apply.	

Figure 2 - Location Conditions and Clearances

INSTALLATION

i Preparation

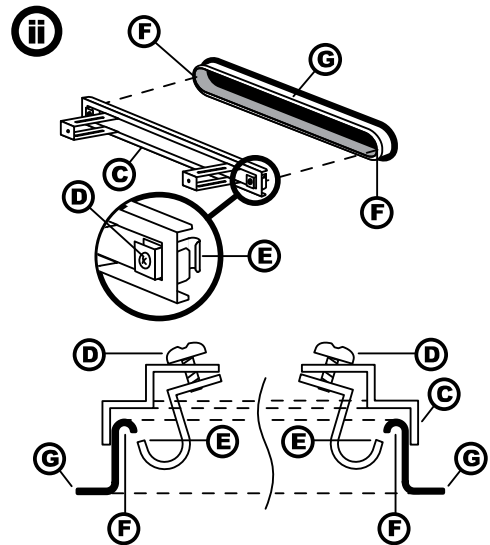
1. Unpack the flue diverter assembly from its packaging.
2. Remove the two retaining screws (A) from the front of the box panel (B).
3. Separate the mounting bracket (C) from the rear of the box panel (B).



ii Fitting Mounting Bracket To The Appliance

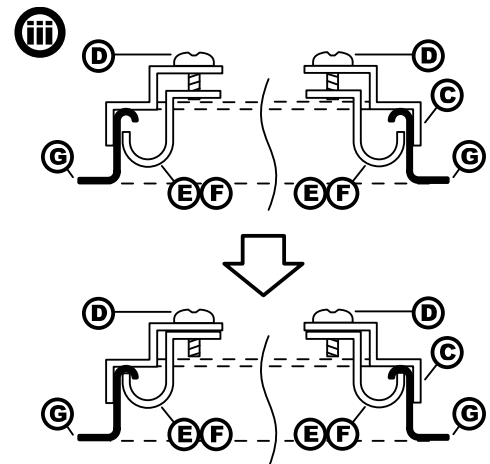
4. Loosen the 2 adjustment screws (D) located on both ends of mounting bracket (C).

This allows cup hooks (E) of the mounting bracket (C) to be positioned inside the lip (F) of the appliance flue terminal (G).



iii Securing Mounting Bracket To The Appliance

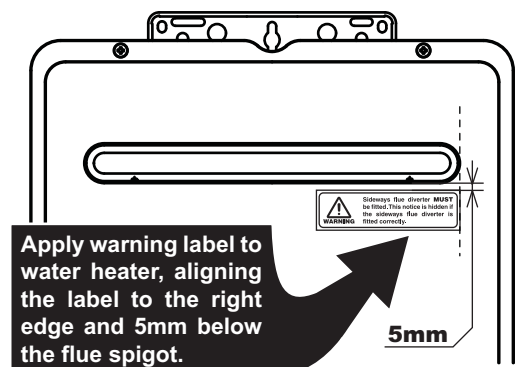
5. Align the cup hooks (E) with the lip (F) so that when the 2 adjustment screws (D) are re-tightened both will engage.
6. Re-tighten the 2 adjustment screws (D) until the cup hooks (E) and the lip (F) are firmly engaged and secured.



7. Apply the warning label to water heater, aligning the label to the right edge and 5mm below the flue spigot as shown.



The warning label becomes hidden once the Rinnai Sideways Flue Diverter is fitted to the appliance. This warning label reminds a service person to replace the Rinnai Sideways Flue Diverter after servicing activities.

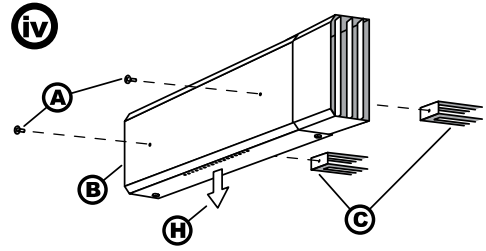


INSTALLATION

iv Attaching The Box Panel

8. Re-attach the box panel (B) to the mounting bracket (C) with the retaining screws (A) removed in step 2.

Ensure that the drainage holes (H) are pointing downwards. See step v for details of left or right handed flue product discharge.

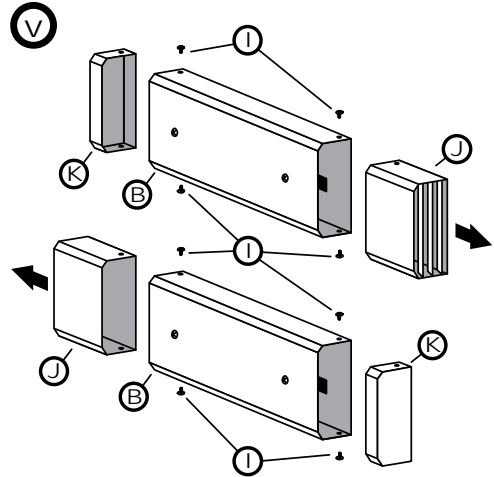


v Left Or Right Handed Installations

1. The Rinnai Sideways Flue Diverter can be installed for left or right handed flue product discharge.

To set the direction of discharge remove the four retaining screws (I) from the top and bottom of the box panel (B).

2. Remove both the terminal (J) and the blanking plate (K) from each and reverse their positions to suit discharge requirements.
3. Re-secure the terminal (J) and the blanking plate (K) in the new position with the four retaining screws (I) removed in step 1.



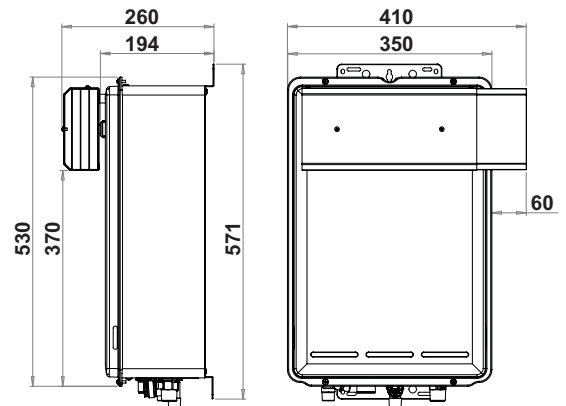
➔ FLUE PRODUCT DIRECTION OF DISCHARGE

Sideways Flue Installation Key Dimensions



A right hand installation is shown. Reverse horizontal dimensions for left hand installations.

NOTE



Rinnai Australia Pty. Ltd. ABN 74 005 138 769

Head Office

100 Atlantic Drive
 Keysborough VIC 3173
 P.O. Box 460
 Braeside, Victoria 3195
 Tel: (03) 9271 6625
 Fax: (03) 9271 6622

Internet: www.rinnai.com.au E-mail: enquiry@rinnai.com.au

National Help Line

Tel: 1300 555 545*
 Fax: 1300 555 655*

*Cost of a local call, higher from mobile or public phones.

Please note that the contact details listed are for installations in Australia only. For all enquiries outside of Australia please contact your local Rinnai supplier or service agent.