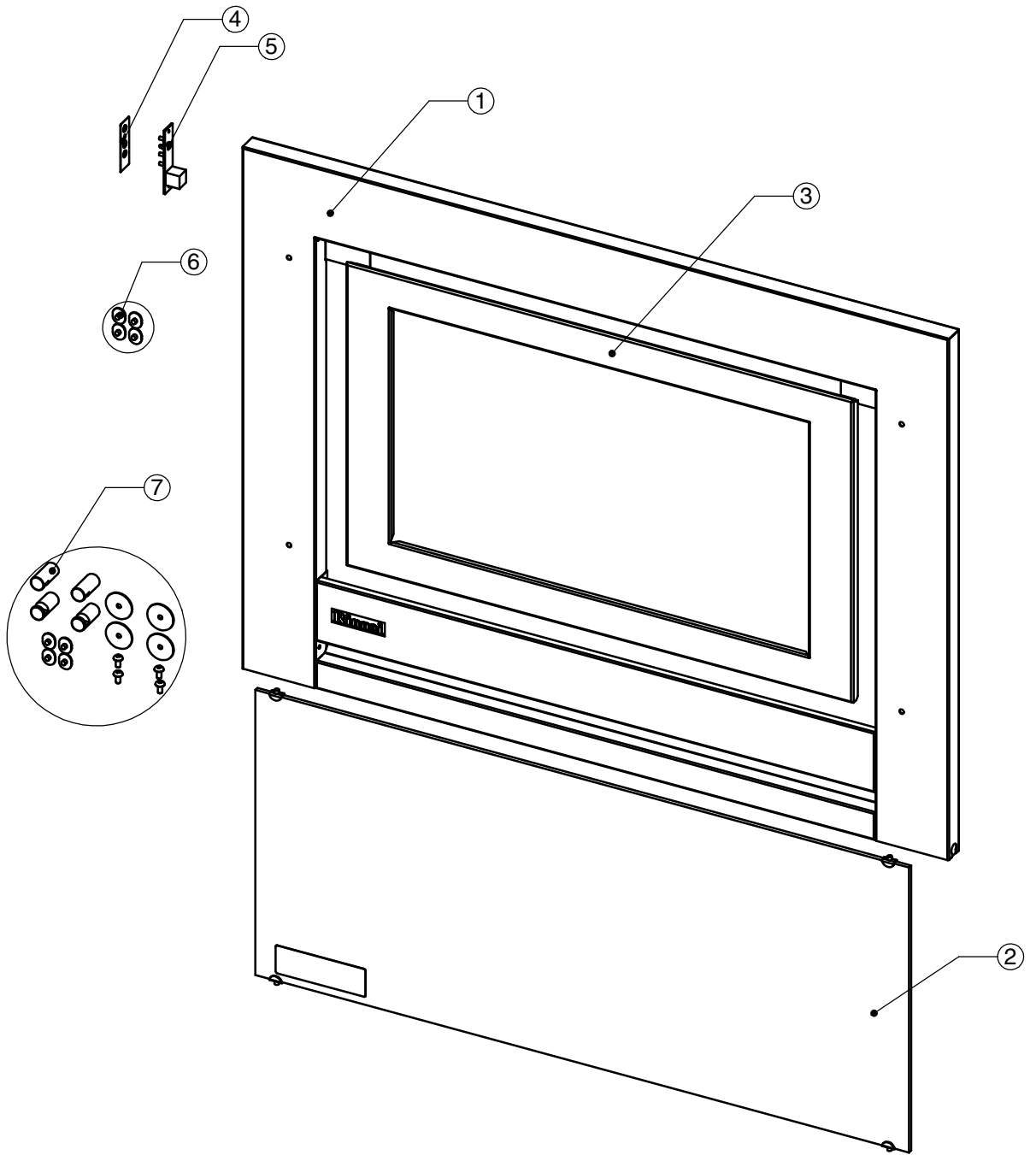
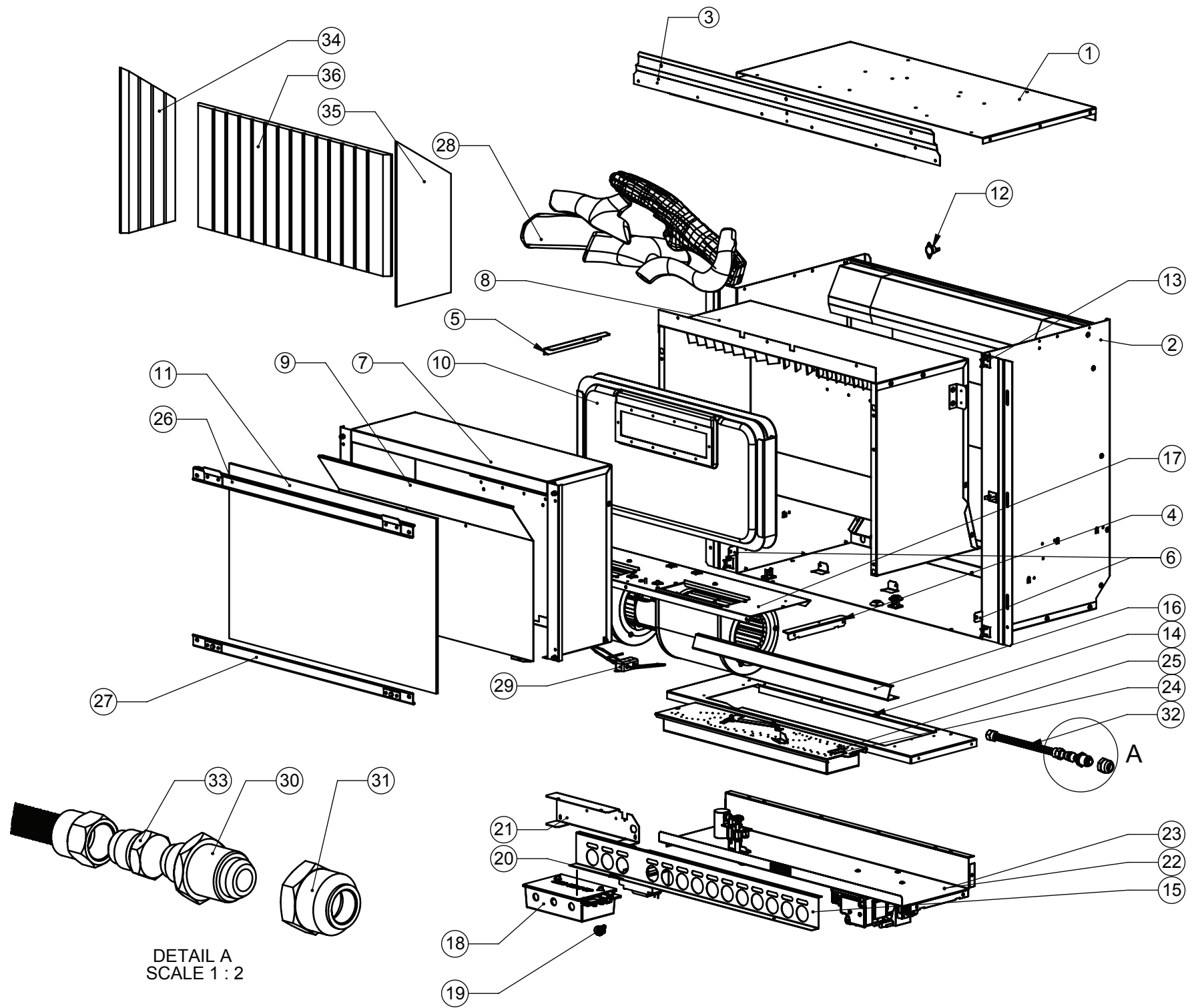


ITEM NO.	RA PART	DESCRIPTION
1	90199791	PANEL TOP SAPPHIRE
2		BODY OUTER ASSEMBLY PAINTED
3	90199793	TRIM PANEL TOP SAPPHIRE
4		FAN MOUNT BRACKET RH
5		FAN MOUNT BRACKET LH
6		SURROUND RETAINING BRACKET
7	90197538	COMBUSTION CHAMBER ASSY SAPP
8		OUTR AIRGUIDE SPARE BLK RIB23
9	90197539	INNER SHIELD COMB SAPP
10		HEAT EXCHANGE ASSY RIB23
11	90199758	PANEL GLASS SAPPHIRE
12	90176488	OHS (80C OFF) 506 516 318 SAPPHIRE
13		CABLE CLIP
14		BURNER SURROUND PAINTED
15		BURNER AIR INTAKE PAINTED
16		PILOT SHIELD C2 BLK
17	90199760	FAN CONV SAPPHIRE
18	90199721	PCB ASSY SYMBN SAPPHIRE
19		POWER CORD HOLDER 21-MP6N4B
20	90199723	TRANS SYMBN SAPPHIRE
21		ELECTRONICS MOUNTING BRACKET
22	For entire component detail Refer to Drawing on page 31	GAS CONTROL & PILOT ASSY NG/LPG
23		
24	90199762	BURNER ASSY NG SAPPHIRE
25	90199764	BURNER ASSY LPG SAPPHIRE
26	90199794	RETAINER TOP ASSY GLASS SAPP
27	90199796	RETAINER BTM ASSY GLASS SAPP
28	90198921	LOG SET SAPPHIRE RIB2311
29		FILTER ASSY EMI RDV3600
30	90199770	ADAPTOR 1/2 BSP 3/8 SAE FLARE
31	90199772	NUT 1/2 COMPRESSION SAPPHIRE
32	90199647	FLEXITUBE 1000 SAPPHIRE
33	90199774	PLUG BRASS 3/8" SAE FLARE
34	90198923	PANEL CERAMIC L/H SAPPHIRE
35	90198927	PANEL CERAMIC R/H SAPPHIRE
36	90198929	PANEL CERAMIC REAR SAPPHIRE
37		BURNER SUPPORT
38		GAS CONTROL MOUNTING BRACKET C2
39	90199761	GAS CONTROL LP/NG 1000 SYMBN
40	90199597	SPARKER 1000 SYMBN SAP
41		PILOT TUBE REPL ASSY RIB23
42		GAS SUPPLY TUBE C2
43		INJECTOR BLOCK
44	90198984	INJ MAIN 2.8 NG 752

44		INJECTOR 1.55
45		GROMMET SILICON 2Ø1.8 HOLE 750
46		GROMMET SILICONE Ø4 HOLE R750
47	<b>90199780</b>	REDUCING FLARE 3/8 X 1/2 BF
48		SCREW M4 X 8 PHPMZ SPRINGWASH
49		SCREW 2 TRUSS 4 X 8 TAP ZINC
50	<b>90199955</b>	INJ PILOT NG 750 SYMBN SAPPHIRE
50	<b>90199956</b>	INJ PILOT LP 750 1000 SYM ETR
51		ELECTRODE NUT ETR
52		ELECTRODE NUT (S.I.T)
53	<b>90199803</b>	PILOT HEAD 1000 SYMBN SAPPHIRE
54	<b>90199843</b>	PILOT BODY LUM SAP
55	<b>90199746</b>	ELECTRODE 1000 SYMBN SAPPHIRE
56		SPACER ELECTRODE PILOT
57		PILOT BRACKET
58		SILICONE TUBE 25x9.5x6.4
59	<b>90199701</b>	ADAPTOR 1/2" BSPT SYMBN
NOT DRAWN	<b>90199776</b>	HARNESS WIRING SAPPHIRE
NOT DRAWN	<b>90199778</b>	HARNESS OHS SAPPHIRE
NOT DRAWN	<b>90199688</b>	ELEC CORD 1000 SYMBN SAPPHIRE
NOT DRAWN	<b>90199767</b>	HARNESS OHS SYMBN SAPPHIRE
NOT DRAWN	<b>90188036</b>	HARNESS PCB TO CTRL 1.4M CAT5
NOT DRAWN	<b>90199782</b>	HARNESS SENSOR SAPPHIRE
NOT DRAWN	<b>90199784</b>	HT LEAD SAPPHIRE
NOT DRAWN	<b>90150301</b>	INSTALLATION FOAM SEAL







DETAIL A  
 SCALE 1 : 2