

INFINITY 26 SMARTSTART (REU-VR2626WGP-AK)

NO	PART NAME	RA CODE	RJ 11 DIGIT CODE	Quantity Required
001	PANEL FRONT (DOES NOT INCLUDE SCREWS)	92098919	019-4346000	1
002	SEAL PANEL FRONT TOP	92086909	580-453-000	1
003	SEAL PANEL FRONT SIDE	92086917	510-903-000	2
005	OUTER CASE	92098931	014-504-000	1
010	Connection Reinforcement Panel		044-192-000	1
011	Heat Insulation Plate		030-0279000	1
012	P.C.B Bracket		538-0666000	1
013	BRKT WALL	92093479	106-292-000	2
014	Seal Packing		510-893-000	1
015	HARNESS EASY CONNECT	92098905	106-665-000	1
016	CLIP SUPPORT	92095896	538-840-000	1
017	Rubber Bushing		194-152-000	1
100	INLET GAS	92081587	106-290-000	1
101	CONTROL GAS CONNECTION	92098903	106-682-000	1
102	Bracket		538-0403000	1
103	GAS CONTROL	92099198	120-0028000	1
104	MANIFOLD LP	92099264	101-753-000	1
104	MANIFOLD NG	92099266	101-754-000	1
105	MANIFOLD PACKING UPPER	92098910	580-0578000	1
106	MANIFOLD PACKING LOWER	92099294	580-0576000	1
107	Burner Case Front		098-0821000	1
108	Packing		580-597-000	1
109	Damper-A		140-608-000	1
110	Burner Low Nox Bunsen Assy		157-083-000	22
111	Burner Case Rear		098-412-000	1
112	Combustion Chamber Front Panel Assy		019-4090000	1
113	Combustion Chamber Packing Upper		580-0577000	1
114	ELECTRODE	92086974	202-156-000	1
115	ELECTRODE FR	92095598	202-215-000	1
116	PACKING ELECTRODE	92099214	580-0569000	1
117	ELECTRODE HOLDER	92099216	538-0572000	1
118	SLEEVE ELECTRODE	92087030	518-035-000	1
119	HEAT EXCHANGER	92098924	314-810-000	1

INFINITY 26 SMARTSTART (REU-VR2626WGP-AK)

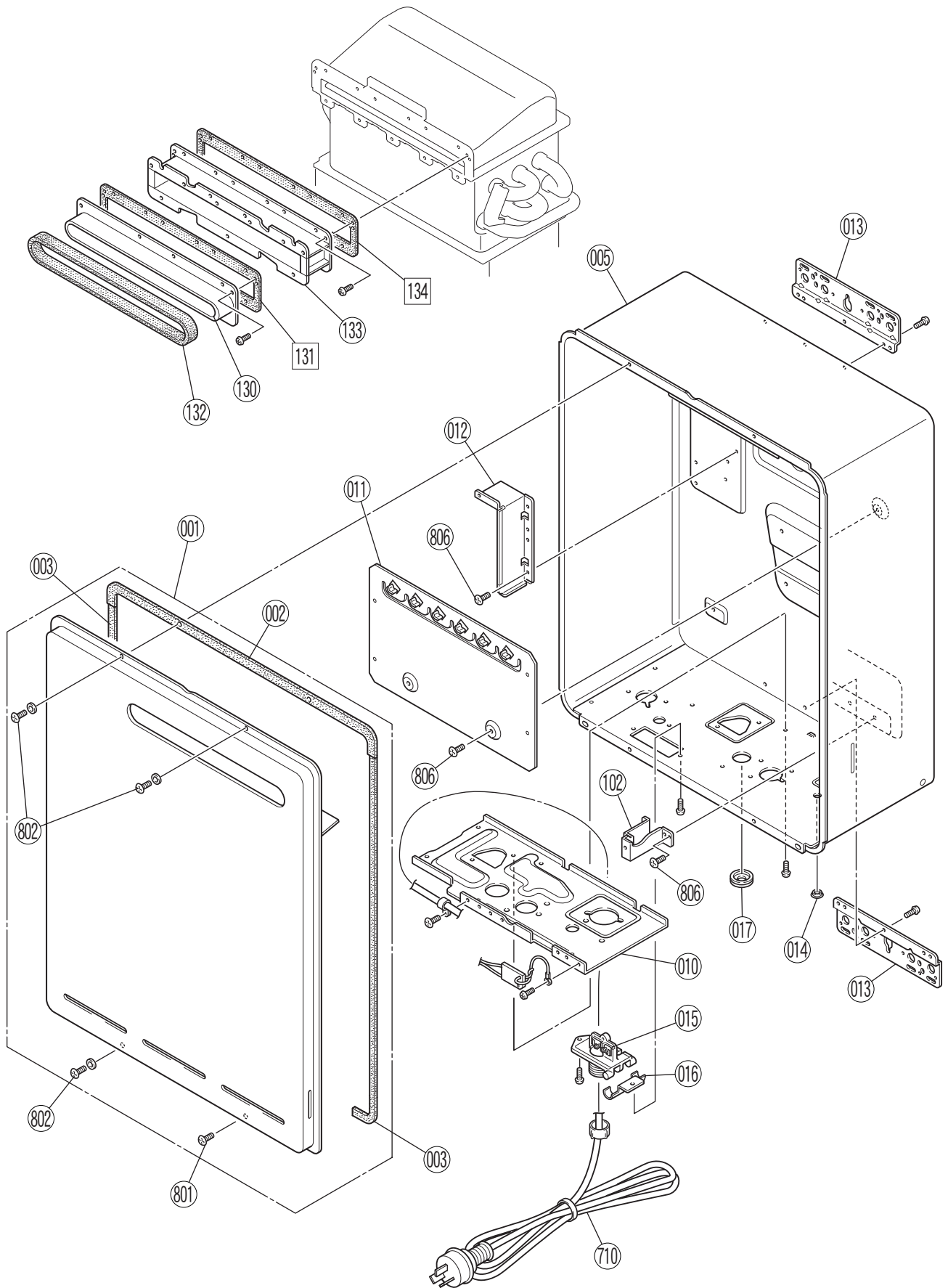
NO	PART NAME	RA CODE	RJ 11 DIGIT CODE	Quantity Required
120	BRKT THERMISTOR	92093315	538-615-000	1
121	BRKT H/EXCH OUTLET	92099548	537-502-000	1
122	BURNER ASSY	92099270	157-139-000	1
130	EXHAUST FLUE	92099976	055-858-000	1
131	GASKET EXHAUST FLUE	92098904	580-599-000	2
132	SEAL EXHAUST	92098902	580-601-000	1
133	FLUE EXTENSION ASSY	92098917	055-0011000	1
134	GASKET EXHAUST EXTENSION	92098906	580-0668000	1
150	FAN COMB ASSY	92098988	222-613-000	1
400	WATER FLOW SENSOR	92099957	301-152-000	1
401	Cover		098-1445000	1
402	INLET BYPASS	92098922	326-229-000	1
403	INLET ELBOW	92098920	326-230-000	1
404	VALVE INLET NON RETURN CUG1	92097088	340-044-000	1
405	VALVE DRAIN	92097120	337-034-000	2
406	Drain Valve Band A		324-003-000	1
407	Pump Tube		332-0237000	1
408	Clip		512-552-000	3
409	INLET WATER 3/4	92095901	333-483-000	2
410	RECTIFIER WATER	92093552	330-107-000	2
411	FILTER WATER 0 LARGE	92083773	196-062-000	2
412	Plug Band		553-119-000	2
413	OUTLET WATER 3/4	92099970	333-304-000	1
414	Plug Band		553-043-000	1
415	VALVE PRESS RELEASE	92098912	337-123-000	1
500	PUMP WATER ASSY	92097039	270-076-000	1
501	Rubber Cap		540-038-000	4
502	HARNESS 2 WIRE	92097161	204-836-000	1
503	S Pump Base		013-385-000	1
504	D Pump Bracket Base		013-384-000	1
505	Pump Bracket Panel B		538-357-000	1
506	Pump Drain Tube Assembly		332-0238000	1
507	INLET DRAIN VALVE	92098918	333-461-000	1
508	Plug Band		553-173-000	1

INFINITY 26 SMARTSTART (REU-VR2626WGP-AK)

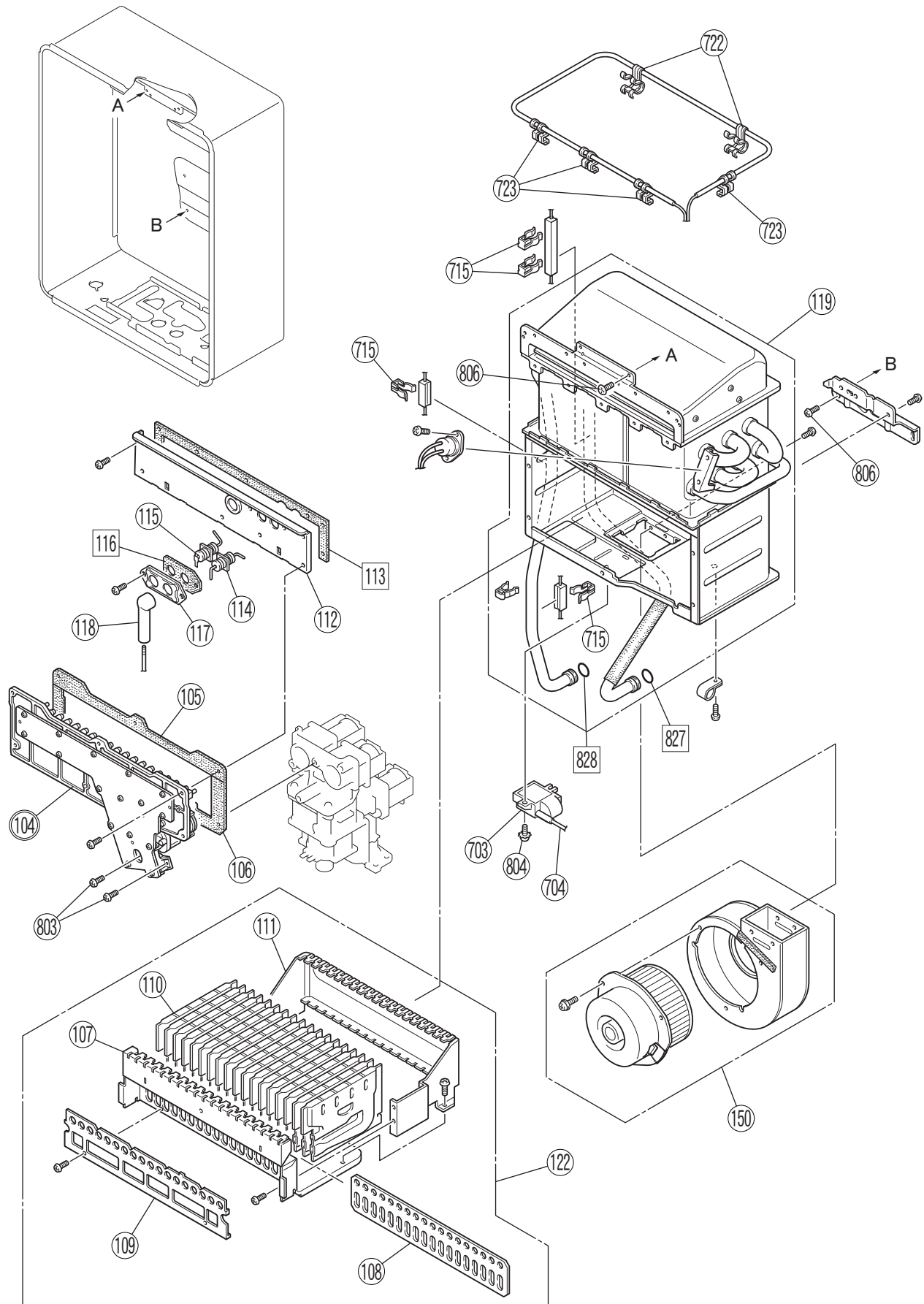
NO	PART NAME	RA CODE	RJ 11 DIGIT CODE	Quantity Required
509	Clip		512-550-000	1
510	Connector		326-185-000	1
511	THERMISTOR 1	92095030	233-246-000	1
512	Pump Tube		332-0239000	1
513	Fixing Bracket		537-501-000	1
700	PCB MAIN	92095056	210-0269000	1
700	PCB MAIN - 50°C	92095055	210-0267000	1
701	PC Board Cover Front		098-1853000	1
702	PC Board Cover Side		098-3009000	1
703	SPARKER	92095026	261-157-000	1
704	LEAD HT	92098994	203-264-000	1
705	SURGE ARRESTOR	92093699	210-605-000	1
706	Surge Protector Cover		098-3004000	1
707	PCB MAIN CUG1 (10 MIN DELAY)	92098268	210-691-000	1
707	PCB MAIN CUG1 (1 HOUR DELAY)	92097047	210-680-000	1
708	PC Board Cover Front		098-3005000	1
709	TRANS	92097054	224-347-000	1
710	ELEC CORD	92089051	206-226-000	1
711	FUSE PUMP	92098942	290-1955000	1
712	HEATER PUMP A-FROST	92098970	235-407-000	1
713	HEATER HEX A-FROST	92098968	235-408-000	1
714	SWITCH THERMAL CUG1	92097187	234-444-000	1
715	CLIP HEATER	92076123	537-174-000	6
716	HARNESS POWER	92095027	290-1285000	1
717	HARNESS MAGNET VALVE	92098940	290-1956000	1
718	HARNESS SENSOR A-FROST	92098938	290-1957000	1
719	HARNESS SENSOR WATERFLOW	92098936	290-1958000	1
720	HARNESS PCB TO PCB	92098934	290-1959000	1
721	FUSE THERMAL	92098964	290-1767000	1
722	Thermal Fuse Fixing Plate		537-505-000	2
723	Thermal Fuse Fixing Plate		537-0110000	4
724	SENSOR MR	92099988	243-133-000	1
725	HARNESS TWIN THERMISTOR	92099234	233-278-000	1
726	HARNESS RELAY	92099236	290-1748000	1

INFINITY 26 SMARTSTART (REU-VR2626WGP-AK)				
NO	PART NAME	RA CODE	RJ 11 DIGIT CODE	Quantity Required
800	SCREW TEST POINT	92099956	501-275-005	2
801	Screw		501-889-000	4
802	Screw		501-973-010	3
803	Screw		501-0064000	3
804	Screw		501-737-000	4
805	Screw		501-295-000	2
806	Screw		501-0259000	15
807	Screw		501-0260000	2
820	O RING (S4) TEST POINT	90195165	520-300-010	2
821	O RING GAS CON	92072859	520-043-010	2
822	O RING GAS CONTROL	92096502	580-180-000	2
823	O RING THERMISTOR	92062249	520-209-010	2
824	O RING BYPASS	92071455	520-194-010	2
825	O RING WATER 6MM	92043223	520-074-010	2
826	O RING	92062348	520-281-010	1
827	O RING HEAT EXCHANGER	92072800	520-255-010	5
828	O RING HEAT EXCHANGER	92062207	520-193-010	1
829	O RING HEAT EXCHANGER	92062199	520-048-010	2
830	O RING IN/OUT WATER	92071182	520-049-010	4

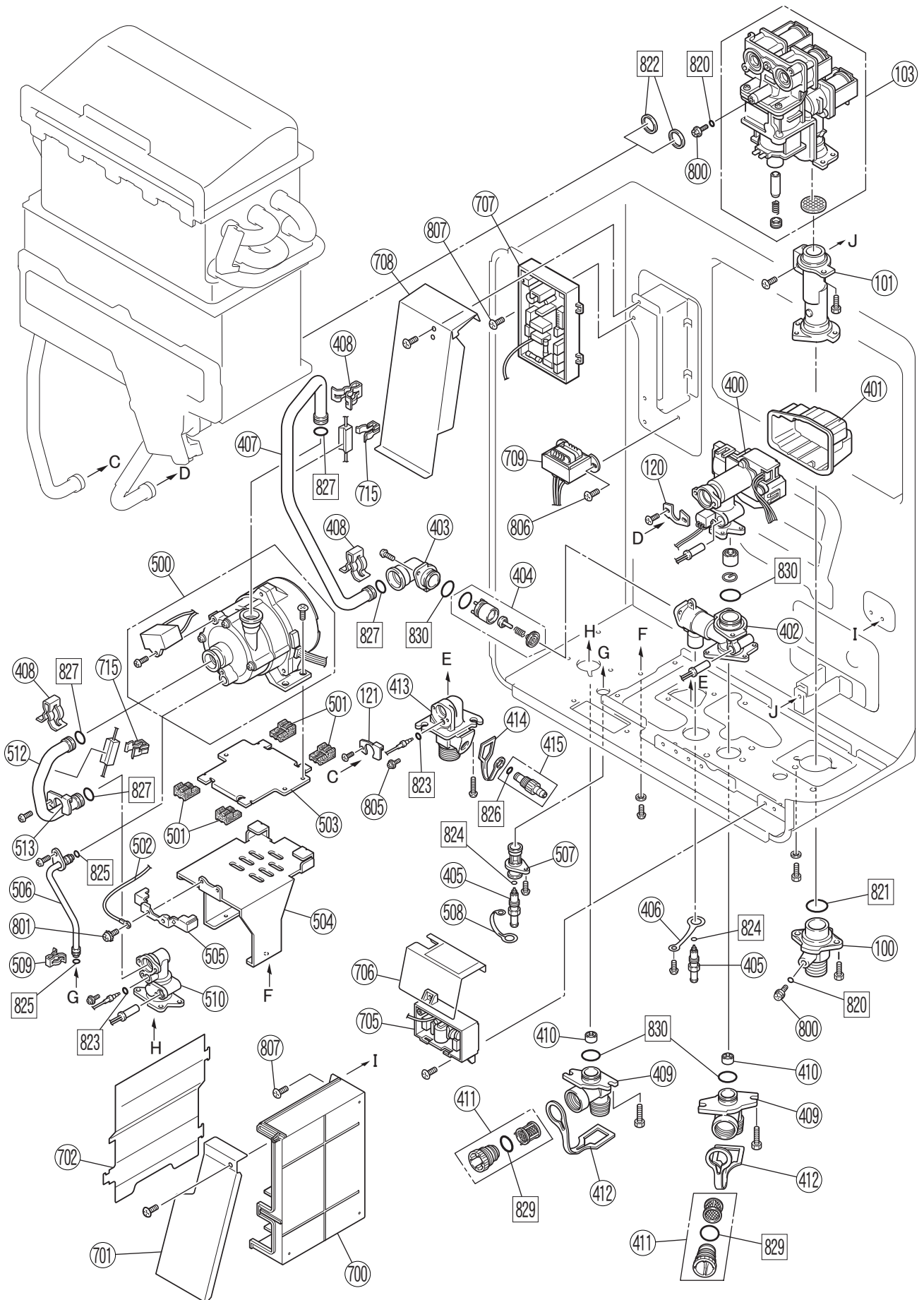
REU-VR2626WGP-AK



REU-VR2626WGP-AK



REU-VR2626WGP-AK



REU-VR2626WGP-AK

