

ENERGYSAVER RHFE-561 FT (10-2825)

Effective: 18/10/16

Supersedes:07/08/14

Issue 3

No	Part Name	RA CODE	11 DIGIT CODE
001	Rear Panel Assy		004-975-000
002	Frame R		047-5538000
003	Frame L		047-5539000
004	Frame Center		047-5540000
005	Bottom Plate Support		517-544-000
006	Humidifier Tray Fixing Plate		538-0676000
007	Humidifier Tray Fixing Plate		515-370-000
008	BRKT FILTER SIDE 556 557 309	90102161	538-059-000
009	BRKT FILTER BOTTOM 308 557FTR	90102179	538-064-000
010	Top Plate Supporter		044-224-000
012	PANEL TOP 561FT	90197101	001-0997000
013	PANEL CONTROL 561FT	90197103	063-0081000
014	BRACKET FRONT SUPPORT 561FT	90197105	044-225-000
015	PACKING FRONT SUPPORT 561FT	90197107	580-0856000
016	PANEL SIDE R 561FT	90197109	003-0056000
017	PANEL SIDE L 561FT	90197111	003-0057000
018	FILTER ASSY 1 557	90131749	017-986-000
019	FOOT FRONT 309 556 557 559	90165663	015-140-000
020	FOOT REAR 309 556 557 559	90165655	015-141-000
021	Floor Fixing Bracket		537-677-000
022	HEAT EXCHANGER GASKET	90175563	580-640-000
023	LOUVRE ASSY 561FT	90197113	095-270-000
024	PANEL FRONT 561FT	90197115	019-4809000
025	Heat Shield Panel		030-0159000
026	SPACER TOP 561FT	90197119	034-0089000
027	SPACER R 561FT	90197121	034-0090000
028	SPACER L 561FT	90197123	034-0091000
029	Warm Air Seal Panel		512-420-000
030	Cord Packing B		580-149-000
031	Cord Packing A		580-148-000
032	Transformer Bracket		537-1122000
033	Under Cover Packing	90197127	
034	Lock A	90197127	
035	PANEL KICK 561FT	90197127	098-3489000
036	Guard		039-186-000

ENERGYSAVER RHFE-561 FT (10-2825)

Effective: 18/10/16

Supersedes:07/08/14

Issue 3

No	Part Name	RA CODE	11 DIGIT CODE
037	Front Panel Bracket		517-512-000
038	CLIP WALL SPACER	90147471	504-018-000
039	DECAL RINNAI 309	90196518	602-0817000
040	Lock Bracket		517-513-000
041	Rear Panel Rectifier		146-137-000
100	Heat Exchanger Assy		314-897-000
101	Fixing Plate		537-735-000
102	Combustion Chamber Fixer		537-673-000
103	OHS Fixer		537-422-000
104	Burner Box		527-217-000
105	Flange Board		190-199-000
106	Seal Plate B		538-653-000
107	Flame Rod Retainer		538-277-000
108	FLAME ROD 308 557 556 1001/4	90142803	230-017-000
109	Flame Rod Bracket		537-849-000
110	Flame Rod Packing		580-458-000
111	BURNER ASSY 309 556 557 559	90170630	157-063-LPG
112	Seal Plate Packing		580-0615000
113	Burner Box Supporter Assy		538-276-000
114	GASKET BURNER BOX 309 556 559	90175662	580-641-000
115	BURNER BOX FITTING PLATE ASSY	90196587	537-1094000
116	DAMPER 431 556	90178559	140-543-G00
117	DAMPER SECONDARY NG 557 559	90178740	140-564-100
117	DAMPER SECONDARY LP 557 559	90178112	140-564-200
118	PACKING BURNER BOX 561FT	90197129	580-0616000
119	Manifold D		101-808-000
120	INJECTOR NG 309 559	90196584	130-329-125
120	INJECTOR LP 559	90196582	130-329-082
121	PACKING MANIFOLD 561FT	90197131	580-392-000
122	Electrode Mounting Plate		506-179-000
123	ELECTRODE 561FT	90197133	202-246-000
124	PACKING ELECTRODE 561FT	90197135	580-0812000
125	GAS CONTROL 309 559	90196588	120-0083000
126	Inter Connection Assy		109-943-000
127	O'RING 561FT	90197137	520-027-010

ENERGYSAVER RHFE-561 FT (10-2825)

Effective: 18/10/16
 Supersedes:07/08/14
 Issue 3

No	Part Name	RA CODE	11 DIGIT CODE
129	Pressure Point		501-193-000
130	GASKET 151 252 329 506 516 311	90176637	510-519-000
131	FILTER GAS 329 1004 RD4/6 311	90182692	017-0108000
132	FLANGE GAS INLET 556 557 559	90165515	106-301-000
133	Connecting Tube Retainer		538-0674000
134	Drain Collector		517-533-000
135	INLET AIR 559	90196590	094-026-000
136	SEAL INLET HOUSING 556 557 559	90123050	510-506-000
137	HOSE AIR INLET 556 557 309	90122961	513-126-000
138	ELBOW AIR INLET RUBBER 557 559	90122953	191-051-000
139	Combustion Chamber Communication Pipe		109-944-000
140	Air Supply Pipe		055-0111000
141	Connecting Tube Fixer		538-0606000
142	PACKING AIR GUIDE 561FT	90197139	580-0858000
143	Combustion Fan Casing Assy B		034-0092000
147	Screw		501-0319000
148	S Tight Screw		501-303-000
149	CUSHION 460 560 1004 30FT 311	90183195	540-051-000
150	Exhaust Slide Pipe All Assy		554-228-000
151	ORING EXHAUST 309 559	90196528	520-160-000
152	COVER OUTLET FLUE 403 556 557	90165382	034-457-000
153	CLIP INSTALLATION 556 557 559	90165374	552-075-000
156	SCREW TEST POINT	90195157	501-275-005
157	O RING (S4) TEST POINT 371TR	90195165	520-300-010
158	FAN COMB ASSY 561FT	90197141	040-419-000
159	FLUE LOCK CLAMP 431 553 556	90165358	512-327-000
160	ELEC CORD BKT 516 570 670 559	90177114	538-180-000
161	TUBE GAS CONTROL 561FT	90197143	513-212-000
162	*NLA*CLIP HOSE 556 USE90170341	90178146	538-065-000
400	FAN CONV ASSY 561FT	90197145	040-420-000
401	Capacitor		225-149-000
402	Convection Motor		222-702-000
403	Motor Fixing Plate		537-850-000
404	BLADE FAN CONV 557	90185968	040-185-000
405	Casing Assy		098-3490000

ENERGYSAVER RHFE-561 FT (10-2825)

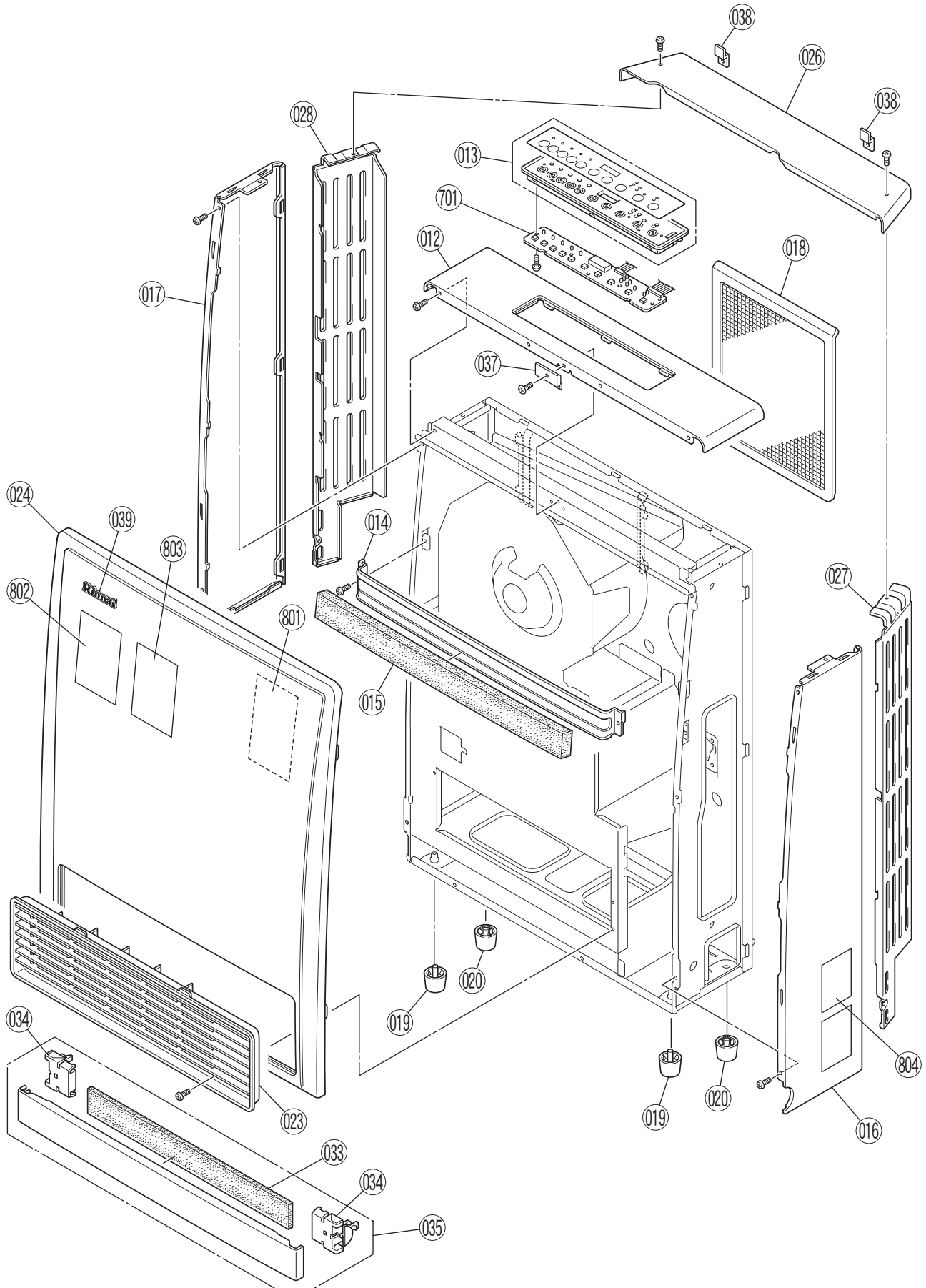
Effective: 18/10/16

Supercedes:07/08/14

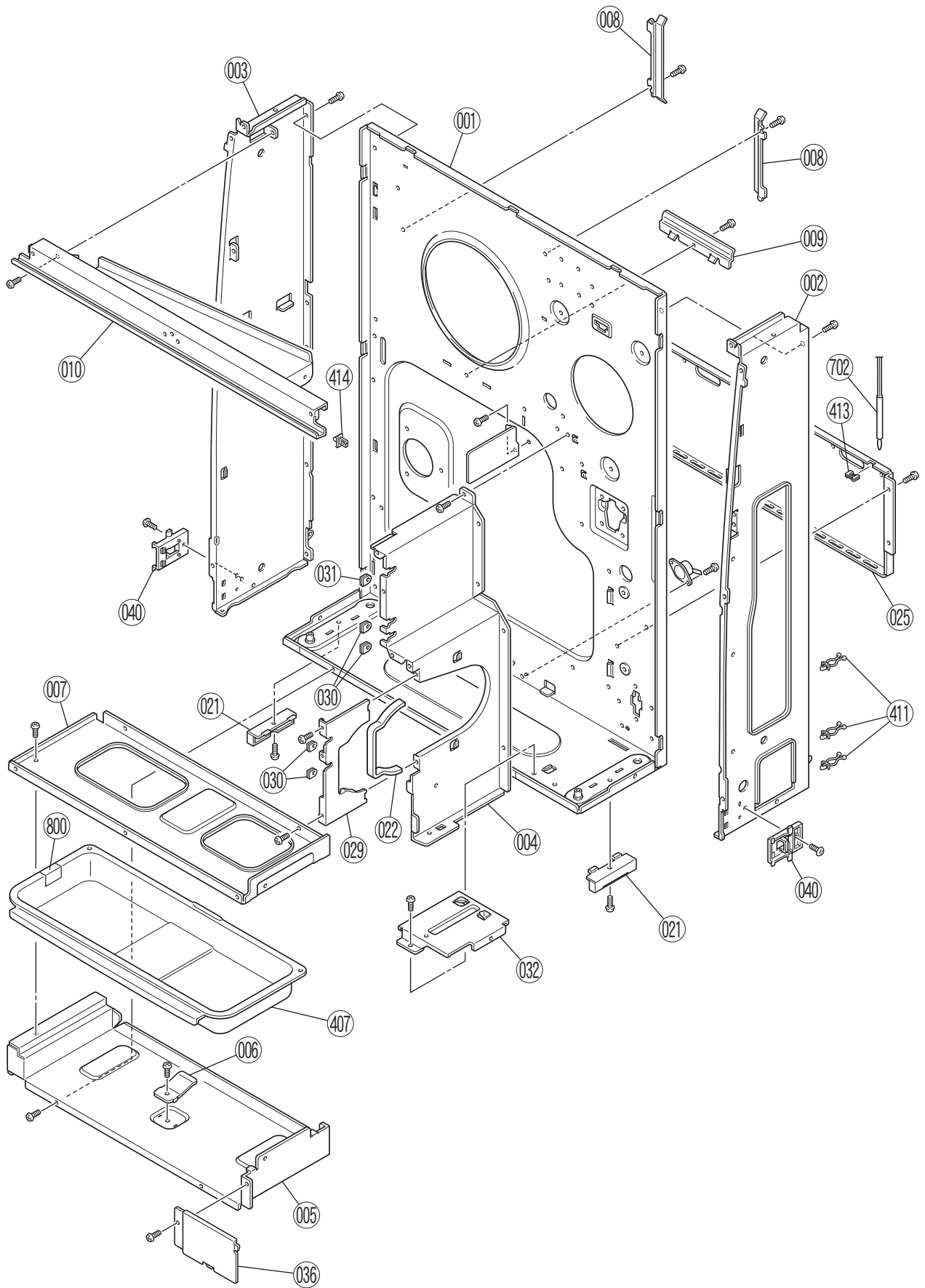
Issue 3

No	Part Name	RA CODE	11 DIGIT CODE
406	Front Panel Fixer		538-0677000
407	TRAY HUMIDIFIER 561FT	90197147	078-020-000
408	Heat Shield Plate		030-0351000
409	Front Panel Packing		580-0682000
410	TF Fixing Plate		537-1102000
411	Cable Clip		504-024-000
412	Wire Clip		505-122-000
413	Wiring Bracket		514-052-000
414	Wire Clip		505-142-000
700	PCB MAIN 561FT	90197149	200-2041000
701	PCB CONTROL 309 559	90196538	200-1824000
702	THERMISTOR ASSY (inc Room & O/Heat Thermistors)	90197151	233-316-000
703	CORD POWER 561FT	90197153	206-323-000
704	TRANSFORMER 561FT	90197155	224-382-000
705	HARNESS SOLINOID 561FT	90197157	290-2315000
706	HARNESS FAN COMB 561FT	90197159	290-2316000
707	LEAD HIGH TENSION 561FT	90197161	203-899-000
708	HARNESS OHS 561FT	90197163	290-2320000
710	OHS 309 509	90196546	234-416-000
711	OHS 561FT	90197165	234-616-000
713	Electrode Sleeve		513-109-000
714	LEAD FLAME ROD 561FT	90197167	209-465-000
715	HARNESS THERMAL FUSE 309 559	90196552	290-1990000
800	Water Level Label B		602-654-000

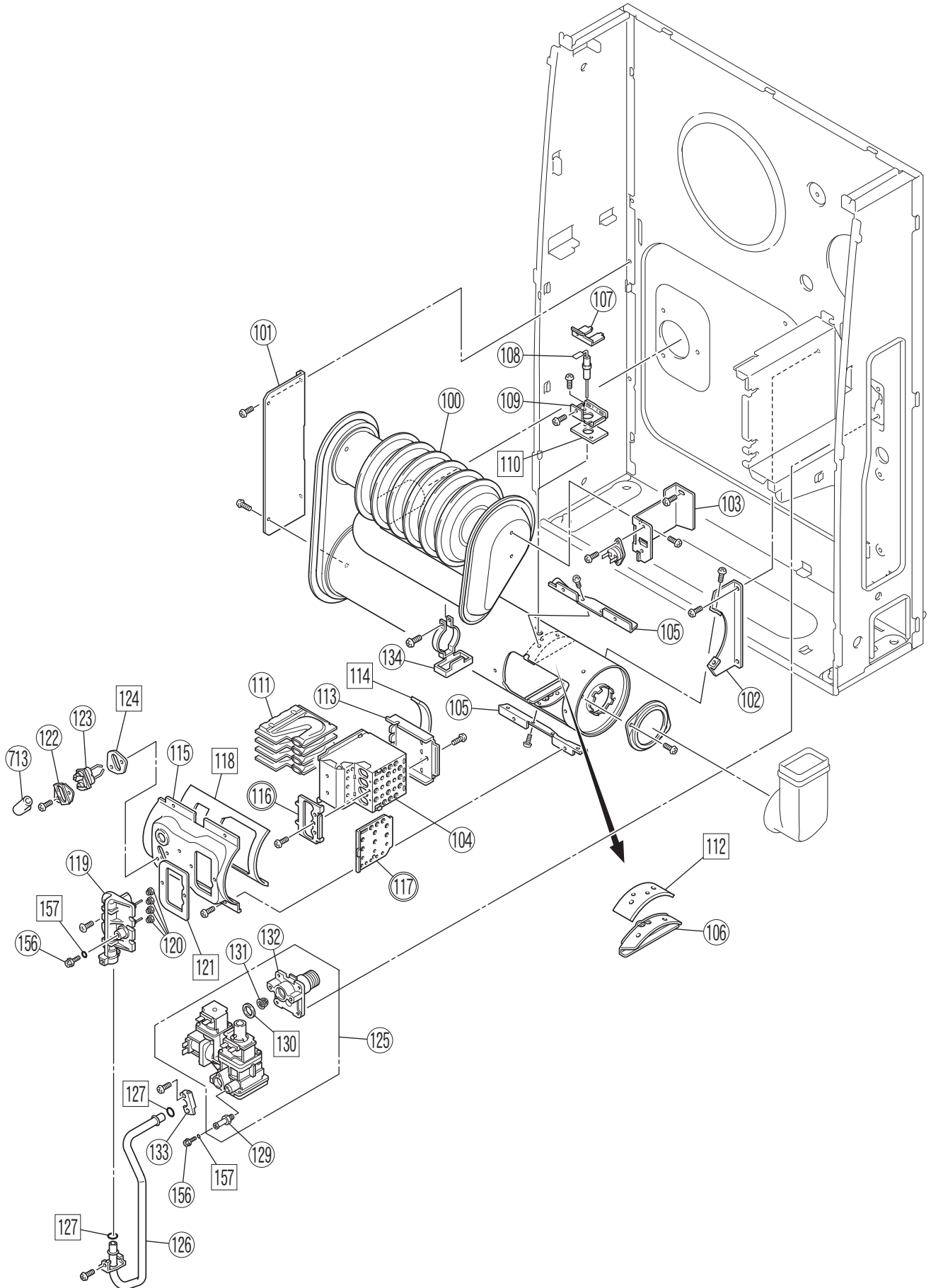
RHFE-561FT



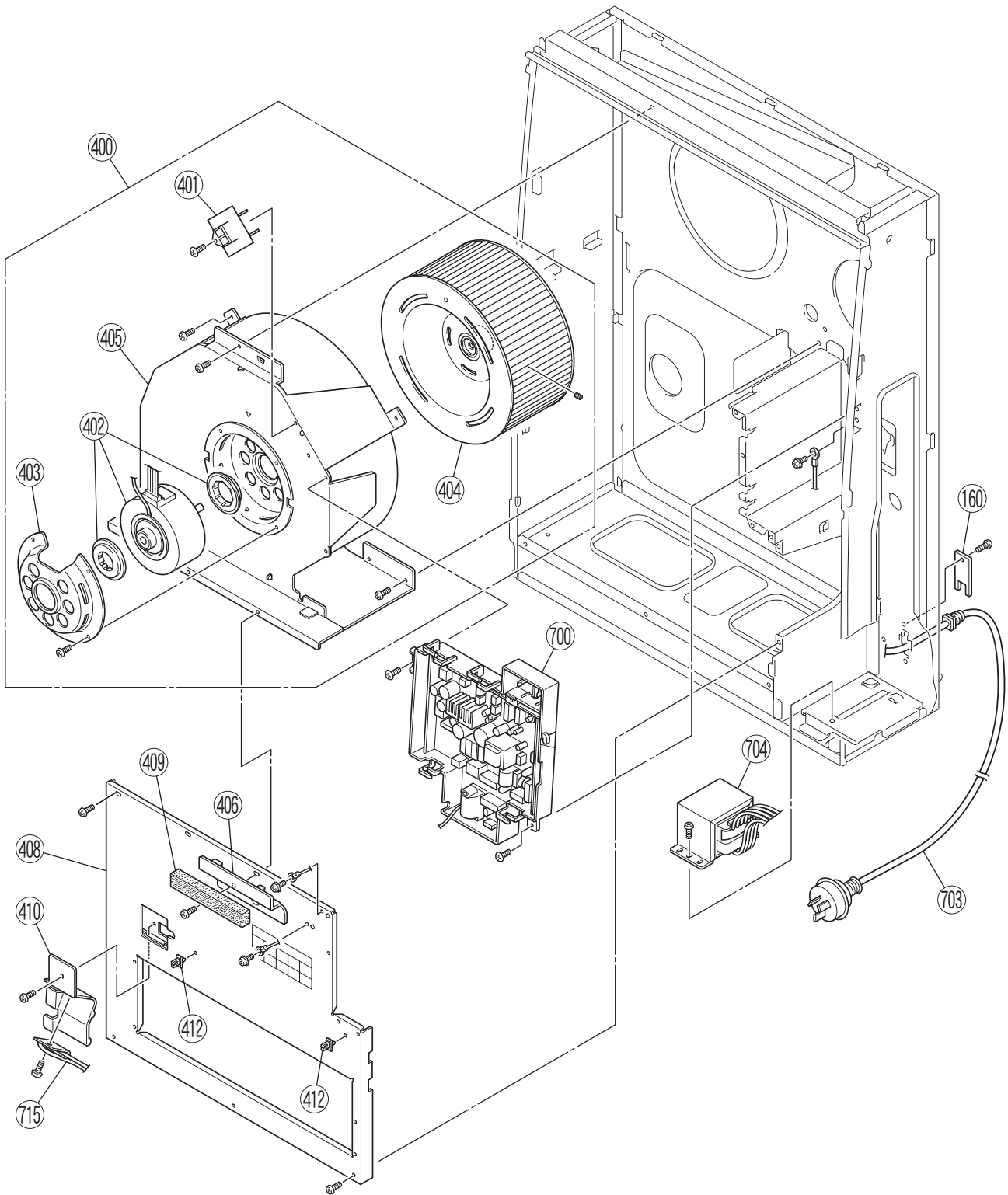
RHFE-561FT



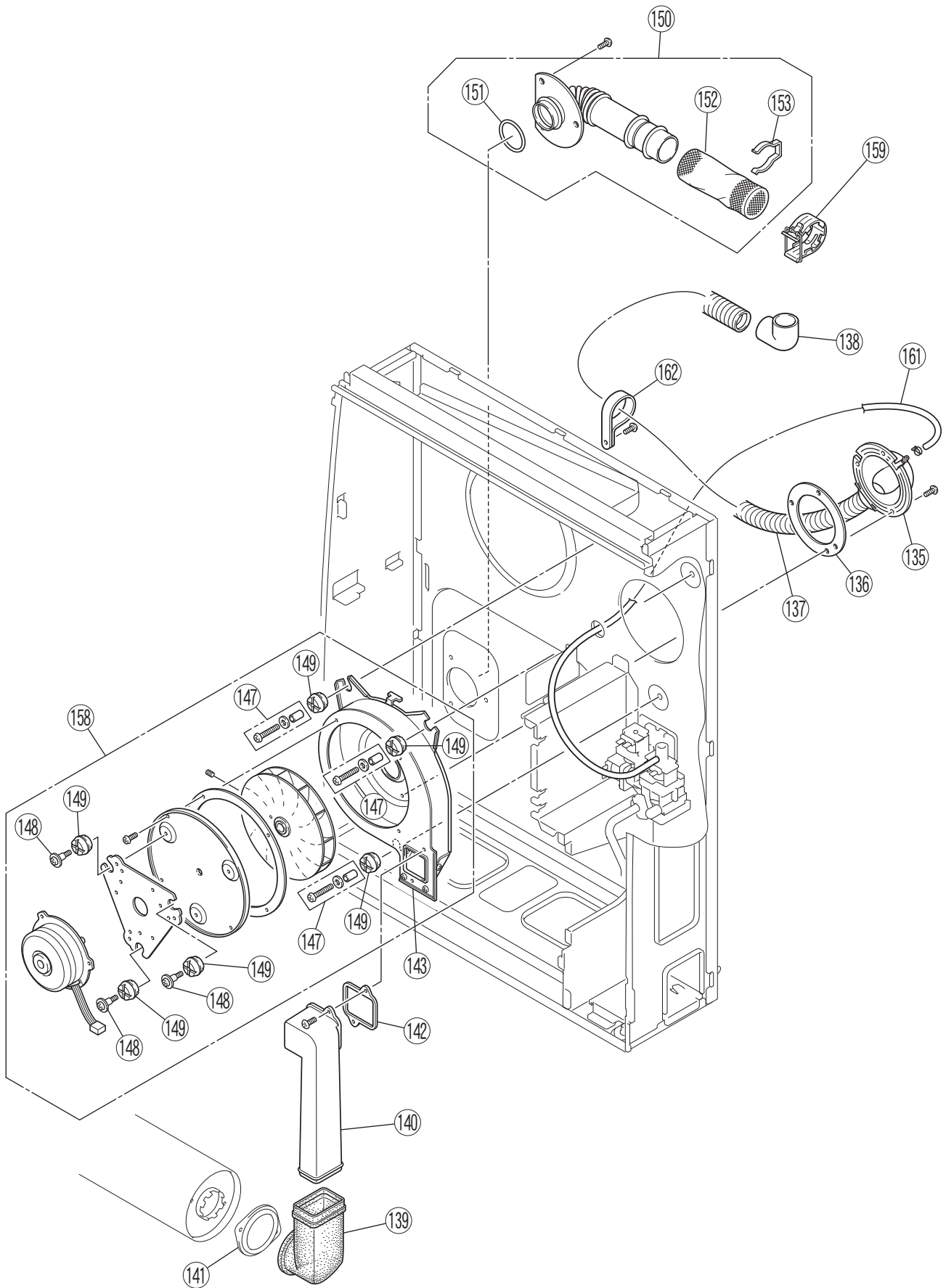
RHFE-561FT



RHFE-561FT



RHFE-561FT



RHFE-561FT

