

REH-301EB / EC - R2001 (Inbuilt / Console)

Note: This model does not have a PCB it has a surge arrestor P/N 90192840. Refer to Exploded Diagram No. 150				REH-301EB-1A	REH-301EB-1B	REH-301EC-1A	REH-301EC-1A
NO	Part Name	RA Part Number	11 Digit Code	Inbuilt - Beige	Inbuilt - Brown	Console Beige	Console Brown
	Air Shield Plate Assembly	90173220	039-174-000	1	1	1	1
001	Front Panel E Assembly	90150632	019-877-000	1	1	1	1
001	Front Panel F- Assy Brown	NLA	019-0691000		1		1
001	Front Panel F- Metallic Brown	90197583			1		1
002	Front Panel Fixing Plate		537-675-000	2	2	2	2
003	Logo Mark	90178815	602-228-000	1	1	1	1
004	Shaft Pushing Nut		502-252-000	1	1	1	1
005	Upper Louvre D Assembly	90196783	046-150-000	1		1	1
005	Upper Louvre C Assembly	90186024	046-151-000		1		1
006	Reflector Upper	90186040	038-129-000	1	1	1	1
006	Reflector Upper	90186032	038-145-000		1		1
006	Reflector Lower	90186040	038-130-000	1	1	1	1
006	Reflector Lower	90184656	038-147-000		1		1
006	Side Reflector	90186032	038-146-000	2	2	2	2
006	Side Reflector	90184631	038-128-000		2		2
007	Air Filter Assembly - Beige	90146341	017-971-000	1		1	
007	Air Filter Assembly - Black	90177221	017-304-000		1		1
008	Dress Guard	90147760	056-162-000	1	1	1	1
009	Heat Shield on Dress Guard Black	90195900	030-830-000	1	1	1	1
010	Panel Top Assy Beige	90151333	001-784-000	1		1	
010	Panel Top Assy Brown	90146374	001-620-000		1		1
011	Panel Side R11	90150384	003-551-000	1		1	
011	Panel Side R21	90146382	003-575-000		1		1
012	Side Panel LI1	90147836	003-560-000	1		1	
012	Side Panel L F	90149998-NLA	003-576-000		1		1
013	Top Plate F-E Assembly Console	90151341	001-785-000			1	1
014	Side Panel R E Console	90150418	003-577-000			1	1
015	Side Panel L E Console	90147877	003-562-000			1	1
016	Back Spacer Upper D Console	90149741	550-138-000			1	1
017	Back Spacer Side D Console	90147653	550-153-000			2	2
018	Louvre Bottom 1	90180290	019-893-000	1	1	1	1
021	Escutcheon New Style	90176843	527-194-000	1	1	1	1
022	Knob 2001 New Style	90180868	021-361-000	1	1	1	1
023	Thermistor Window D	90150475	061-059-000	1	1	1	1
032	Screw Grommet		502-297-000	2	2	2	2
040	Heat Exchanger	90150004	314-435-000	1	1	1	1
041	Gasket Transfer Tube	90157462	580-654-000	1	1	1	1
042	Air Seal Plate B		526-144-000	1	1	1	1
044	Gasket A		580-809-000	1	1	1	1
045	Combustion Chamber Assembly	90157504	092-053-000	1	1	1	1

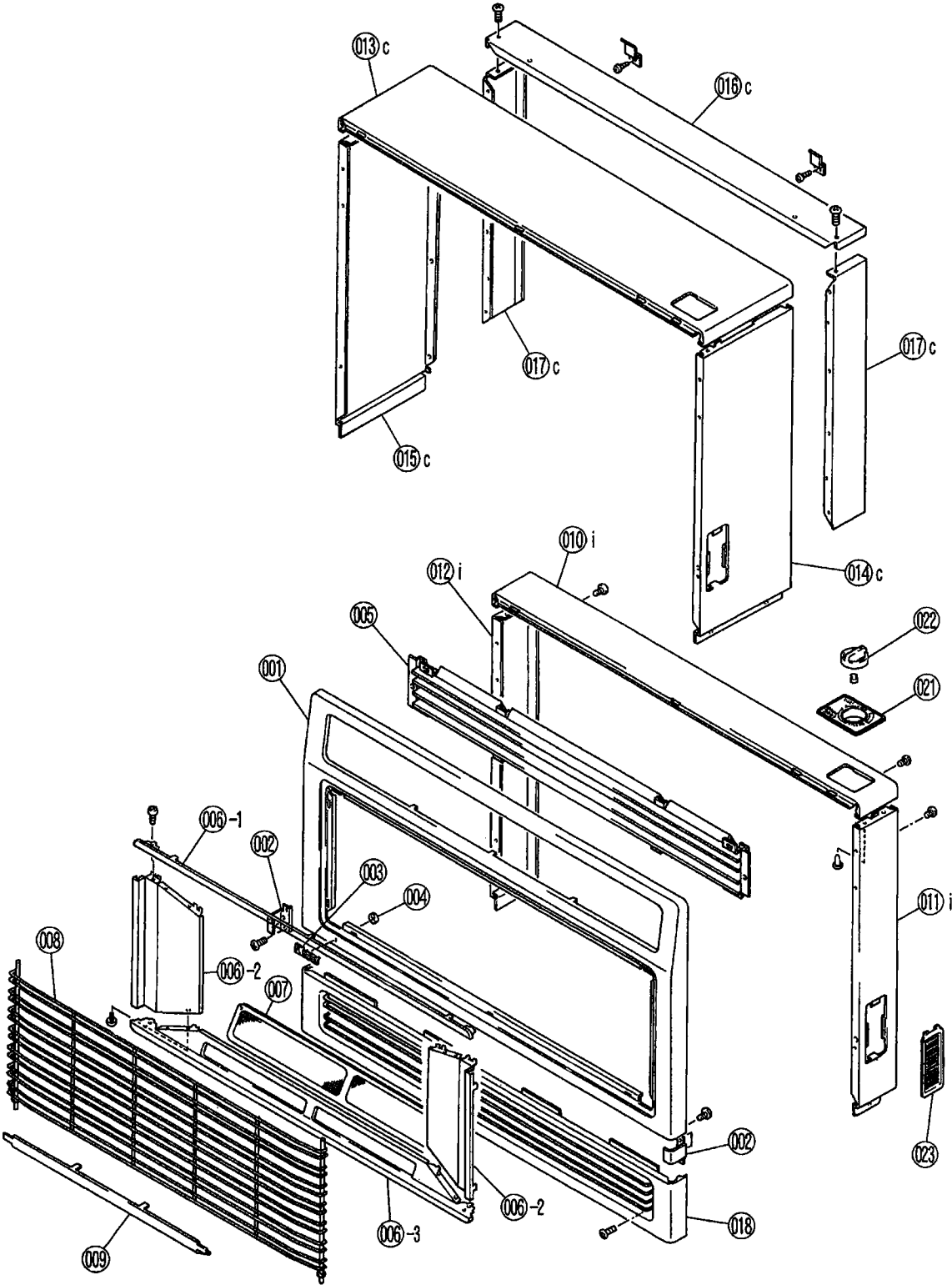
REH-301EB / EC - R2001 (Inbuilt / Console)

Note: This model does not have a PCB it has a surge arrestor P/N 90192840. Refer to Exploded Diagram No. 150				REH-301EB-1A	REH-301EB-1B	REH-301EC-1A	REH-301EC-1A
NO	Part Name	RA Part Number	11 Digit Code	Inbuilt - Beige	Inbuilt - Brown	Console Beige	Console Brown
046	Rod Holding Radiant	90147091	538-228-000	1	1	1	1
048	Glass Panel Seal Packing	90147133	580-655-000	1	1	1	1
049	Clip		008-024-944	8	8	8	8
050	Glass Panel	90147109	051-081-000	1	1	1	1
051	Retainer Glass Top & Botto	90147117	538-229-000	2	2	2	2
052	Retainer Glass Side	90147125	538-084-000	2	2	2	2
055	Operation Guide Assy	90156993	013-283-000	1	1	1	1
056	Radiants	90142282		6	6	6	6
057	Burner Box Assembly	90149097	527-204-000	1	1	1	1
058	Box Front Panel Assembly		019-0707000	1	1	1	1
059	Connecting Tube Fixing		037-0001000	1	1	1	1
060	Air Filter Assembly for Burn	90148982	017-972-000	1	1	1	1
061	Burner Assembly	90146739	150-529-000	1	1	1	1
062	Shutter Aeration	90148966	140-645-000	1	1	1	1
063	Pilot Burner Assembly	90146747	152-540-000	1	1	1	1
064	Electrode	90147554	202-176-000	1	1	1	1
065	Thermocouple & OHS	90146762	121-345-000	1	1	1	1
067	INJECTOR PILOT LPG	90113085	131-008-022	1	1	1	1
067	INJECTOR PILOT NG	90113077	131-008-034	1	1	1	1
068	Pilot Connecting Tube Kit (Made up of Exploded Diagram Part Numbers:	90146838	109-089-000	1	1	1	1
069	Bag Nut		502-098-000	1	1	1	1
070	Pipe Nut		502-298-000	1	1	1	1
071	Ball Sleeve		518-044-000	1	1	1	1
072	Control Shaft	90147604	058-067-000	1	1	1	1
073	Snap Pin		505-009-000	1	1	1	1
074	Control Adapter	90146861	561-376-000	1	1	1	1
075	Gas Control NG	90184169	-----	1	1	1	1
075	Gas Control LPG	90184177	-----	1	1	1	1
076	Tube Inlet Gas	90149006	109-196-000	1	1	1	1
077	Gas Filter		017-974-000	1	1	1	1
078	Retainer Spring		560-523-000	1	1	1	1
Kit available (made up Exploded Diagram Part Numbers, 080, 081, 082 ELBOW INLET KIT		90145020					
080	Valve Union Nut		502-292-000	1	1	1	1
081	Valve Union Sleeve 2		518-042-000	1	1	1	1
081	Valve Union Sleeve 2		518-042-000	1	1	1	1
082	Elbow Inlet		196-032-000	1	1	1	1
083	Bag Nut		502-296-000	1	1	1	1

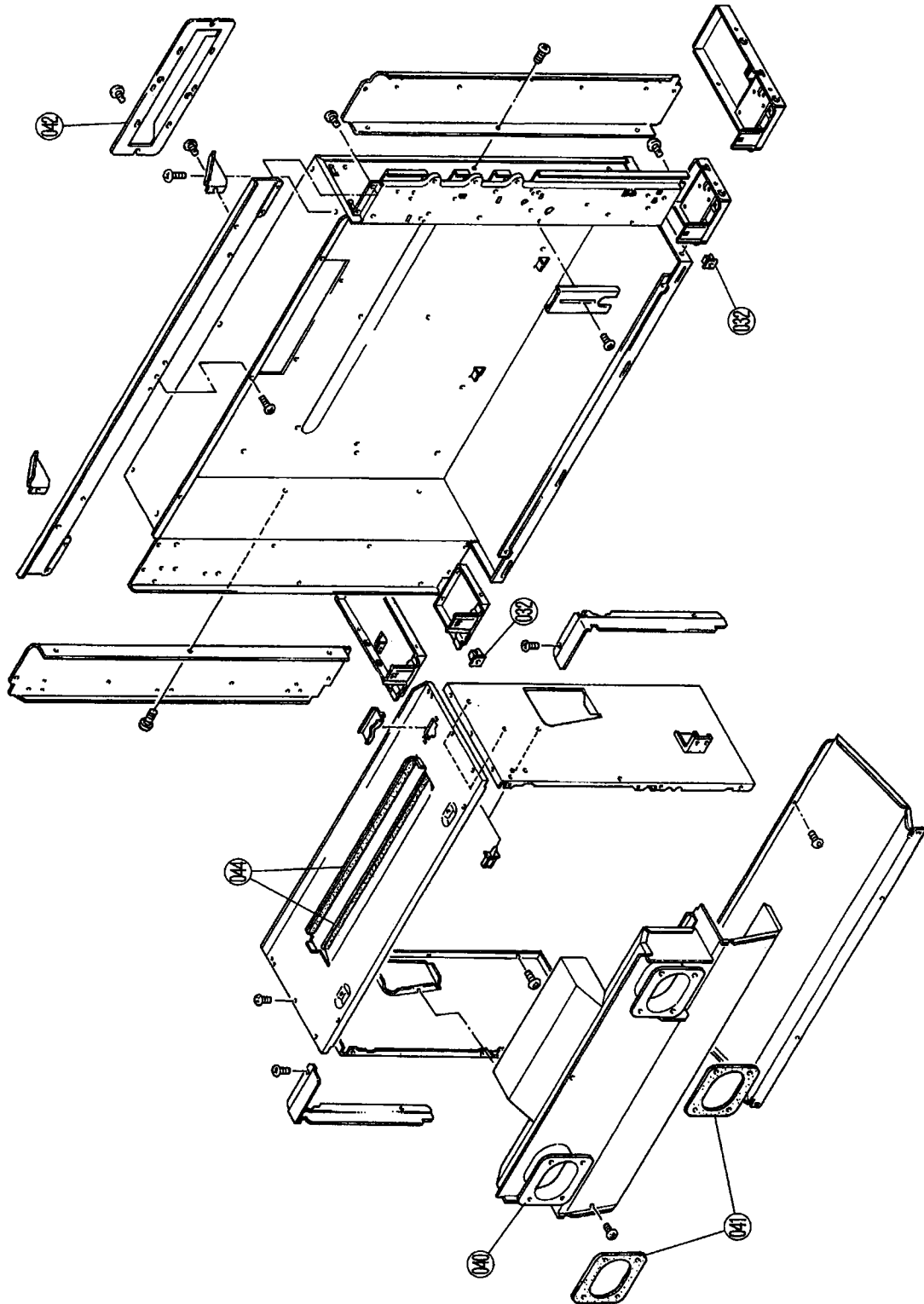
REH-301EB / EC - R2001 (Inbuilt / Console)

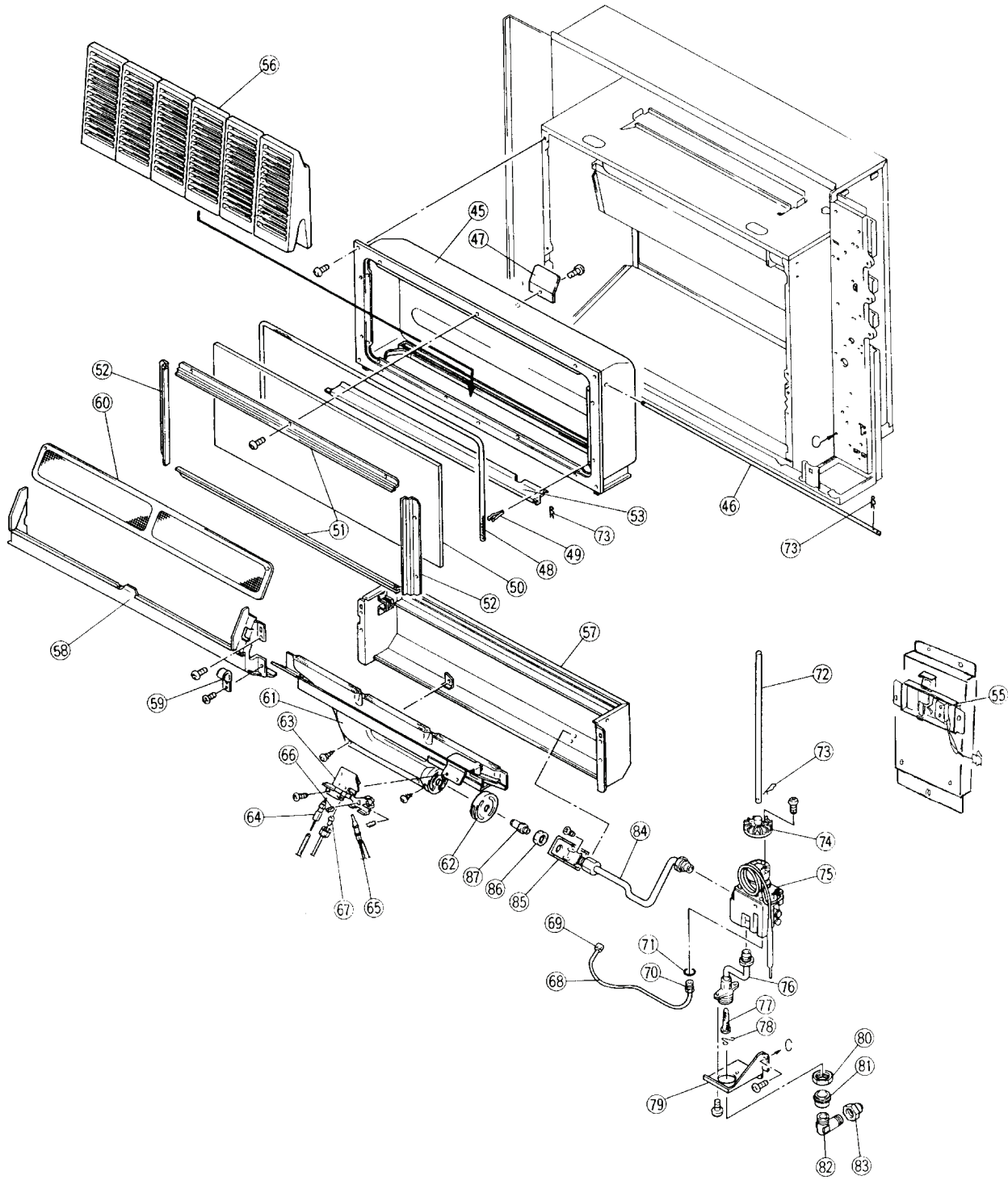
Note: This model does not have a PCB it has a surge arrestor P/N 90192840. Refer to Exploded Diagram No. 150				REH-301EB-1A	REH-301EB-1B	REH-301EC-1A	REH-301EC-1A
NO	Part Name	RA Part Number	11 Digit Code	Inbuilt - Beige	Inbuilt - Brown	Console Beige	Console Brown
084	Tube Main Gas	90149055	109-197-000	1	1	1	1
085	Connecting Tube Fixing Bracket		538-230-000	1	1	1	1
086	Lock Nut		502-005-000	1	1	1	1
087	Main Injector - NG	90148933		1	1	1	1
087	Main Injector - LPG	90150236		1	1	1	1
088	Convection Fan Complete Assy	90146895		1	1	1	1
088-1	Fan Casing Assy			1	1	1	1
088-2	Convection Fan			1	1	1	1
088-3	Convection Fan Motor Bracket			1	1	1	1
088-4	LS Bearing		067-013-000	1	1	1	1
088-5	Convection Fan Motor Assy			1	1	1	1
088-6	Housing			1	1	1	1
088-7	Heat Shield Bracket			1	1	1	1
088-8	Wiring Clip		512-280-000	1	1	1	1
089	Top Plate Suporting Plate			1	1	1	1
092	Power Cord Assy (Import)			1	1	1	1
092	Power Cord Assy (Domestic)	90192303	206-127-000	(1)	(1)	(1)	(1)
094	Wire Harness			1	1	1	1
095	Cord Bush		194-098-000	1	1	1	1
096	Ceramic Resistor	90146986	237-070-000	1	1	1	1
097	Fan Switch	90147000	248-044-000	1	1	1	1
098	Fan Switch Tube			1	1	1	1
099	Fan Switch - Delay	90146994	258-001-000	1	1	1	1
100	OHS Bracket			1	1	1	1
101	Cable Clip		41435600034	2	2	2	2
102	Sparker	90169384	262-026-000	1	1	1	1
103	Lead High Tension 2001	90199921		1	1	1	1
142	Foam Sealing Strip	90150301	580-663-000	1	1	1	1
150	Surge Arrestor	90192840	200-912-000	1	1	1	1
151	Electric Power Harness	90197310	290-1065000	1	1	1	1

REH-301EC
REH-301EB



REH-301EC
REH-301EB





REH-301EC
REH-301EB

