

## REH281EB / REH281EC

<b>Note: This model does not have a PCB it has a surge arrestor Part No. 90192840.</b>				
<b>Refer to Exploded Diagram No. 150</b>				
<b>No.</b>	<b>Part name</b>	<b>RA Part No.</b>	<b>11 Digit Code</b>	<b>Qty</b>
001	Front Panel A (Beige)	90150632	019-892-000	1
001	Front Panel D (Gun Metal)	90180837		1
002	Escutcheon Panel			1
003	Electrical Cord Bush Nut			1
004	Heat Shield Assy		030-820-000	1
005	Front Panel Retainer Bracket		537-675-000	2
006-1	Upper Side Reflector(Beige)		038-158-000	1
006-1	Upper Side Reflector(Gun Metal)		038-169-000	1
	Lower Reflector		038-170-000	1
006-2	L Side Reflector (Beige)			1
006-2	R Side Reflector (Gun Metal)			1
006-3	L Side Reflector (Beige)			1
006-3	R Side Reflector (Gun Metal)			1
006-4	Bottom Side Reflector(Beige)			1
006-4	Bottom Side Reflector(Gun Metal)			1
007	Side Reflector Suppot R			1
008	Side Reflector Suppot L			1
009	Dress Guard B	90147760	056-169-000	1
010	Louvre Assy (Beige)	90147737	046-159-000	1
010	Louvre Assy (Gun Metal)			1
011	Louvre Insert (Beige)	90147893	147-028-000	1
011	Louvre Insert (Gun Metal)	90180951		1
012	Seal Gasket	90147919	580-796-000	2
012	Seal Packing	90147919	580-796-000	2
013	L/H Side Panel (EB.Beige)	90147836	003-560-000	1
013	L/H Side Panel (EB.Gun Metal)			1
013	L/H Side Panel (EC.Beige)			1
013	L/H Side Panel (EC. Gun Metal)	90180902	001-713-000	1
014	Top Panel A-a (EB.Beige)	90147778	001-713-000	1
014	Top Panel A-d (EB.Gun Metal)	90180969		1
014	Top Panel B-a (EC.Beige)	90147794		1
014	Top Panel B-d (EC.Gun Metal)	90180993		1
015	R/H Side Panel (EB.Beige)	90147810	003-564-000	1
015	R/H Side Panel (EB.Gun Metal)	90180977		1
015	R/H Side Panel (EC.Beige)	90147851		1
015	R/H Side Panel (EC. Gun Metal)	90181009		1
016	Box Control 3	90182050		1
017	Lid Control 3	90182055	035-742-000	1
018	Rear Panel Assembly			1
019	Bottom Panel			1
020	R/H Inside Side Panel			1
021	L/H Inside Side Panel			1
022	R/H Bottom Side Panel (EB)	90149634		1
022	R/H Bottom Side Panel (EC)	90149659		1

## REH281EB / REH281EC

<b>Note: This model does not have a PCB it has a surge arrestor Part No. 90192840.</b>				
<b>Refer to Exploded Diagram No. 150</b>				
<b>No.</b>	<b>Part name</b>	<b>RA Part No.</b>	<b>11 Digit Code</b>	<b>Qty</b>
023	L/H Bottom Side Panel (EB)	90149642		1
023	L/H Bottom Side Panel (EC)	90149667		1
024	Gas Control Support Bracket			1
025	R/H Main Bracket			1
026	L/H Main Bracket			1
027	Top Main Bracket (EB)			2
027	Top Main Bracket (EC)			3
028	Clip (EC only)	90147471	504-018-000	2
029	Seal Bracket			1
030	Rear Combustion Chamber Bracket			1
031	Guide			1
032	Combustion Chamber Divider			1
033	Top Louvre Divider			1
034	Under Louvre Divider			1
035	Air Filter Assembly	90147331	017-292-000	1
036	Back Spacer(TOP) (EC.Beige)	90149741	550-138-000	1
036	Back Spacer(TOP) (EC.Black)	90195937		1
037	Back Spacer(Side) (EC.Beige)	90147653	550-153-000	2
037	Back Spacer (Side) FOR 2001	90177239	550-153-000	2
038	Combustion Chamber Assy	90170499		1
039	Heat Exchanger Bracket			2
040	Transfer Tube			5
041	Heat Exchanger B-A Assy	90147497	314-372-000	1
042	Heat Exchanger Rear Assy	90170507	314-430-000	1
043	Combustion Hood Air Guide B			2
044	Combustion Hood Air Guide A			1
045	Control Button	90193442		3
046	Spring Bushing	90142019	194-081-000	3
047	SV Valve (NG/LPG)	90193426		1
048	Pressure Point Packing			1
049	Pressure Point Brind Packing	92068907	501-060-010	1
050	Lead Cord (Exchange Switch)	90150590	209-335-000	1
051	Lead Cord (Spaker Switch)	90150608	209-336-000	1
052	Filter		017-969-000	1
053	Packing	90149873	510-519-000	1
053	Gasket	90170374	510-519-000	1
054	P.C.B. Bracket	90147976	537-791-000	1
055	Union Elbow		191-243-000	1
056	Union	90104092	191-242-000	1
056	Barrel Union	90104092	191-242-000	1
056	Inlet Elbow Assy	90144973	191-242-000	1
056	Barrel Union Nut	90104084	502-292-000	1
057	Valve Union Nut		502-292-000	1
058	Gas inlet Elbow	90104191	196-032-000	1

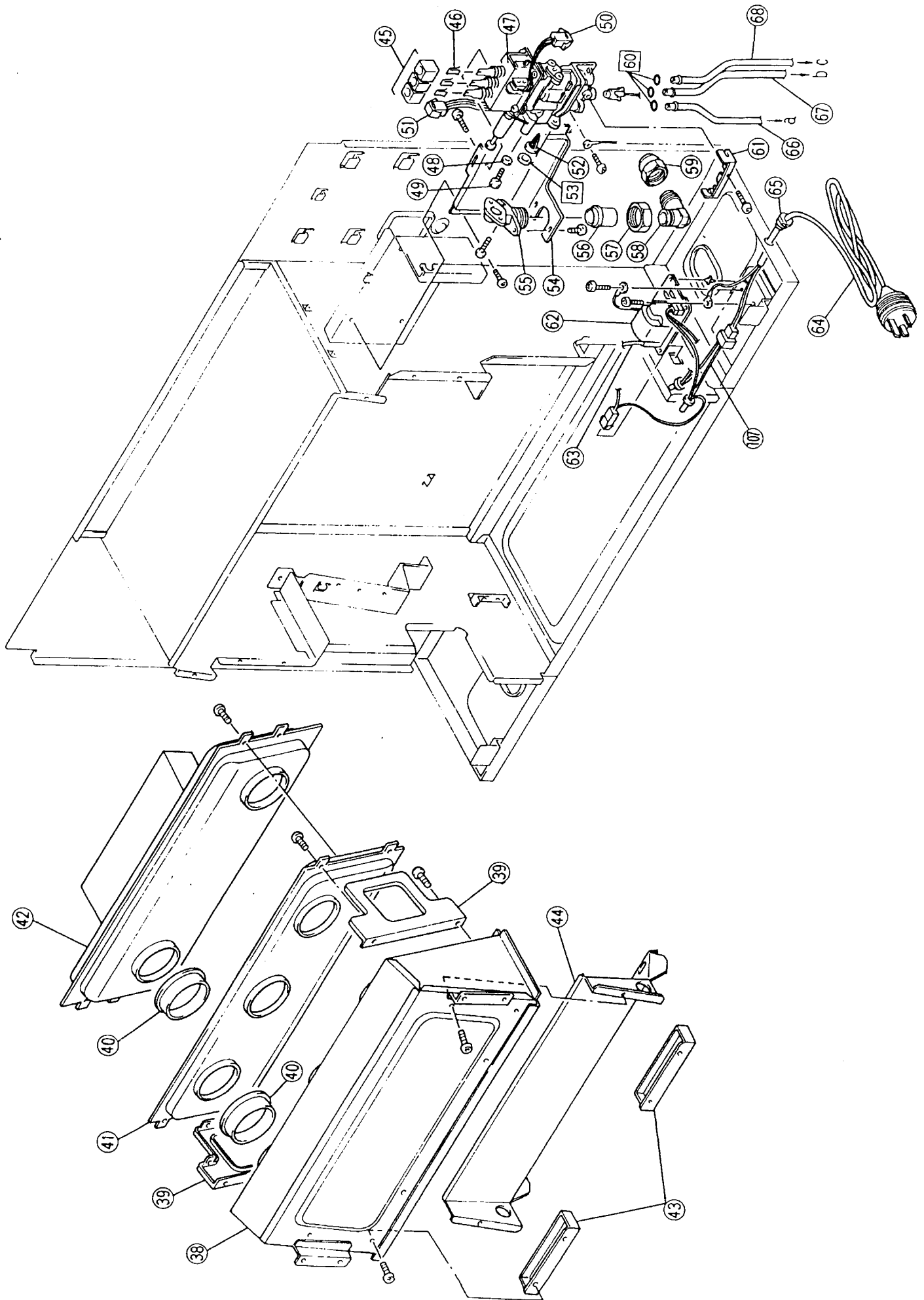
## REH281EB / REH281EC

<b>Note: This model does not have a PCB it has a surge arrestor Part No. 90192840.</b>				
<b>Refer to Exploded Diagram No. 150</b>				
<b>No.</b>	<b>Part name</b>	<b>RA Part No.</b>	<b>11 Digit Code</b>	<b>Qty</b>
058	Inlet Elbow Assy	90104191	196-032-000	1
059	Nut		502-296-000	1
060	O Ring	90148594	520-001-010	8
061	Front Panel Support Bracket		508-964-000	1
062	Sparker	90169384		1
063	High Tension Lead B	90199923	203-805-000	1
064	Electrical Cord Assembly	90192303	206-181-000	1
065	Cord Bushing	90146952	194-098-000	1
066	Main Gas Suply Tube A	90148859		1
067	Main Gas Suply Tube B	90149717	109-179-000	1
068	Main Gas Supply Tube C	90149113	109-180-000	1
069	Main Gas Supply Tube D	90199115	109-181-000	1
070	Gas Suply Tube Retainer Bracket	90148628	537-386-000	5
071	Injector Holder A	90147950	195-081-000	1
072	Injector Holder B	90148115	195-082-000	1
073	Injector Holder C	90147505	195-083-000	1
074	Injector Holder D	90148123	195-084-000	1
075	Main Injector (N.G.)	90148644	130-295-125	4
075	Main Injector(Prop.G.)	90148651	130-295-075	4
076	O Ring	90148602	520-020-010	1
077	Pilot Tube	90150616	109-182-000	1
078	Pilot Tube Bracket	90189796	537-052-000	1
079	Secondary Pilot Injector Filter	90177932	017-055-000	1
080	Pilot Injector N.G.	90148669	131-271-040	1
080	Pilot Injector Prop.G.	90131293	131-266-020	1
081	Pilot Holder Assembly B (NG/LPG)	90147521	152-539-000	1
082	Pilot Damper D	90149832	141-087-000	1
083	Plug Holder	90179524		1
084	Electrode	90147554	202-011-000	1
085	Plug Holder	90179524	506-071-000	1
086	Thermocouple Assy B	90147570	121-346-000	1
087	Switch Bracket		537-792-000	1
087	Burner Cover	90157355	537-792-000	1
088	Fan Switch (60°C ON, 43°C OFF)	90143058	248-012-000	1
089	FS Lead	90148735	290-0179000	1
090	Burner Flame Top A		047-583-000	1
091	Burner Flame Side		047-454-000	2
092	Burner Flame Bottom		047-584-000	1
093	Restrictor		142-106-000	1
094	Burner Bracket Side		508-963-000	2
095	Burner Bracket Top	90149063	538-210-000	1
095	Radiant Retainer Top	90149063	538-210-000	1
096	Burner Bracket Bottom	90149105	538-211-000	1
097	Draught Protection Panel		039-152-000	1

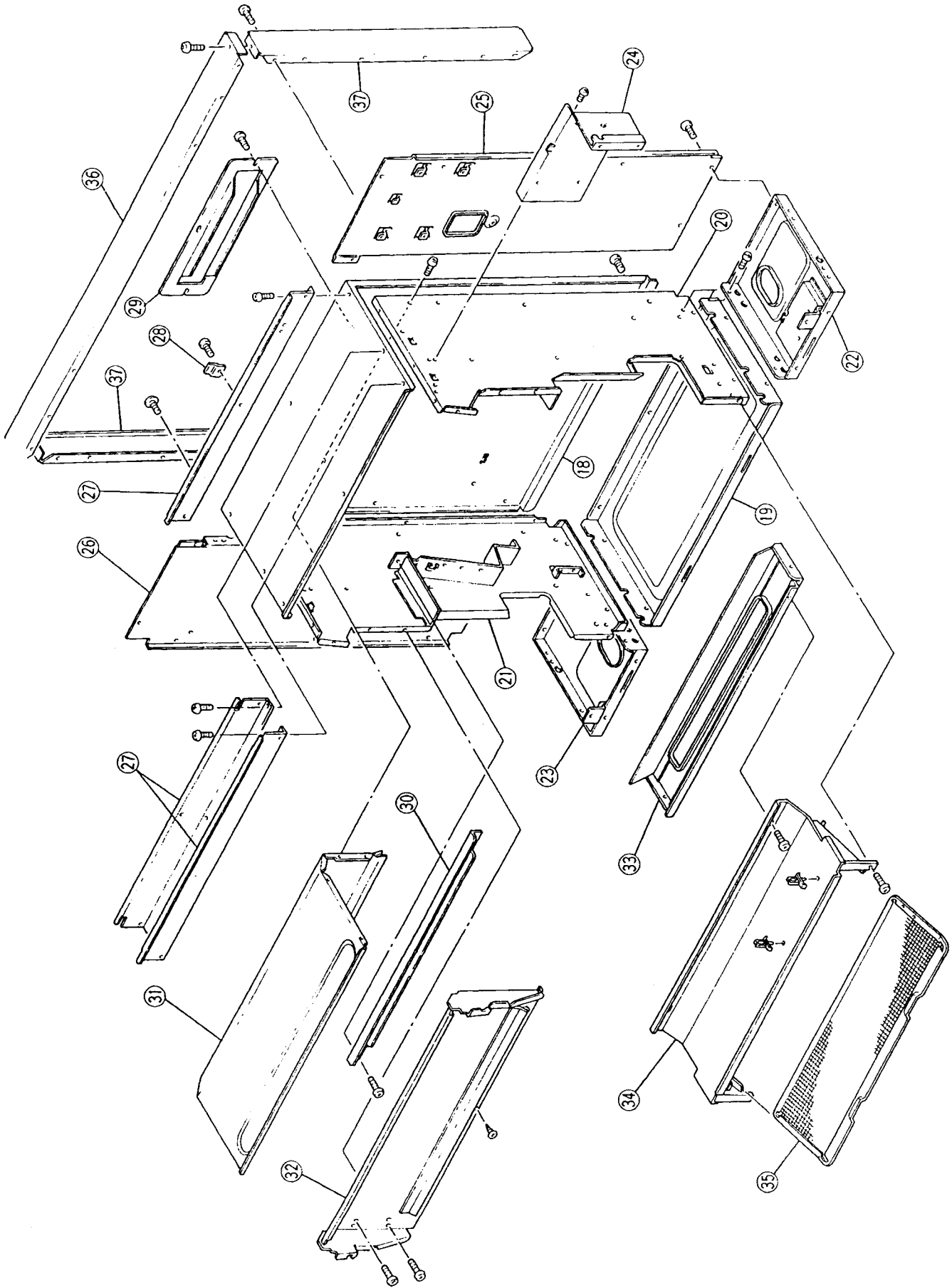
## REH281EB / REH281EC

<b>Note: This model does not have a PCB it has a surge arrestor Part No. 90192840. Refer to Exploded Diagram No. 150</b>				
<b>No.</b>	<b>Part name</b>	<b>RA Part No.</b>	<b>11 Digit Code</b>	<b>Qty</b>
098	Burner Divider		515-079-000	3
099	Burner Box Only	90118407		4
099-1	Plaques Ceramic	90179326	172-064-000	4
099-2	Wool Ceramic (Seal)	90170762	531-001-031	4
100	Glass Frame Assy	90195918	047-585-000	1
101	Glass Tube Support Bracket		517-300-000	1
102	Glass Packing		580-797-000	4
103	Glass Tube (Quartz Rods)	90103359	051-085-000	54
104	Convection Fan Complete Assembly	90147661	040-254-000	1
104-2	Bearing LS		067-013-000	1
105	Rubber Packing	90181012	540-079-000	2
106	Louvre Packing		580-957-000	2
107	Wiring Harness			1
108	Sealing Strip	90150301	580-663-000	1
888	Operation Manual		610-694-700	1

REH-281EC  
REH-281EB



REH-281EC  
REH-281EB



REH-281EC  
REH-281EB

