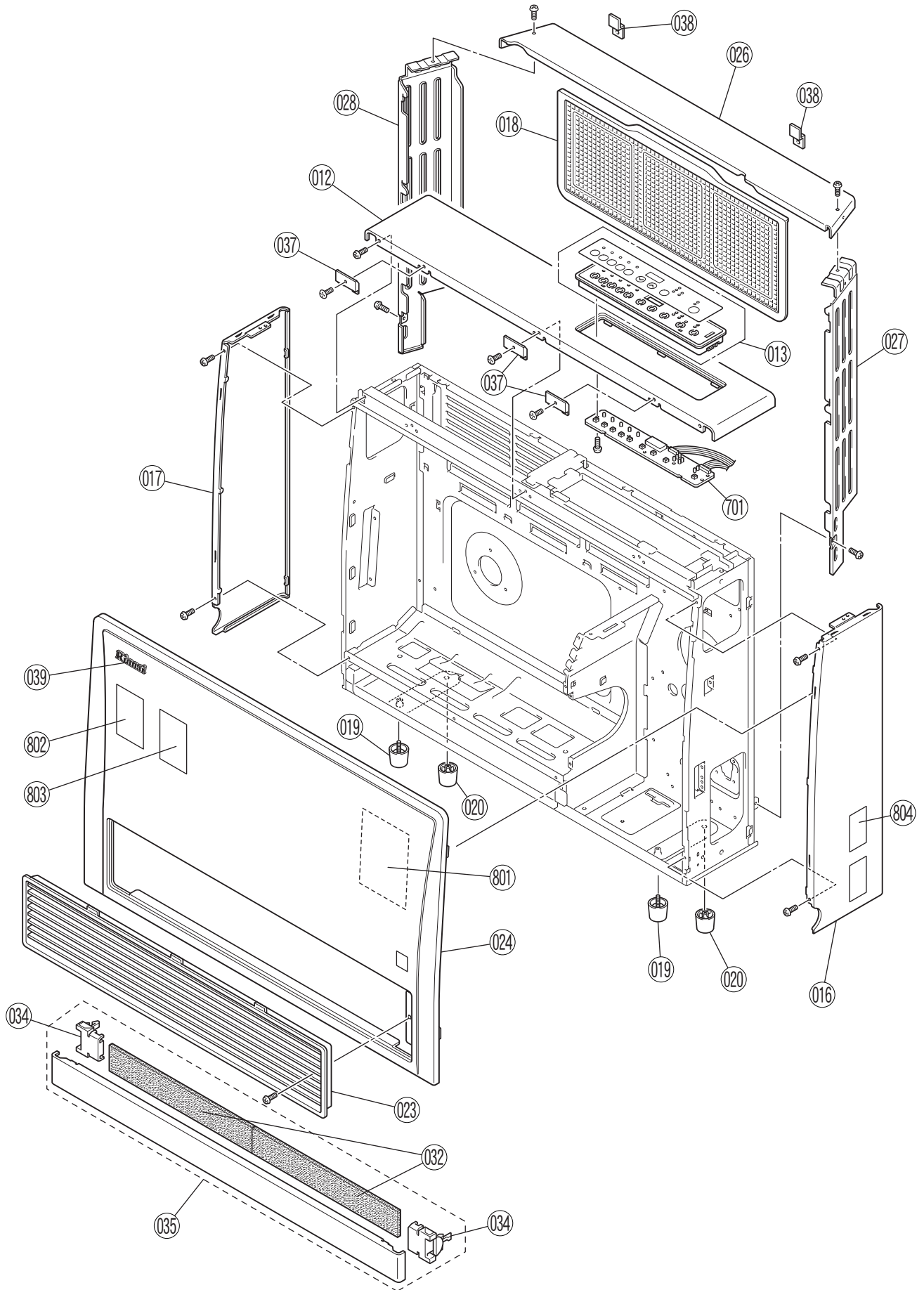
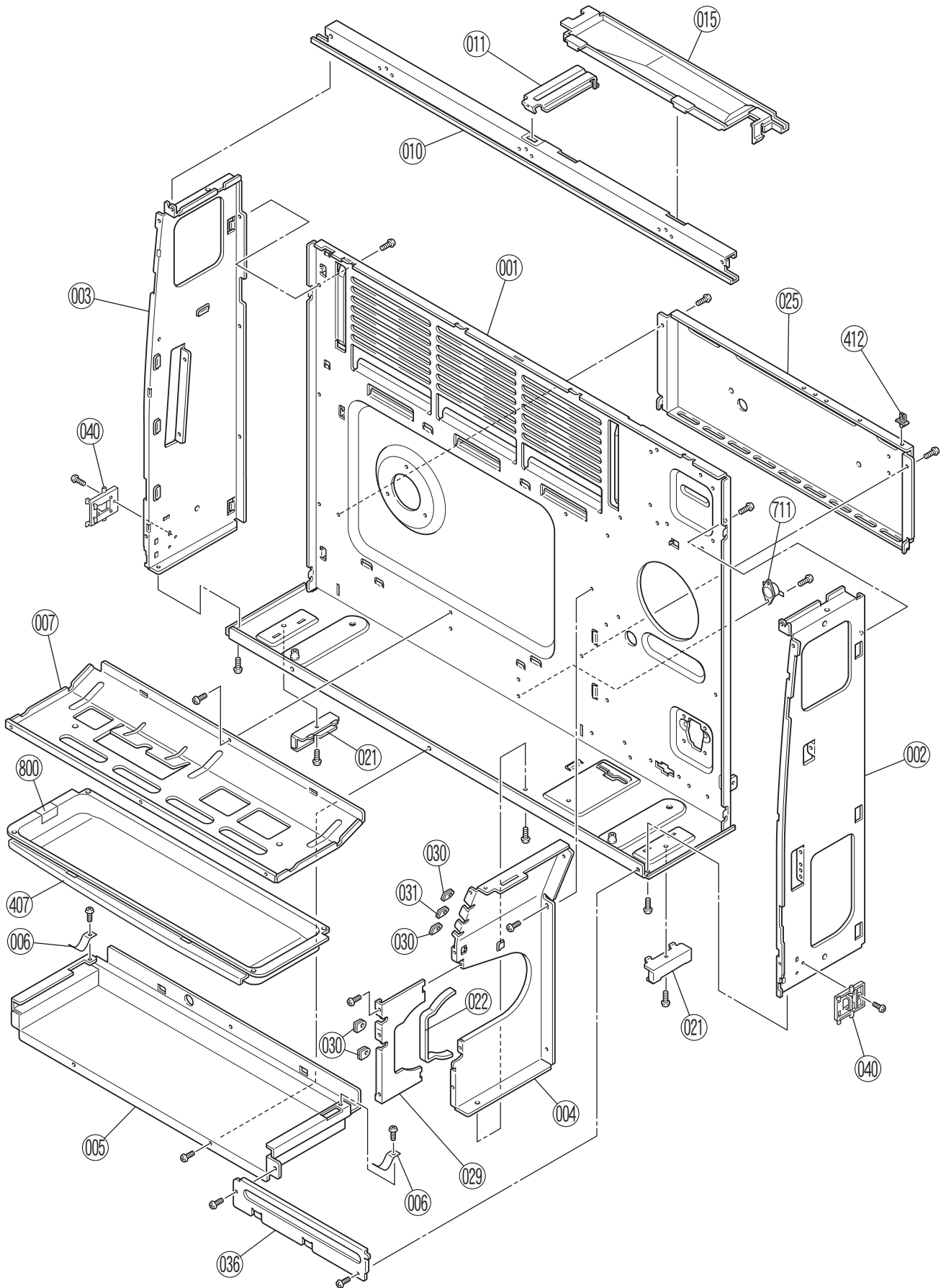


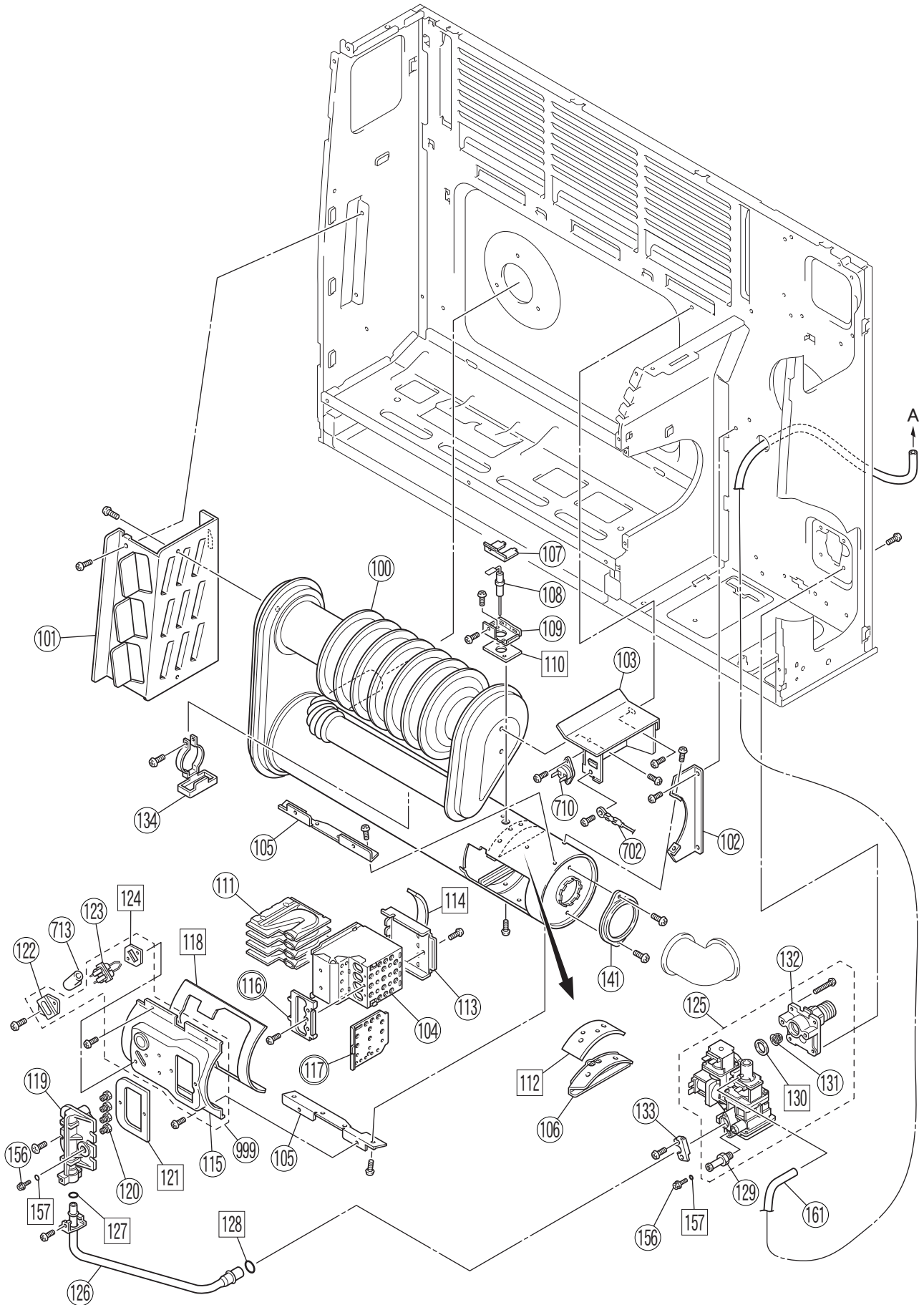
RHFE-559FT



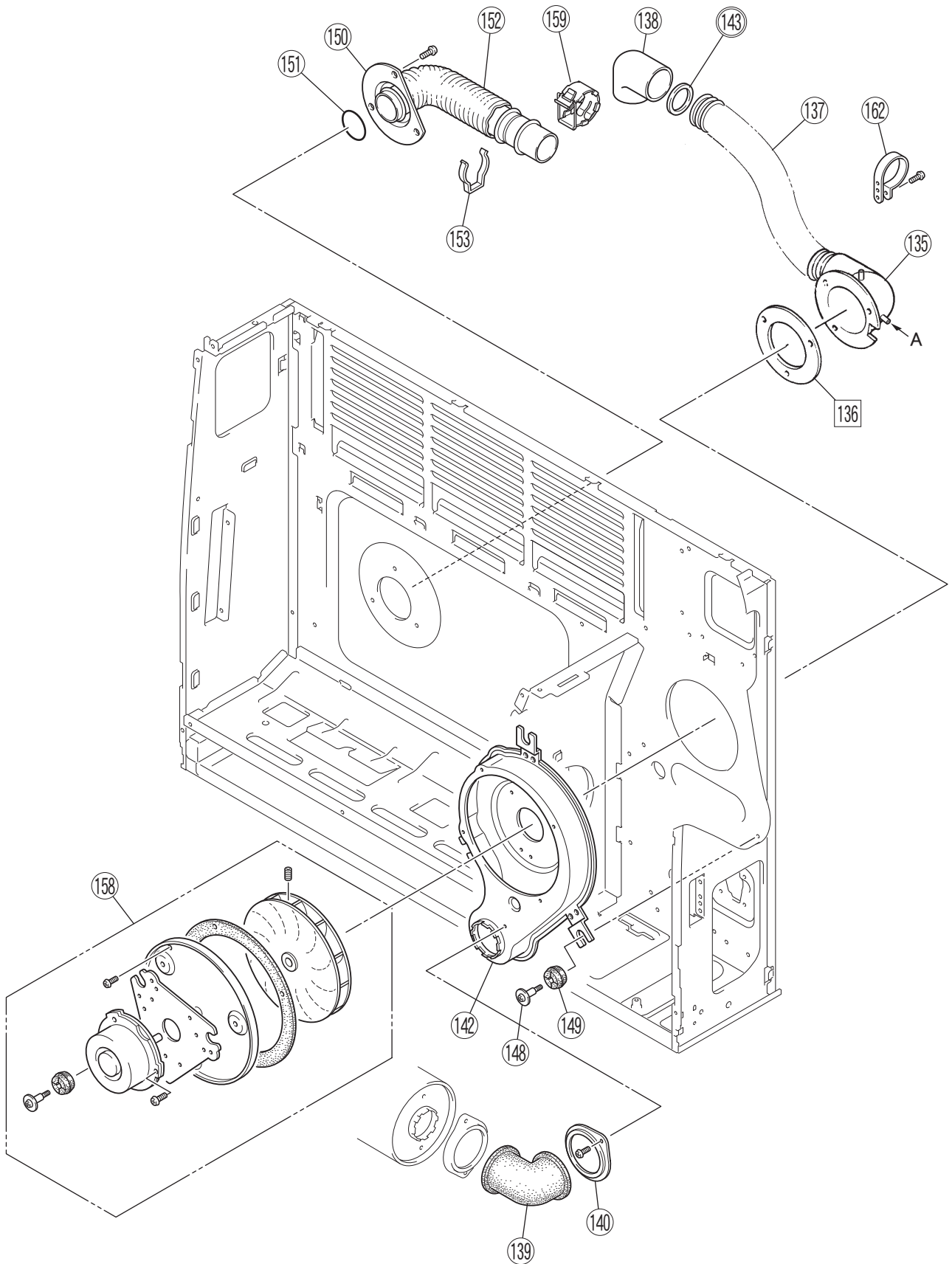
RHFE-559FT



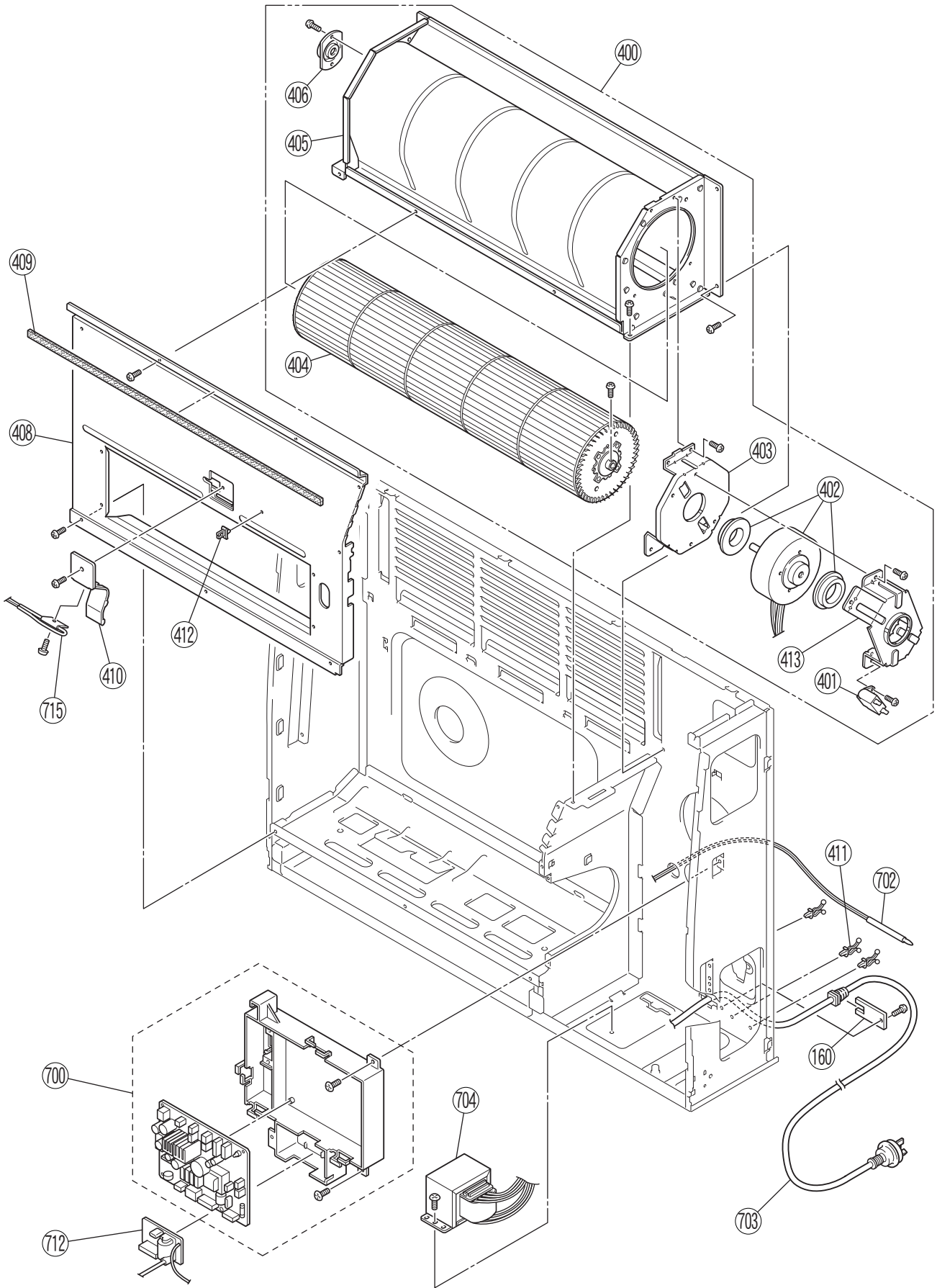
RHFE-559FT



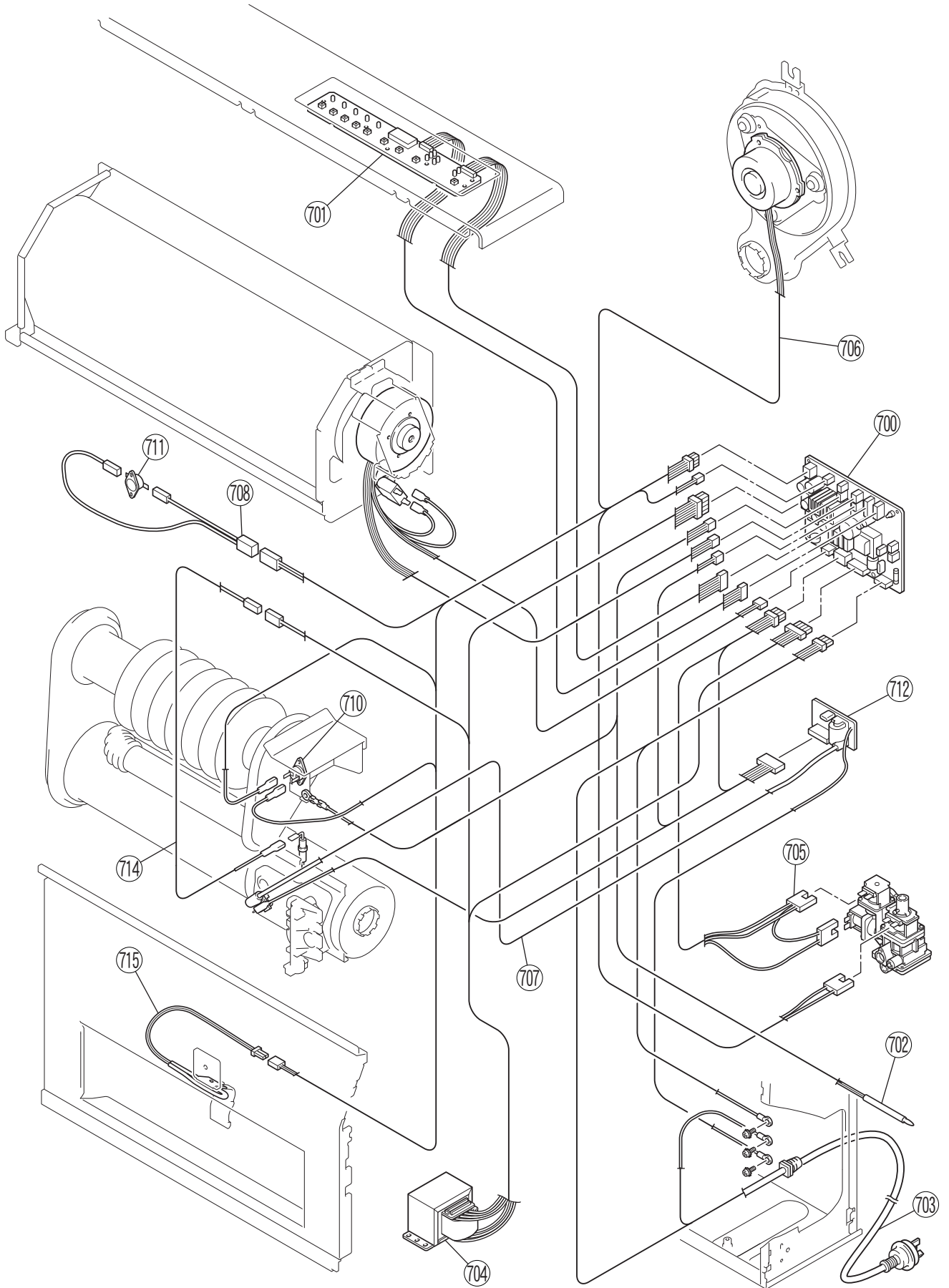
RHFE-559FT



RHFE-559FT



RHFE-559FT



| No. RA-2010-004 | | | |
|--|------------------------------------|----------------|----------------------|
| Title: Spare parts for Energysaver RHFE-559FT | | | |
| No | Description | RA Item | 11 Digit Code |
| 1 | Rear Panel A | | 004-936-000 |
| 2 | Frame R | | 047-0006000 |
| 3 | Frame L | | 047-0007000 |
| 4 | Frame Center | | 047-0008000 |
| 5 | Bottom Plate Support | | 005-281-000 |
| 6 | Humidifier Tray Fixing Plate | | 538-0672000 |
| 7 | Bottom Plate Upper Partition Plate | | 515-354-000 |
| 10 | Top Plate Supporter H | | 044-194-000 |
| 11 | Top Plate Supporter V | | 044-195-000 |
| 12 | PANEL TOP | 90196560 | 001-0719000 |
| 13 | PANEL CONTROL | 90196562 | 063-901-000 |
| 15 | Cover | | 098-3025000 |
| 16 | PANEL SIDE R | 90196564 | 003-972-000 |
| 17 | PANEL SIDE L | 90196566 | 003-973-000 |
| 18 | FILTER ASSY 1 | 90175548 | 017-296-000 |
| 19 | FOOT FRONT | 90165663 | 015-140-000 |
| 20 | FOOT REAR | 90165655 | 015-141-000 |
| 21 | Floor Fixing Bracket | | 537-677-000 |
| 22 | HEAT EXCH GASKET | 90175563 | 580-640-000 |
| 23 | LOUVER ASSY | 90196568 | 095-251-000 |
| 24 | PANEL FRONT | 90196570 | 019-4377000 |
| 25 | Heat Shierd Panel | | 030-0280000 |
| 26 | BACK SPACER TOP | 90196572 | 034-0052000 |
| 27 | BACK SPACER R | 90196574 | 034-0053000 |
| 28 | BACK SPACER L | 90196576 | 034-0054000 |
| 29 | Warm Air Seal Panel | | 512-420-000 |
| 30 | Cord Packing B | | 580-149-000 |
| 31 | Cord Packing A | | 580-148-000 |
| 32 | Heat Insulator A | | 031-331-000 |
| 34 | Lock A | | 066-874-000 |
| 35 | PANEL KICK ASSY | 90196578 | 098-3026000 |
| 36 | Guard | | 056-203-000 |
| 37 | Front Panel Bracket | | 517-512-000 |
| 38 | CLIP WALL SPACER | 90147471 | 504-018-000 |
| 39 | DECAL RINNAI | 90196518 | 602-0817000 |
| 40 | Lock Bracket | | 517-513-000 |
| 100 | Heat Exchanger Assy | 90199862 | 314-796-000 |
| 101 | Fixing Plate | | 537-0931000 |
| 102 | Combustion Chamber Fixer | | 537-673-000 |
| 103 | OHS Fixer | | 538-0673000 |
| 104 | Burner Box | | 527-217-000 |
| 105 | Flange Board | | 190-199-000 |
| 106 | Seal Plate B | | 538-653-000 |
| 107 | Flame Rod Retainer | | 538-277-000 |
| 108 | FLAME ROD | 90142803 | 230-017-000 |
| 109 | Flame Rod Bracket | | 537-849-000 |
| 110 | Flame Rod Packing | | 580-458-000 |
| 111 | BURNER ASSY | 90170630 | 157-063-LPG |
| 112 | Seal Plate Packing | | 580-0615000 |

| No. RA-2010-004 | | | |
|--|-----------------------------------|----------------|----------------------|
| Title: Spare parts for Energysaver RHFE-559FT | | | |
| No | Description | RA Item | 11 Digit Code |
| 113 | Burner Box Supporter Assy | | 538-276-000 |
| 114 | GASKET BURNER BOX | 90175662 | 580-641-000 |
| 115 | Burner Box Fitting Plate Assy | | 202-251-000 |
| 116 | DAMPER | 90196580 | 140-543-G00 |
| 117 | DAMPER SECONDARY NG | 90178740 | 140-564-100 |
| 117 | DAMPER SECONDARY LP | 90178112 | 140-564-200 |
| 118 | Fitting Plate Packing | 90197131 | 580-0616000 |
| 119 | Manifold | | 101-779-000 |
| 120 | INJECTOR LP | 90196582 | 130-329-082 |
| 120 | INJECTOR NG | 90196584 | 130-329-125 |
| 121 | Manifold Packing | | 580-392-000 |
| 122 | Electrode Mounting Plate | 999 | 202-251-000 |
| 123 | ELECTRODE | 999 | 202-251-000 |
| 124 | GASKET ELECTRODE | 999 | 202-251-000 |
| 125 | GAS CONTROL | 90196588 | 120-0083000 |
| 126 | Inter Connection Assy | | 109-848-000 |
| 127 | O RING GAS | 90148594 | 520-001-010 |
| 128 | O Ring | | 520-027-010 |
| 129 | Pressure Point | | 501-193-000 |
| 130 | GASKET | 90176637 | 510-519-000 |
| 131 | FILTER GAS | 90196530 | 017-0108000 |
| 132 | FLANGE GAS INLET | 90165515 | 106-301-000 |
| 133 | Connecting Tube Retainer | | 538-0674000 |
| 134 | DRAIN COLLECTOR | 90197286 | 517-296-000 |
| 135 | INLET AIR | 90196590 | 094-026-000 |
| 136 | SEAL INLET HOUSING | 90123050 | 510-506-000 |
| 137 | INLET AIR HOSE | 90196592 | 513-206-000 |
| 138 | ELBOW AIR INLET RUBBER | 90122953 | 191-051-000 |
| 139 | TUBE CONN COMB CHAMB | 90175720 | 322-141-000 |
| 140 | Connecting Tube Fixer | | 538-062-000 |
| 141 | Connecting Tube Fixer | | 538-0606000 |
| 142 | Combustion Fan Casing Assy | | 019-0820000 |
| 143 | BAFFLE RING AIR INTAKE NG | 90179586 | 142-124-160 |
| 143 | BAFFLE RING AIR INTAKE LPG | 90179588 | 142-124-180 |
| 148 | Screw For Motor | | 501-303-000 |
| 149 | CUSHION | 90183195 | 540-051-000 |
| 150 | FLUE SLIDING TUBE ASSY | 90196594 | 554-224-000 |
| 151 | ORING EXHAUST | 90196528 | 520-160-000 |
| 152 | COVER OUTLET FLUE | 90165382 | 034-457-000 |
| 153 | CLIP INSTALLATION | 90165374 | 552-075-000 |
| 156 | Pressure Point Screw | | 501-275-005 |
| 157 | O RING (S4) TEST POINT | 90195165 | 520-300-010 |
| 158 | FAN COMB ASSY | 90196596 | 040-385-000 |
| 159 | FLUE LOCK CLAMP | 90165358 | 512-327-000 |
| 160 | ELEC CORD BKT | 90177114 | 538-180-000 |
| 161 | Tube | | 513-212-000 |
| 162 | CLIP HOSE 556 USE 90170341 | 90178146 | 538-065-000 |
| 400 | FAN CONV TOTAL ASSY | 90196598 | 040-386-000 |
| 401 | CAPACITOR CONV FAN 3UF | 90179490 | 225-111-000 |

| No. RA-2010-004 | | | |
|--|---|----------------|----------------------|
| Title: Spare parts for Energysaver RHFE-559FT | | | |
| No | Description | RA Item | 11 Digit Code |
| 402 | Convection Motor | | 222-671-000 |
| 403 | Motor Fixing Plate | | 537-0932000 |
| 404 | Convection Fan Blade | | 040-387-000 |
| 405 | Casing Assembly | | 98-3027000 |
| 406 | Bearing | | 067-031-000 |
| 407 | TRAY HUMIDIFIER | 90175753 | 078-016-000 |
| 408 | Heat Shield Board Assy | | 030-0281000 |
| 409 | SEAL | 90196602 | 526-367-000 |
| 410 | TF Fixing Plate | | 537-847-000 |
| 411 | Cable Clip | | 504-024-000 |
| 412 | Wire Clip | | 505-122-000 |
| 413 | Motor Bracket | | 538-0675000 |
| 700 | PCB MAIN | 90196604 | 200-1823000 |
| 701 | PCB CONTROL | 90196538 | 200-1824000 |
| 702 | THERMISTOR ASSY (inc Room & O/Heat Thermistors) | 90196606 | 233-296-000 |
| 703 | CORD POWER | 90196608 | 206-298-000 |
| 704 | TRANSFORMER | 90196610 | 224-372-000 |
| 705 | HARNESS SOLENOID | 90196612 | 290-1987000 |
| 706 | HARNESS MOTOR | 90196614 | 290-1988000 |
| 707 | LEAD HT | 90196616 | 203-881-000 |
| 708 | HARNESS OHS ASSY | 90196618 | 290-1989000 |
| 710 | OHS | 90196546 | 234-416-000 |
| 711 | OHS | 90196620 | 234-408-000 |
| 712 | IGNITER | 90196542 | 211-228-000 |
| 713 | Sleeve | | 513-109-000 |
| 714 | LEAD FLAME ROD | 90196558 | 209-326-000 |
| 715 | HARNESS THERMAL FUSE | 90196552 | 290-1990000 |
| 999 | ELECTRODE ASSY 309 559 | 90196587 | 202-251-000 |