

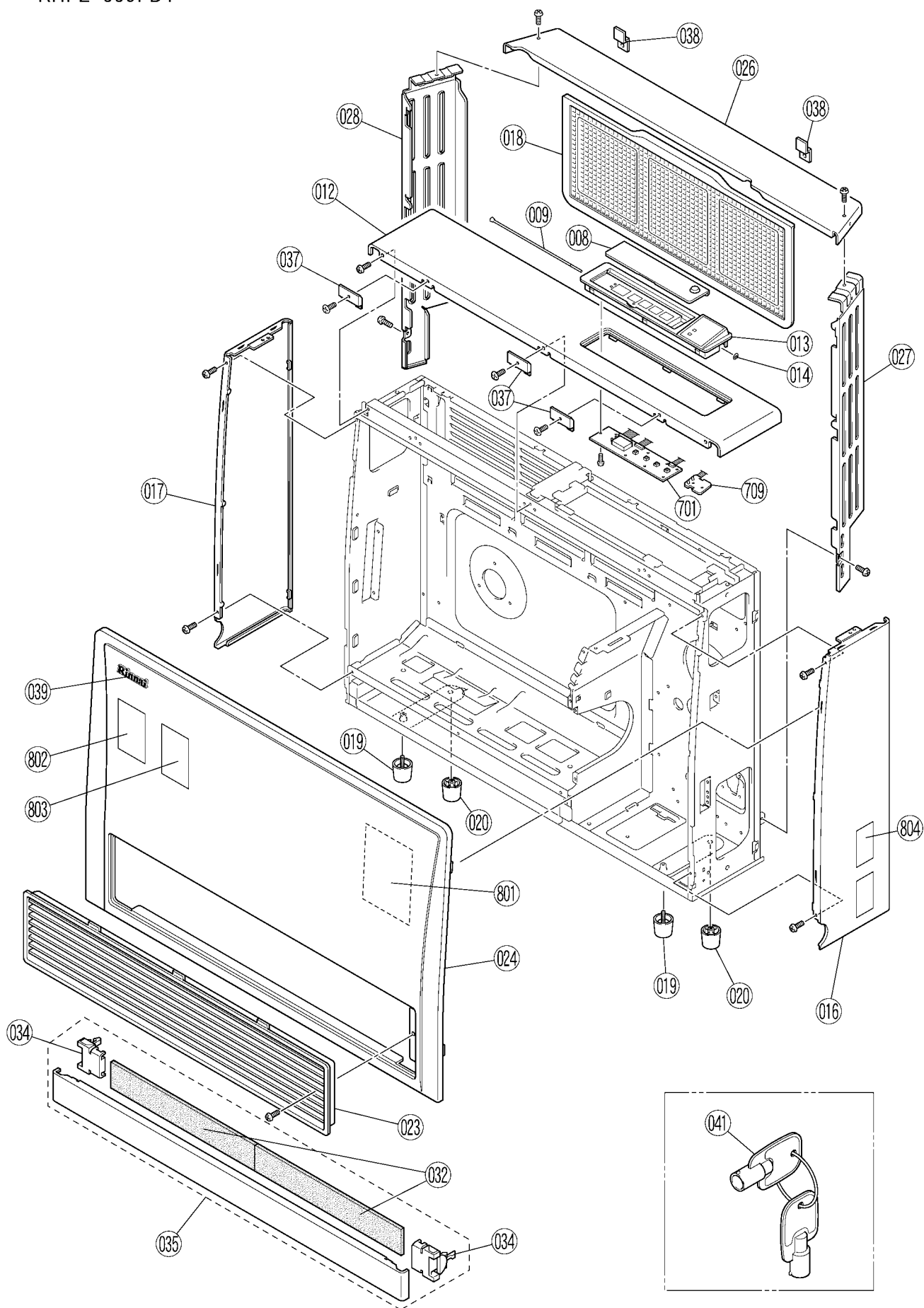
RHFE-559FDT		Effective 27/10/14 Version 1	
NO	Description	RA Part No	11 Digit Code
001	Rear Panel A		004-936-000
002	Frame R		047-0006000
003	Frame L B		047-5519000
004	Frame Center		047-0008000
005	Bottom Plate Support		005-281-000
006	Humidifier Tray Fixing Plate		538-0672000
007	Bottom Plate Upper Partition Plate		515-354-000
008	LID CONTROL COVER	90179582	035-2563000
009	Control Cover Axis Bar		528-238-000
010	Top Plate Supporter H		044-194-000
011	Top Plate Supporter V		044-195-000
012	PANEL TOP 559	90196560	001-0719000
013	PANEL CONTROL 559	90179584	527-445-000
014	HINGE PIN CIRCLIP 1004	90185554	501-387-000
015	Cover B		098-3740000
016	PANEL SIDE RH 559	90196564	003-972-000
017	PANEL SIDE LH 559	90196566	003-973-000
018	FILTER ASSY 1 431 556 559	90175548	017-296-000
019	FOOT FRONT 309 556 557 559	90165663	015-140-000
020	FOOT REAR 309 556 557 559	90165655	015-141-000
021	Floor fixation Bracket		537-677-000
022	GASKET HEAT EXCH 556 557 559	90175563	580-640-000
023	LOUVRE ASSY 559	90196568	095-251-000
024	PANEL FRONT 559	90196570	019-4377000
025	Rear Panel Insulation		030-0280000
026	BACK SPACER TOP 559	90196572	034-0052000
027	BACK SPACER RH 559	90196574	034-0053000
028	BACK SPACER LH 559	90196576	034-0054000
029	Warm Air Sealing Plate		512-420-000
030	CORD GASKET B		580-149-000
031	CORD GASKET A		580-148-000
032	Heat Insulator A		031-331-000
033	Gasket 2		580-0811000
034	Rock A		066-874-000
035	PANEL KICK ASSY 559	90196578	098-3388000

RHFE-559FDT		Effective 27/10/14 Version 1	
NO	Description	RA Part No	11 Digit Code
036	Guard		056-203-000
037	BRKT PANEL FRONT	90179594	517-512-000
038	CLIP WALL SPACER	90147471	504-018-000
039	DECAL RINNAI 309	90196518	602-0817000
040	Rock Bracket		517-513-000
041	KEY ONLY 556 1001 1004	90182544	066-835-000
100	HEAT EXCH 559FT	90199862	314-796-000
101	Fixing Plate		537-0931000
102	Chamber Bracket		537-673-000
103	OHS Fixer		538-0673000
104	Burner Box		527-217-000
105	Flange Board		190-199-000
106	Seal Plate B Assembly		538-653-000
107	Flame Rod Bracket		538-277-000
108	FLAME ROD 308 557 556 1001/4	90142803	230-017-000
109	Flame Rod Bracket		537-849-000
110	GASKET FLAME ROD	90179596	580-458-000
111	BURNER ASSY 309 556 557 559	90170630	157-063-LPG
112	Rail packing		580-0615000
113	Burner Support Rear Assem		538-276-000
114	GASKET BURNER BOX 309 556 559	90175662	580-641-000
115	Burner Box Fixing		537-1094000
116	DAMPER 559	90196580	140-543-G00
117	DAMPER SECONDARY NG 557 559	90178740	140-564-100
117	DAMPER SECONDARY LPG 557 559	90178112	140-564-200
118	PACKING BURNER BOX 561FT	90197129	580-0616000
119	Manifold		101-779-000
120	INJECTOR LPG 559	90196582	130-329-082
120	INJECTOR NG 309 559	90196584	130-329-125
121	PACKING MANIFOLD 561FT	90197131	580-392-000
122	Electrode Kit C		506-179-000
123	ELECTRODE 561FT	90197133	202-246-000
124	PACKING ELECTRODE 561FT	90197135	580-0812000
125	GAS CONTROL 309 559	90196588	120-0083000
126	Inter Connection Assy		109-848-000

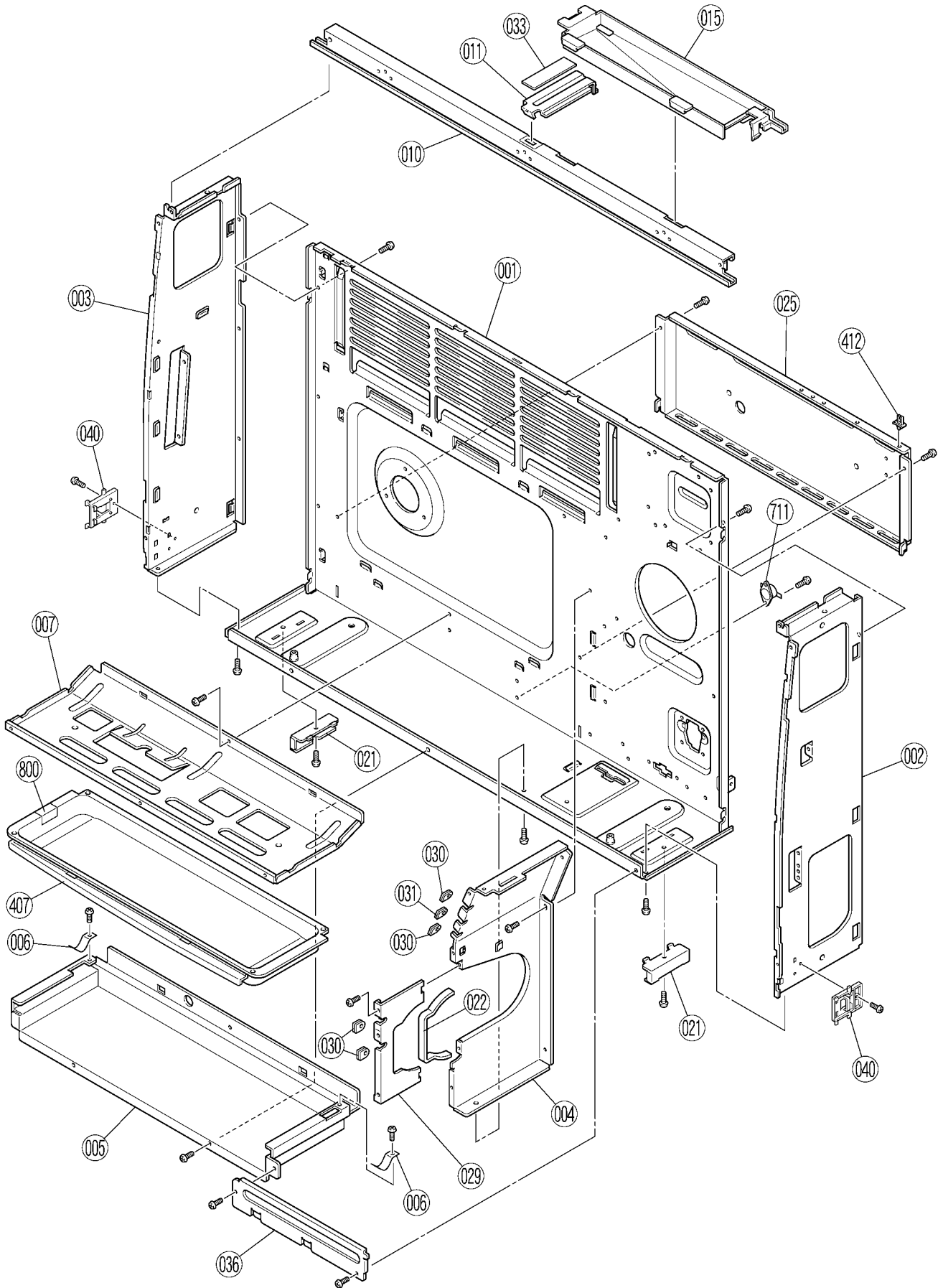
RHFE-559FDT		Effective 27/10/14 Version 1	
NO	Description	RA Part No	11 Digit Code
127	O RING GAS 210 211 329 570 670	90148594	520-001-010
128	ORING 561FT	90197137	520-027-010
129	Pressure Point Screw		501-193-000
130	GASKET 151 252 329 506 516 311	90176637	510-519-000
131	FILTER GAS 309 559	90196530	017-0108000
132	FLANGE GAS INLET 556 557 559	90165515	106-301-000
133	Connecting Tube Retainer		538-0674000
134	DRAIN COLLECTOR	90179598	517-533-000
135	INLET AIR 559	90196590	094-026-000
136	SEAL INLET HOUSING 556 557 559	90123050	510-506-000
137	HOSE INLET AIR 559	90196592	513-206-000
138	ELBOW AIR INLET RUBBER 557 559	90122953	191-051-000
139	TUBE CONN COMB CHAMB 556 559	90175720	322-141-000
140	Communication rubber pipe		538-062-000
141	Connecting Tube Fixer		538-0606000
142	COMBUSTION FAN CASING D		098-3897000
143	BAFFLE RING AIR INTAKE NG	90179586	142-124-160
143	BAFFLE RING AIR INTAKE LPG	90179588	142-124-180
148	Screw For Motor		501-303-000
149	CUSHION 460 560 1004 30FT 311	90183195	540-051-000
150	FLUE SLIDING TUBE ASSY 559	90196594	554-224-000
151	ORING EXHAUST 309 559	90196528	520-160-000
152	COVER OUTLET FLUE 403 556 557	90165382	034-457-000
153	CLIP INSTALLATION 556 557 559	90165374	552-075-000
156	SCREW TEST POINT	90195157	501-275-005
157	O RING (S4) TEST POINT 371TR	90195165	520-300-010
158	FAN COMB ASSY 559	90196596	040-385-000
159	FLUE LOCK CLAMP 431 553 556	90165358	512-327-000
160	ELEC CORD BKT 516 570 670 559	90177114	538-180-000
161	TUBE GAS CONTROL 561FT	90197143	513-212-000
162	*NLA*CLIP HOSE 556 USE90170341	90178146	538-065-000
163	Tube Clip		553-071-000
400	FAN CONV TOTAL ASSY 559	90196598	040-386-000
401	CAPACITOR CONV FAN 3UF 308 559	90179490	225-111-000
402	Convection Motor		222-671-000

RHFE-559FDT			Effective 27/10/14 Version 1
NO	Description	RA Part No	11 Digit Code
403	Motor Fixing Plate		537-0932000
404	Convection Fan Blade		040-387-000
405	Casing Assembly		098-3027000
406	Metal		067-031-000
407	TRAY HUMIDIFIER 431 556 559	90175753	078-019-000
408	Insulation Plate Assy		030-0281000
409	SEAL 559	90196602	526-367-000
410	TF Fixing Plate		537-847-000
411	CABLE CLIP (0248)		504-024-000
412	Wire Clip		505-122-000
413	Motor Bracket		538-0675000
700	PCB MAIN 559	90196604	200-1823000
701	PCB CONTROL	90179590	200-2122000
702	THERMISTOR 559	90196606	233-296-000
703	CORD POWER 559	90196608	206-298-000
704	TRANSFORMER 559	90196610	224-372-000
705	HARNESS SOLENOID 559	90196612	290-1987000
706	HARNESS MOTOR 559	90196614	290-1988000
707	LEAD HT 309 559	90196616	203-881-000
708	HARNESS OHS ASSY 559	90196618	290-1989000
709	PCB LED	90179592	200-2106000
710	OHS 130C 308 431 556	90178567	234-416-000
711	OHS 559	90196620	234-408-000
712	SPARKER IGNITOR 309 509	90196542	211-228-000
713	Electrode Sleeve		513-109-000
714	LEAD FLAME ROD 561FT	90197167	209-465-000
715	HARNESS THERMAL FUSE 309 559	90196552	290-1990000
800	WATER LEVEL LABEL B		602-654-000
801	Instruction Manual		601-215-000
802	Economize Energy Label		602-0818000
803	Emission Label		602-1291000
804	WARNING LABEL		602-707-000
808	Operation Manual		610-0051000
999	ELECTRODE ASSY	90196587	202-251-000

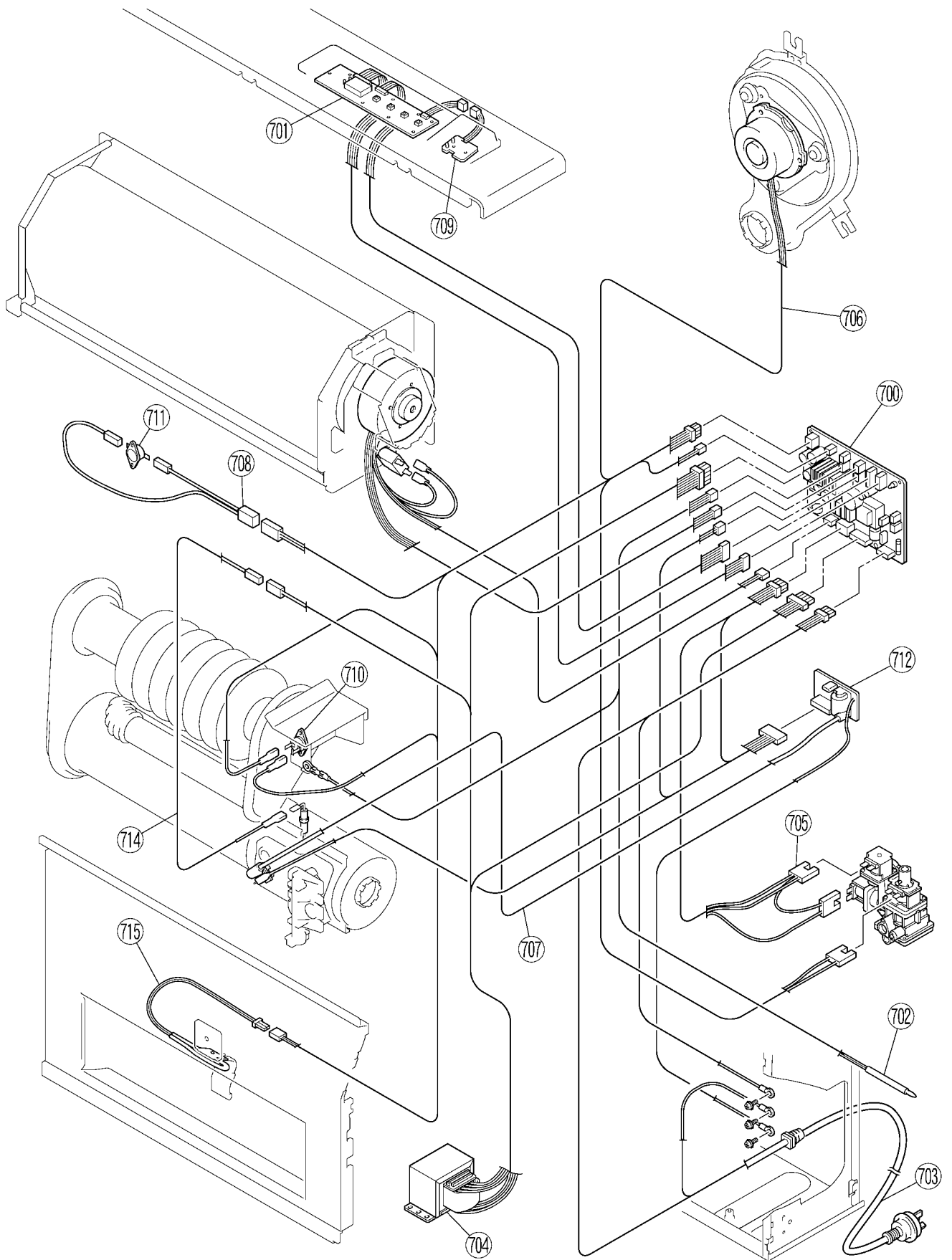
RHFE-559FDT



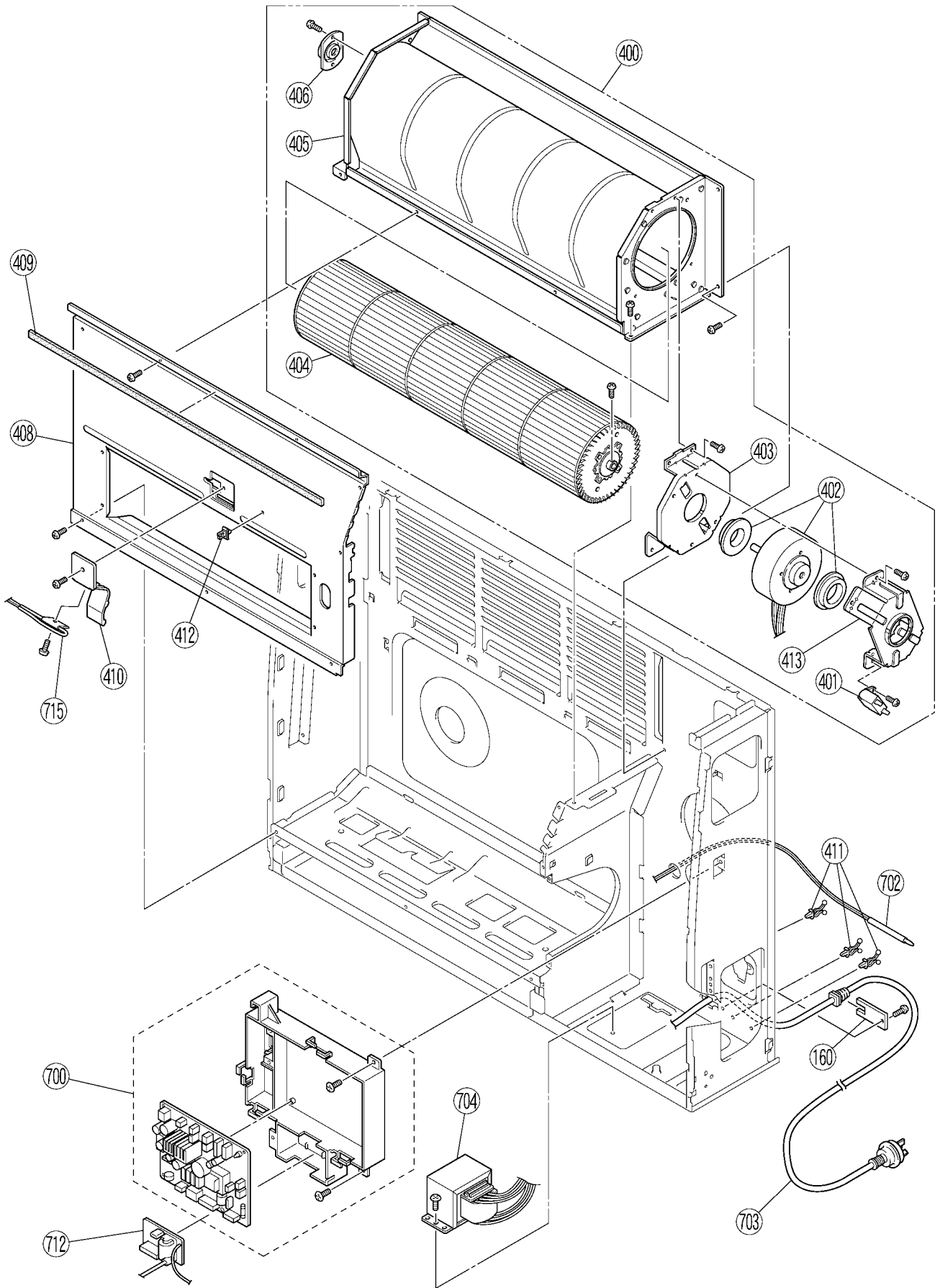
RHFE-559FDT



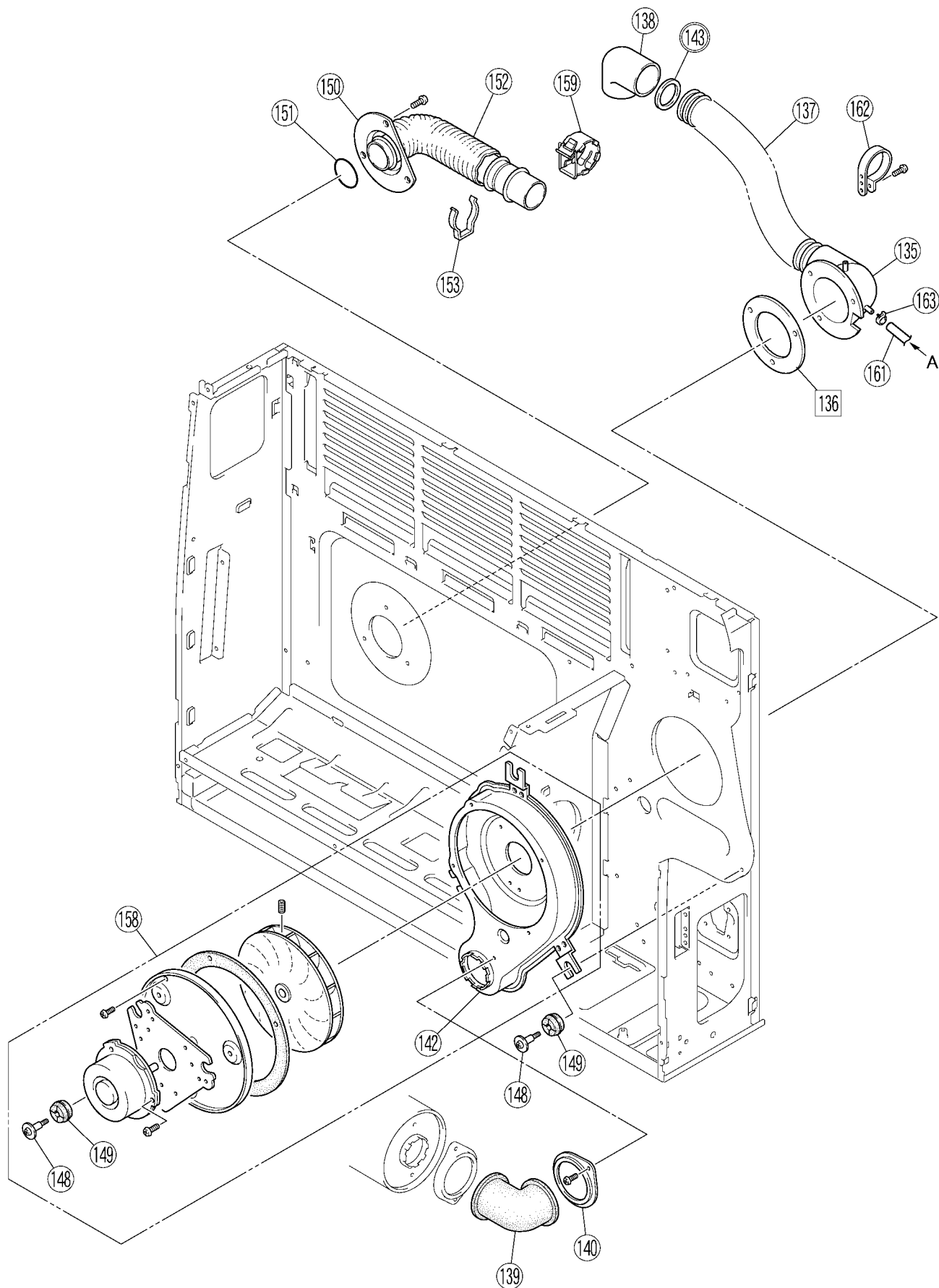
RHFE-559FDT



RHFE-559FDT



RHFE-559FDT



RHFE-559FDT

