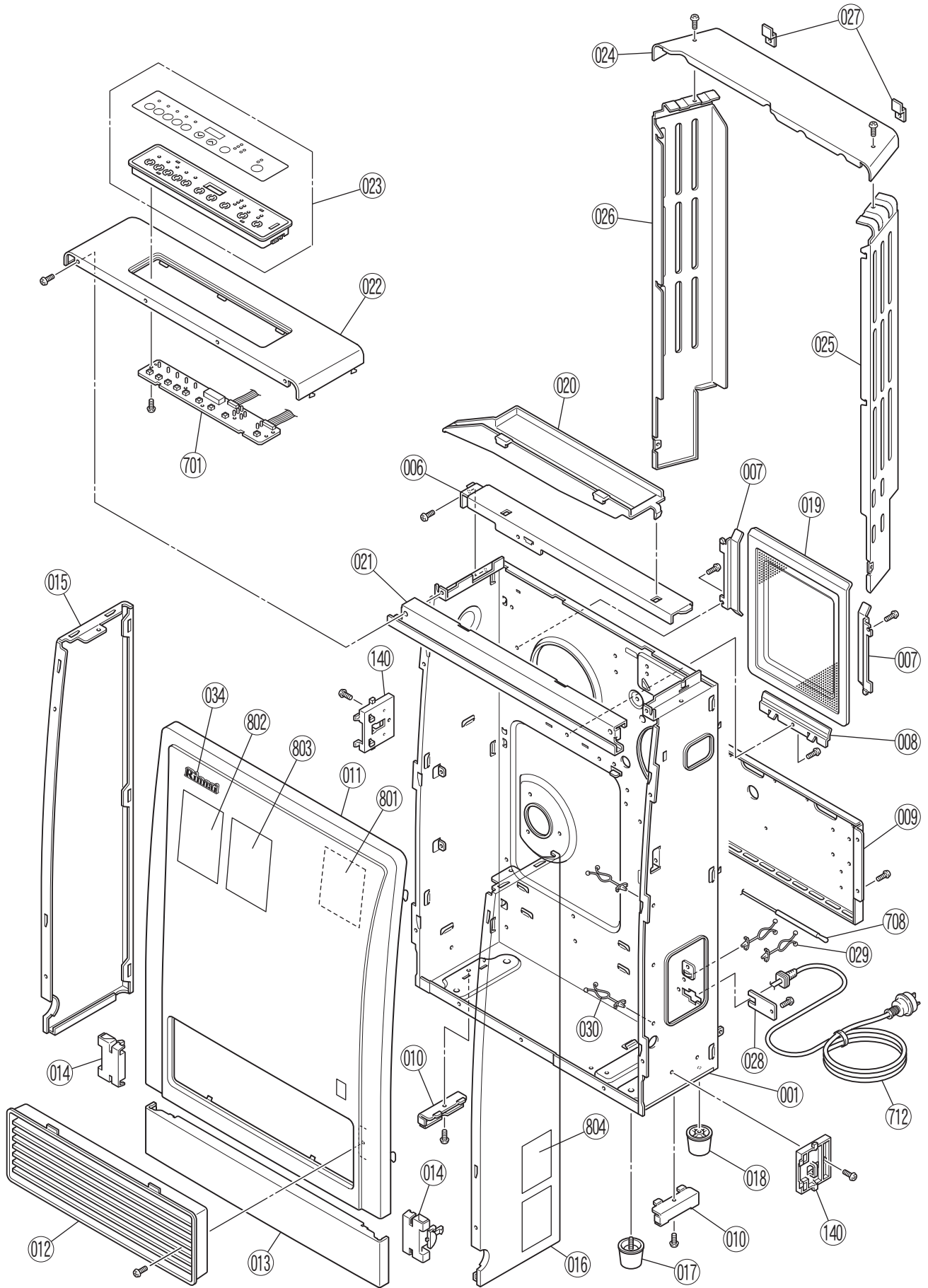


No. RA-2010-04			
Title: Spare parts for Energysaver RHFE-309FT			
NO	Part Name	RA Item	11 Digit Code
1	Rear Panel Assembly		004-937-000
2	Frame Center		047-0009000
3	Bottom Plate Support		005-282-000
4	Bottom Plate Upper Partition Plate		515-355-000
5	Humidifier Tray Fixing Plate		538-0676000
6	Convection Fan Bracket		537-0934000
7	BRKT FILTER SIDE	90102161	538-059-000
8	BRKT FILTER BOTTOM	90102179	538-064-000
9	Heat Shield Panel		030-790-000
10	Floor Fixing Bracket		537-677-000
11	PANEL FRONT	90196494	019-4387000
12	LOUVER ASSY	90196496	095-252-000
13	PANEL KICK	90196498	098-3028000
14	BRK PANEL KICK 309	90196499	066-875-000
15	PANEL SIDE L	90196500	003-974-000
16	PANEL SIDE R	90196502	003-975-000
17	FOOT FRONT	90165663	015-140-000
18	FOOT REAR	90165655	015-141-000
19	AIR FILTER	90196504	017-980-000
20	Cover		098-3029000
21	SUPPORT TOP PANEL	90196506	044-196-000
22	PANEL TOP	90196508	001-0721000
23	PANEL CONTROL	90196510	063-904-000
24	BACK SPACER TOP	90196512	034-0055000
25	BACK SPACER R	90196514	034-0056000
26	BACK SPACER L	90196516	034-0057000
27	CLIP WALL SPACER	90147471	504-018-000
28	ELEC CORD BKT	90177114	538-180-000
29	Cable Clip		504-024-000
30	Cable Clip		504-054-000
31	Transformer Bracket		537-0935000
32	OHS No2 Bracket		537-0936000
33	TRAY HUMIDIFIER	90113390	078-017-000
34	DECAL RINNAI	90196518	602-0817000
100	Heat Exchanger Assy		108-162-000
101	OHS Fixer		537-422-000
102	Flame Rod Bracket		537-849-000
103	Flame Rod Packing		580-458-000
104	FLAME ROD	90196520	230-048-000
105	Flame Rod Retainer		538-277-000
106	Combustion Chamber Fixer		537-673-000
107	Fixing Plate		537-0937000
108	Seal Plate Packing		580-0615000
109	Seal Plate B		538-653-000
110	Flange Board		190-199-000
111	BURNER BOX ASSY	90196522	527-390-000
112	BURNER ASSY	90170630	157-063-LPG
113	Burner Box Supporter Assy		538-258-000
114	GASKET BURNER BOX	90175662	580-641-000

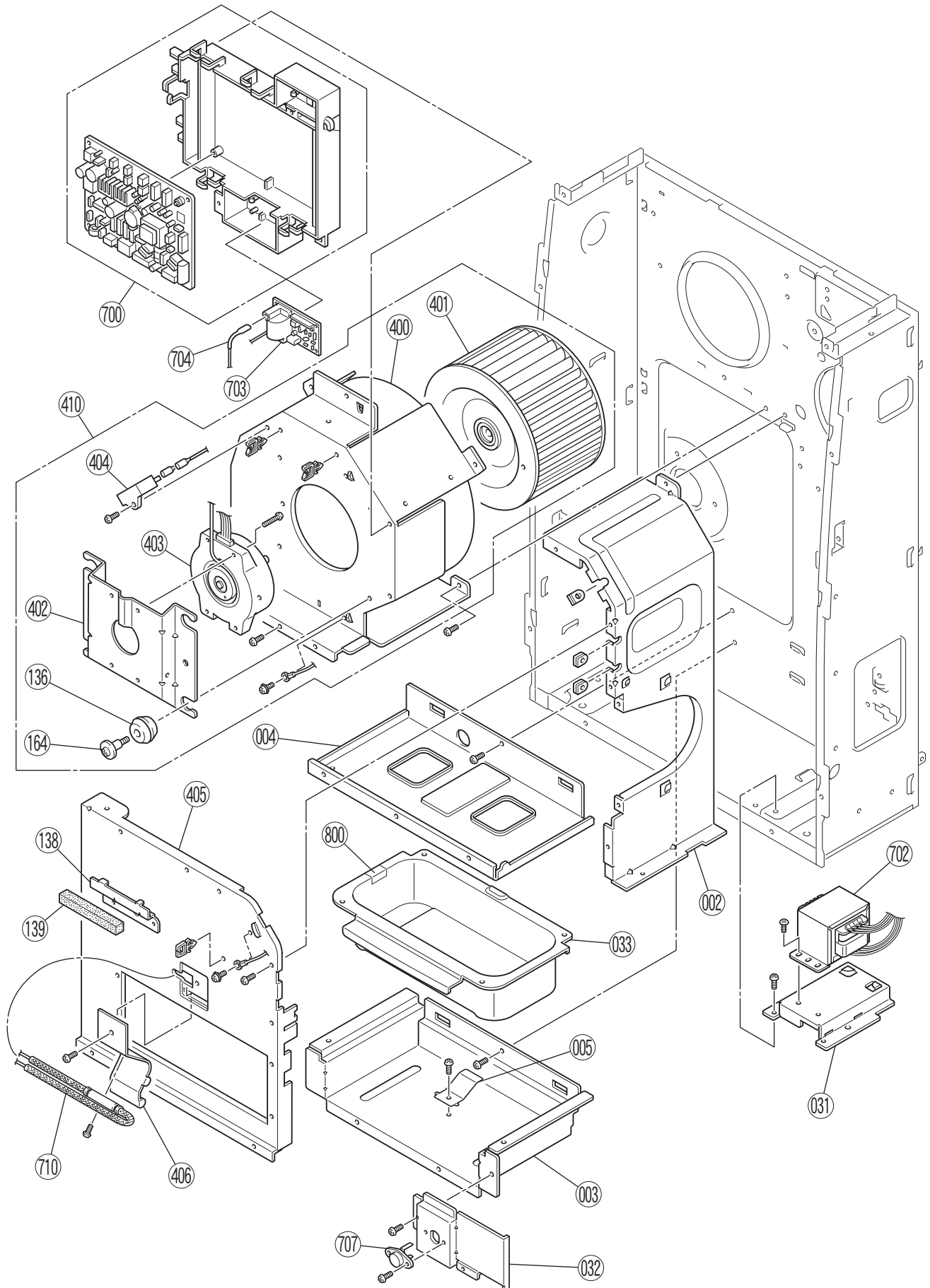
No. RA-2010-04			
Title: Spare parts for Energysaver RHFE-309FT			
NO	Part Name	RA Item	11 Digit Code
115	DAMPER PRIMARY LP	90179144	140-618-000
116	DAMPER SECONDARY LP	90179474	140-558-A00
116	DAMPER SECONDARY NG	90179482	140-558-B00
117	Electrode Mounting Plate		202-251-000
118	ELECTRODE		202-251-000
119	GASKET ELECTRODE		202-251-000
120	INJECTOR LP 0.85	90165168	130-329-085
120	INJECTOR NG	90196584	130-329-125
121	INJECTOR MANIFOLD	90121757	101-369-000
122	Manifold Packing		580-392-000
123	Burner Box Fitting Plate Assy		202-251-000
124	Fitting Plate Packing		580-0616000
125	Warm Air Seal Panel		512-420-000
126	HEAT EXCH GASKET	90175563	580-640-000
127	GAS CONTROL	90196588	120-0083000
128	Pressure Point		501-193-000
129	Inter Connection Assy		109-851-000
130	O Ring		520-027-010
131	Pressure Point Screw		501-275-005
132	O RING (S4) TEST POINT	90195165	520-300-010
133	Connecting Tube Retainer		538-0674000
134	FAN COMB ASSY	90196524	040-388-000
135	Combustion Fan Motor Bracket		537-0938000
136	CUSHION	90183195	540-051-000
137	Screw For Motor		501-303-000
138	Front Panel Fixer		538-0677000
139	Front Panel Packing		580-0682000
140	Lock Bracket		517-514-000
141	Air Inlet A		109-852-000
142	Air Inlet Packing		580-0683000
143	Combustion Chamber Connection		109-853-000
144	Connecting Tube Fixer		538-0606000
145	Tube E		513-0057000
146	Hose Band J		553-071-000
147	INLET AIR	90196590	094-026-000
148	SEAL INLET HOUSING	90123050	510-506-000
149	HOSE AIR INLET	90122961	513-126-000
150	ELBOW AIR INLET RUBBER	90122953	191-051-000
151	ELBOW EXHAUST ASSY	90196526	191-330-000
152	ORING EXHAUST	90196528	520-160-000
153	Cover		098-159-000
154	CLIP INSTALLATION	90165374	552-075-000
155	FLUE LOCK CLAMP	90165358	512-327-000
156	CLIP HOSE USE 90170341	90178146	538-065-000
157	FLANGE GAS INLET	90165515	106-301-000
158	FILTER GAS	90196530	017-0108000
159	GASKET	90176637	510-519-000
160	BAFFLE RING AIR INTAKE NG / LPG	90179586	142-124-160
400	Convection Fan Casing Assy		098-3030000

No. RA-2010-04			
Title: Spare parts for Energysaver RHFE-309FT			
NO	Part Name	RA Item	11 Digit Code
401	BLADE FAN CONV	90116872	040-266-000
402	Motor Base		112-098-000
403	MOTOR CONV ASSY	90196532	222-672-000
404	CAPACITOR CONV FAN 3UF	90179490	225-111-000
405	Heat Shield Board Assy		030-0282000
406	TF Fixing Plate		537-847-000
410	FAN CONV TOTAL ASSY	90196534	040-389-000
700	PCB MAIN	90196536	200-1827000
701	PCB CONTROL	90196538	200-1824000
702	TRANSFORMER	90196540	224-373-000
703	IGNITER	90196542	211-228-000
704	LEAD HT	90196616	203-881-000
705	Sleeve		513-109-000
706	OHS	90196546	234-416-000
707	OHS 90C	90178575	234-506-000
708	THERMISTOR ASSY (inc Room & O/Heat Thermisto	90196548	233-297-000
709	HARNESS MOTOR	90196550	290-1991000
710	HARNESS THERMAL FUSE	90196552	290-1990000
711	HARNESS SOLENOID	90196554	290-1992000
712	CORD POWER	90196556	206-299-000
713	LEAD FLAME ROD	90196558	209-326-000
999	ELECTRODE ASSY 309 559	90196587	202-251-000

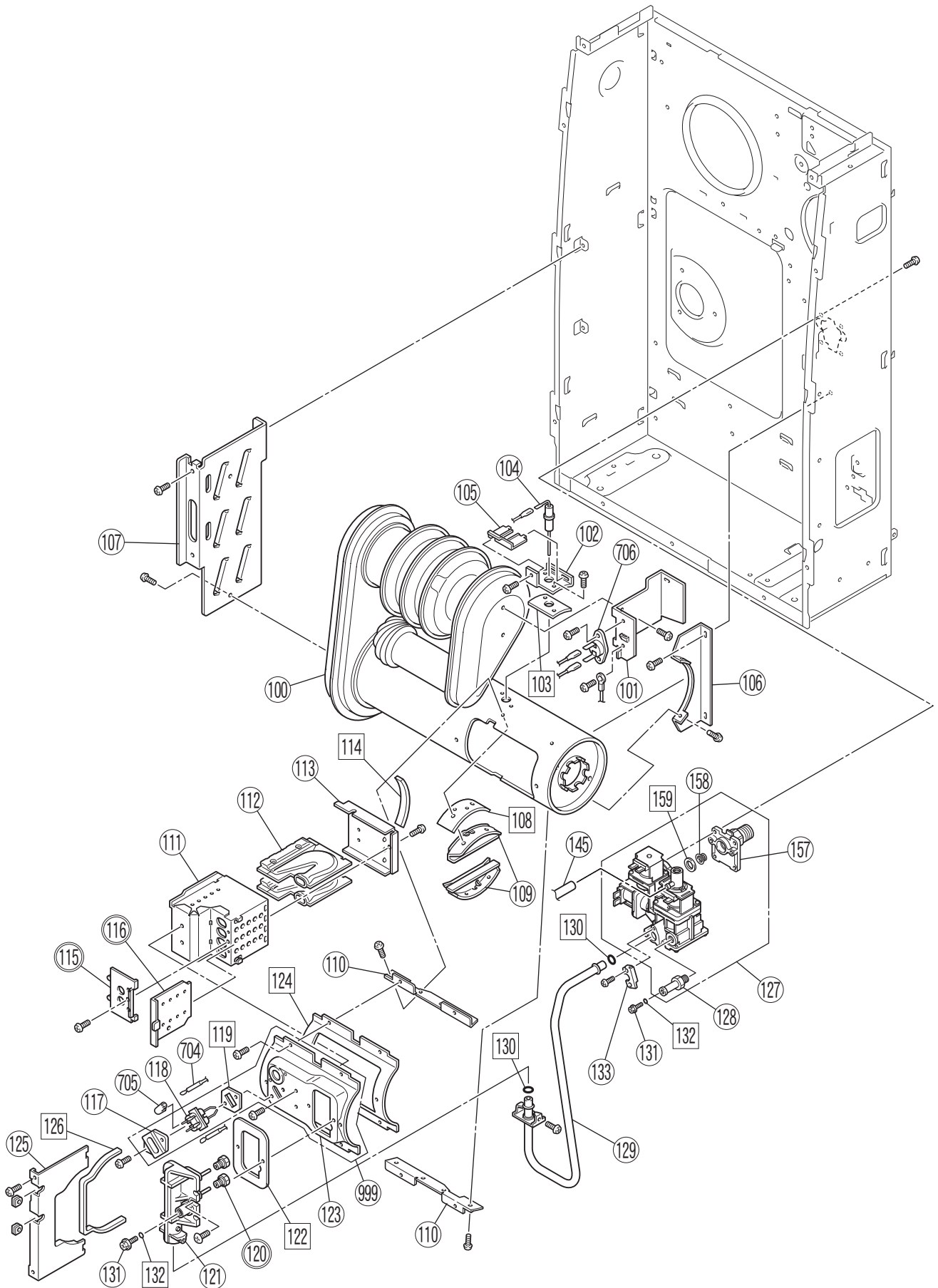
RHFE-309FT



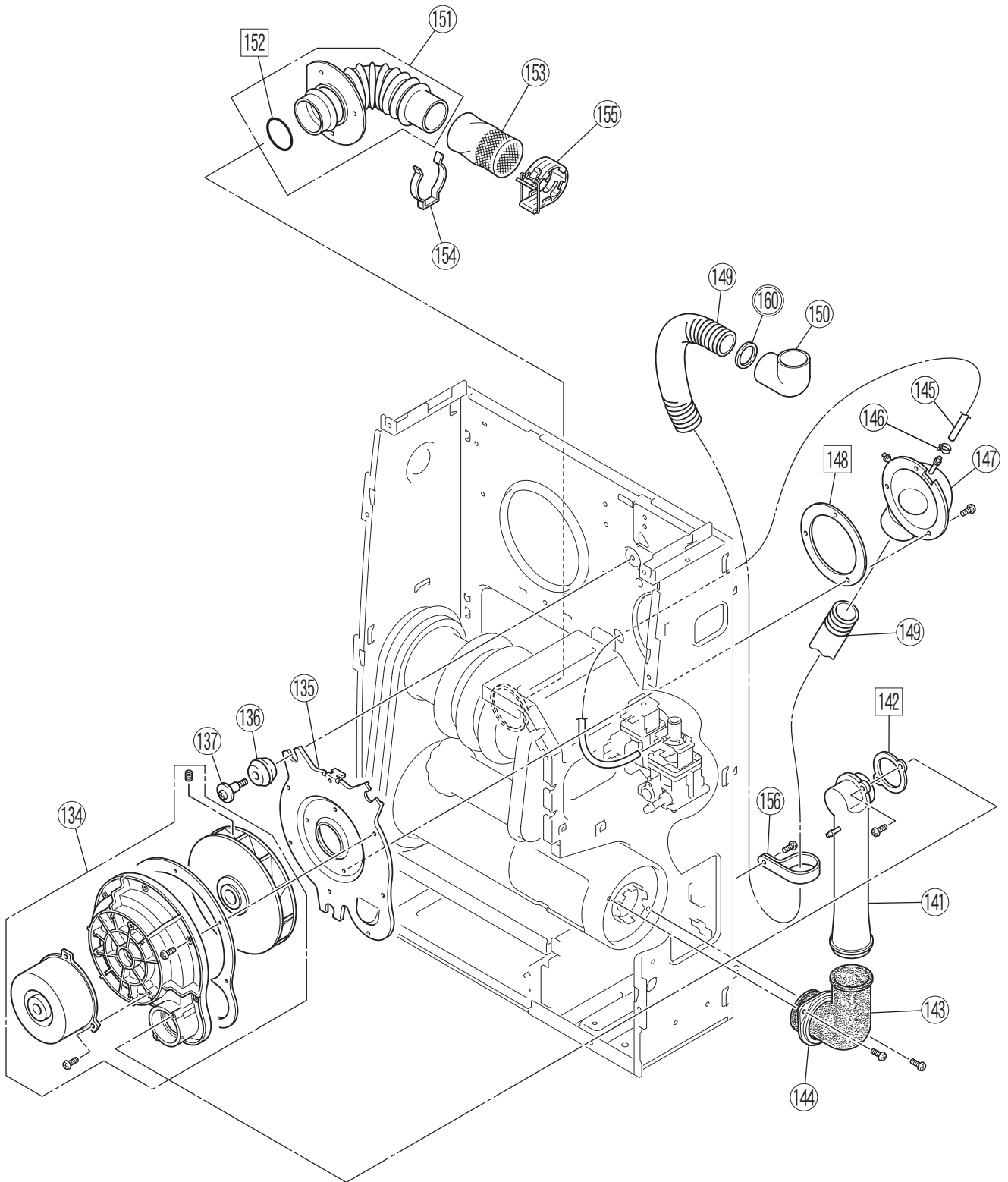
RHFE-309FT



RHFE-309FT



RHFE-309FT



RHFE-309FT

