

RHFE-1005FDT

NO	PART NAME	RA Item	11 Digit Code
001	PANEL FRONT 1005	90199062	019-4932000
002	PANEL TOP 1005FDT	90199114	001-1153000
003	LID CONTROL 1005FT	90199088	035-2587000
004	PANEL SIDE R 1005	90199104	003-0082000
005	PANEL SIDE L 1005	90199106	003-0085000
006	TRIM LOUVRE UPPER 1005	90199084	095-275-000
007	BRKT PANEL FRONT 1005	90199064	538-0831000
008	FRAME CORNER UPPER		047-5556000
009	FRAME CORNER		047-638-000
010	LOUVRE ASSY 1005	90199082	095-277-000
011	TRIM LOUVRE LOWER 1005	90199034	518-070-000
012	HUMIDIFIER ASSY 1005	90199118	035-2517000
013	HINGE LOUVRE DOOR 551 1001/4	90144296	064-039-000
014	WATER FILLER		333-556-000
015	KEY & LOCK 556 1001 1004	90180324	066-812-000
016	HINGE PIN 1004	90185547	528-168-000
017	HINGE PIN CIRCLIP 1004	90185554	501-387-000
018	SPACER SIDE L 1005	90199028	034-0112000
019	SPACER SIDE R 1005	90199030	034-0103000
020	SPACER TOP 1005	90199032	034-0113000
021	FILTER AIR 1005	90199022	017-0161000
022	BRKT SUPPORT SPACER 1004	90185901	537-552-000
023	CLIP WALL SPACER	90147471	504-018-000
024	DECAL RINNAI 309	90196518	602-0817000
026	BASE ASSY 1001 1004	90122797	015-124-000
027	RUBBER BKT ASSY 1001 1004	90168337	537-681-000
028	BASE RUBBER 551 1001 1004	90168329	015-180-000
029	HEAT SHIELD PANEL		030-0280000
030	BACK PLATE		004-984-000
031	BOTTOM PLATE		005-305-000
032	FILTER HOLD SIDE PLATE		538-6862000
033	FILTER HOLD CENTER		538-6863000
034	STRAIGHTENING PLATE A		146-151-000
035	FRAME CENTER		047-5557000

RHFE-1005FDT

NO	PART NAME	RA Item	11 Digit Code
036	PCB UNIT MOUNTING ACCESSORY PLATE		036-365-000
037	FRAME LOWER LEFT ASSY		047-5558000
038	FRAME UPPER LEFT		047-5559000
039	HUMIDIFIER TRAY HOLD PLATE LEFT		508-0108000
040	HUMIDIFIER TRAY HOLD PLATE RIGHT		508-0109000
041	TOP PLATE SUPPORTER		044-236-000
042	TOP PLATE HOLDER		538-0832000
043	BURNER BOX SEAL PLATE		526-417-000
045	TRAY HUMIDIFIER 1001 1004	90145566	078-011-000
046	WATER LEVEL INDICATOR 1001/04	90170036	065-044-000
047	PANEL CONTROL 1005 FDT	90199044	537-1258000
048	PANEL INDICATOR 1005FDT	90199076	537-1259000
049	KEY ONLY 556 1001 1004	90182544	066-835-000
100	HEAT EXCHANGER 1005	90199070	527-448-000
101	BURNER TOTAL ASSY (LP)	90199120	170-638-000
101	BURNER TOTAL ASSY (NG)	90199122	170-639-000
102	MANIFOLD ASSY A (LP)	90199124	101-813-000
102	MANIFOLD ASSY B (NG)	90199125	101-814-000
103	COMB AIR INTAKE ASSY	90199038	092-134-000
104	COMBUSTION CHAMBER CONNECTION PACKING A		580-0894000
105	COMBUSTION CHAMBER CONNECTION PACKING B		580-0895000
106	FIXING PLATE BURNER BOX 1005	90199036	052-024-000
107	BURNER LID MOUNTING PLATE A		537-1202000
108	BURNER LID MOUNTING PLATE B		537-1203000
109	WIRE CLIP		505-191-000
110	SLEEVE ELECTRODE 1005	90199108	513-109-000
111	CLAMP		553-204-000
118	FLAME ROD 1005	90199058	230-066-000
119	ELECTRODE FIXING PLATE A		506-181-000
120	ELECTRODE FIXING PLATE B		506-182-000
121	ELECTRODE BRACKET A		506-183-000
122	ELECTRODE BRACKET B		506-184-000
123	ELECTRODE 561FT	90197133	202-246-000

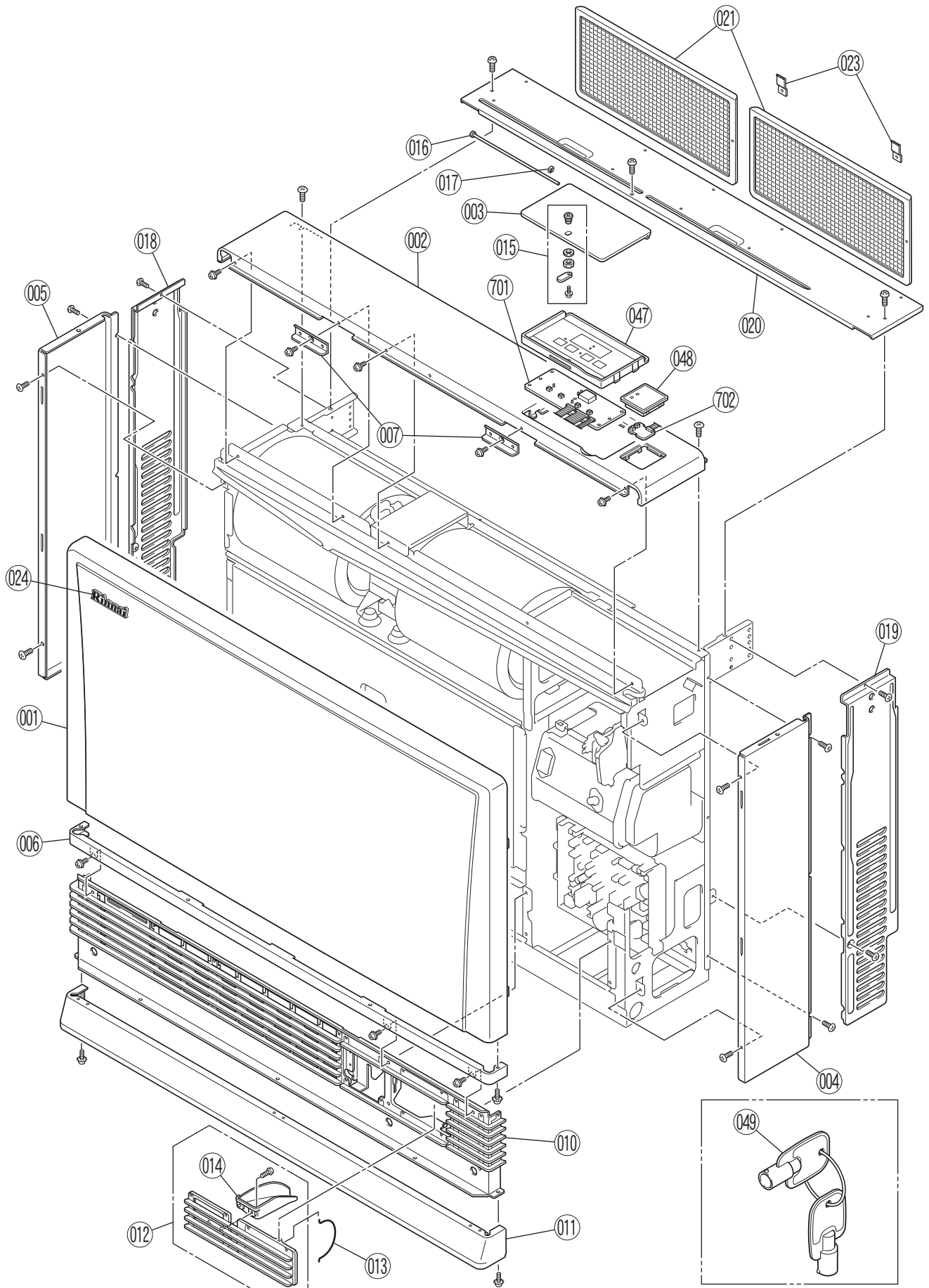
RHFE-1005FDT

NO	PART NAME	RA Item	11 Digit Code
124	PACKING ELECTRODE A 1005	90199052	580-0896000
125	GAS CONTROL ASSY 1005	90199066	120-0178000
126	TUBE GAS 1005	90199080	109-960-000
128	O RING 561FT	90197137	520-027-010
129	RETAINER TUBE GAS 1005	90199042	538-0674000
130	GASKET 151 252 329 506 516 311	90176637	510-519-000
131	FILTER GAS 1005	90199068	017-0135000
132	FLANGE GAS INLET 556 557 559	90165515	106-301-000
133	PACKING ELECTRODE B 1005	90199054	580-0941000
134	SCREW TEST POINT	90195157	501-275-005
135	O RING (S4) TEST POINT 371TR	90195165	520-300-010
136	HOUSING INLET PLASTIC 1005	90199024	094-029-000
137	SEAL AIR INLET 1004	90185703	580-725-000
138	HOSE AIR INLET 1005	90199026	513-110-000
139	ELBOW AIR INLET B 1001 1004	90145806	191-140-000
140	IGNITER BASE PLATE A		112-105-000
141	IGNITER COVER		098-3785000
142	PRESSURE POINT SCREW		501-193-000
146	FAN COMB ASSY 1005	90199040	040-439-000
151	ELBOW FLUE 1005	90199056	191-344-000
153	COVER		034-758-000
154	ELBOW COVER STOPPER		512-250-000
156	FLUE LOCKING CLAMP 1004	90177783	512-404-000
157	EXHAUST PIPE STOPPER S ASSY		512-428-000
158	ORING EXHAUST 1004	90199824	520-384-000
159	FLUE ADAPTER 1001 1004	90185935	561-041-000
160	ELEC CORD BKT 516 570 670 559	90177114	538-180-000
161	TUBE D		513-0048000
165	HOSE BAND J		553-071-000
400	FAN CONV TOTAL ASSY 1005	90199048	040-440-000
401	BELL MOUTH		036-077-000
402	CONVECTION FAN MOTOR		222-727-000
403	MOTOR BRACKET		537-1204000

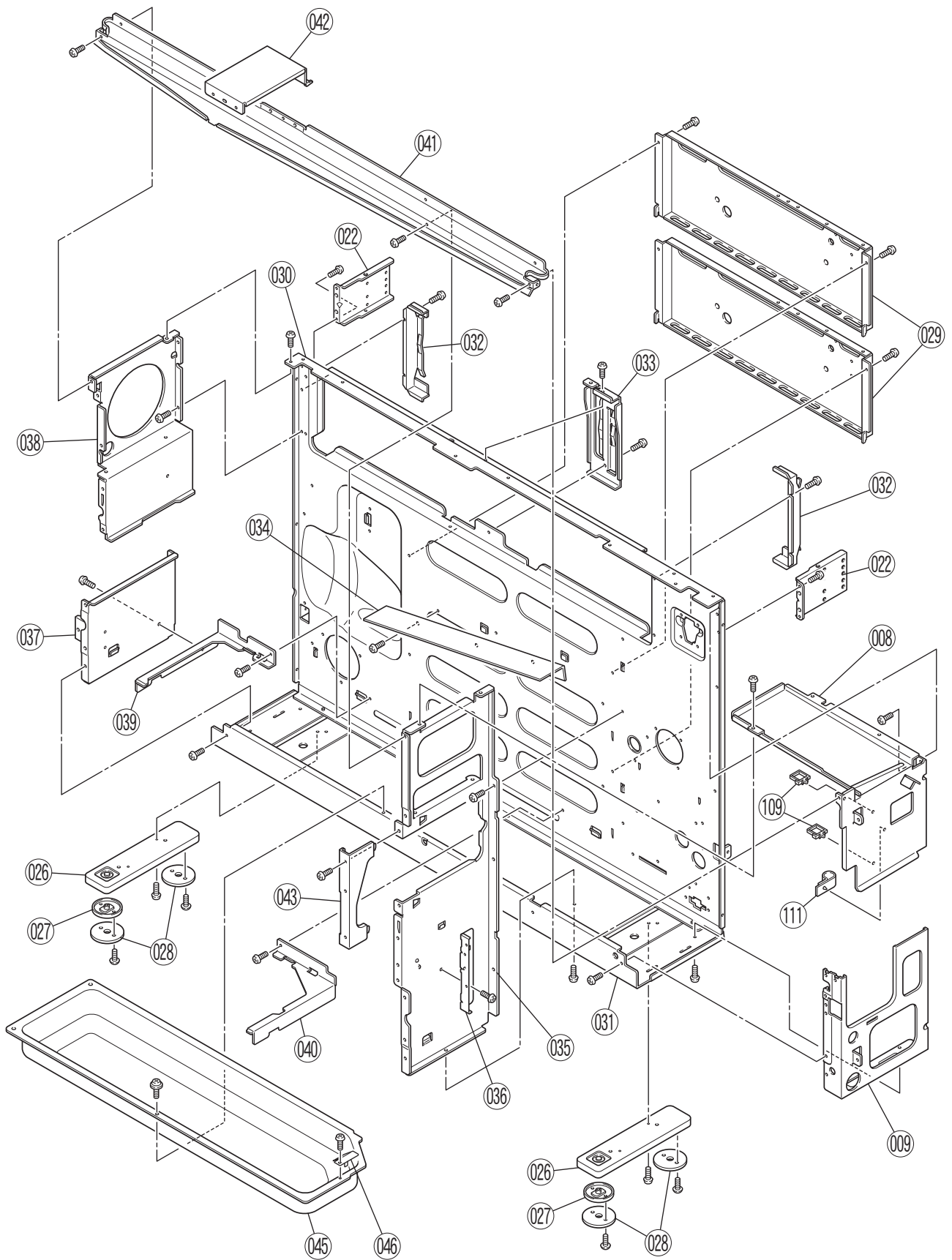
RHFE-1005FDT

NO	PART NAME	RA Item	11 Digit Code
404	DRUM FAN CONV LH 1000/01/04	90132234	040-156-000
405	DRUM FAN CONV RH 1000/01/04	90132242	040-157-000
406	MOTOR BRACKET ACCESSORY PLATE		537-1205000
407	FAN CASING ASSY		098-490-000
408	CUSHION 460 560 1004 30FT 311	90183195	540-051-000
409	HEAT SHIELD BOARD ASSY		030-0359000
410	OHS BRACKET		537-1206000
411	CABLE CLIP		504-024-000
412	CABLE CLIP		504-054-000
700	PCB MAIN 1005	90199094	200-2163000
701	PCB CONTROL 1005 FDT	90199090	200-2165000
702	PCB INDICATOR 1005FDT	90199078	200-2106000
703	ELEC CORD ASSY 1005	90199098	206-337-000
706	LEAD HIGH TENSION 1005	90199072	203-902-000
707	HARNESS THERMAL FUSE 1005	90199110	290-2483000
708	HARNESS SOLENOID 1005	90199096	290-2484000
709	HARNESS IGNITOR 1005	90199074	290-2485000
710	HARNESS THERMAL FUSE 309 559	90196552	290-1990000
711	THERMISTOR 1005	90199100	233-327-000
713	SPARKER IGNITOR 309 509	90196542	211-228-000
716	HARNESS CONV FAN 1005	90199086	290-2616000
717	HARNESS FLAME ROD 1005	90199060	290-2487000
718	HARNESS RPM 1005	90199102	290-2488000
719	HARNESS COMB FAN 1005	90199050	290-2617000
720	TRANS 1005	90199116	224-383-000

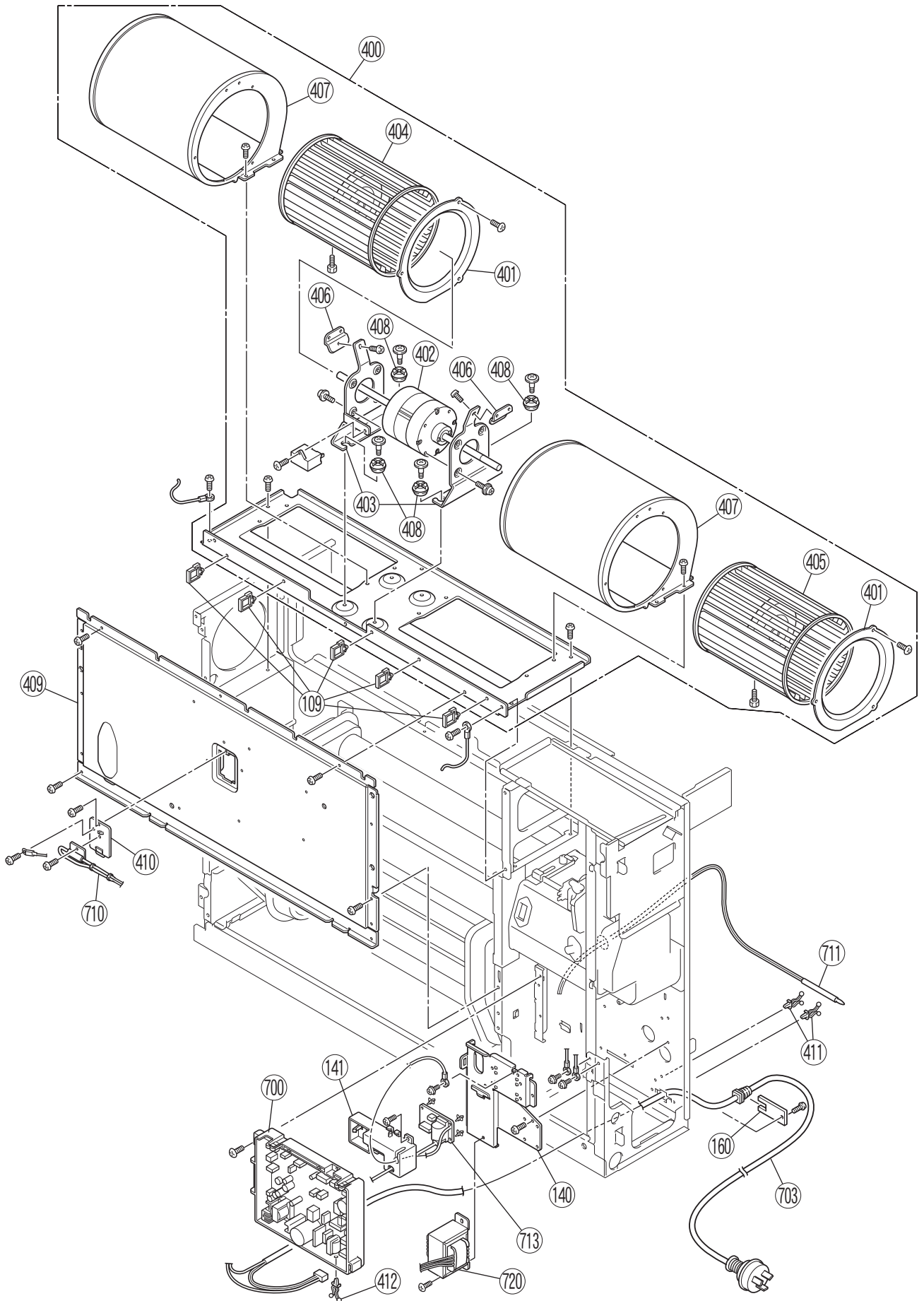
RHFE-1005FDT



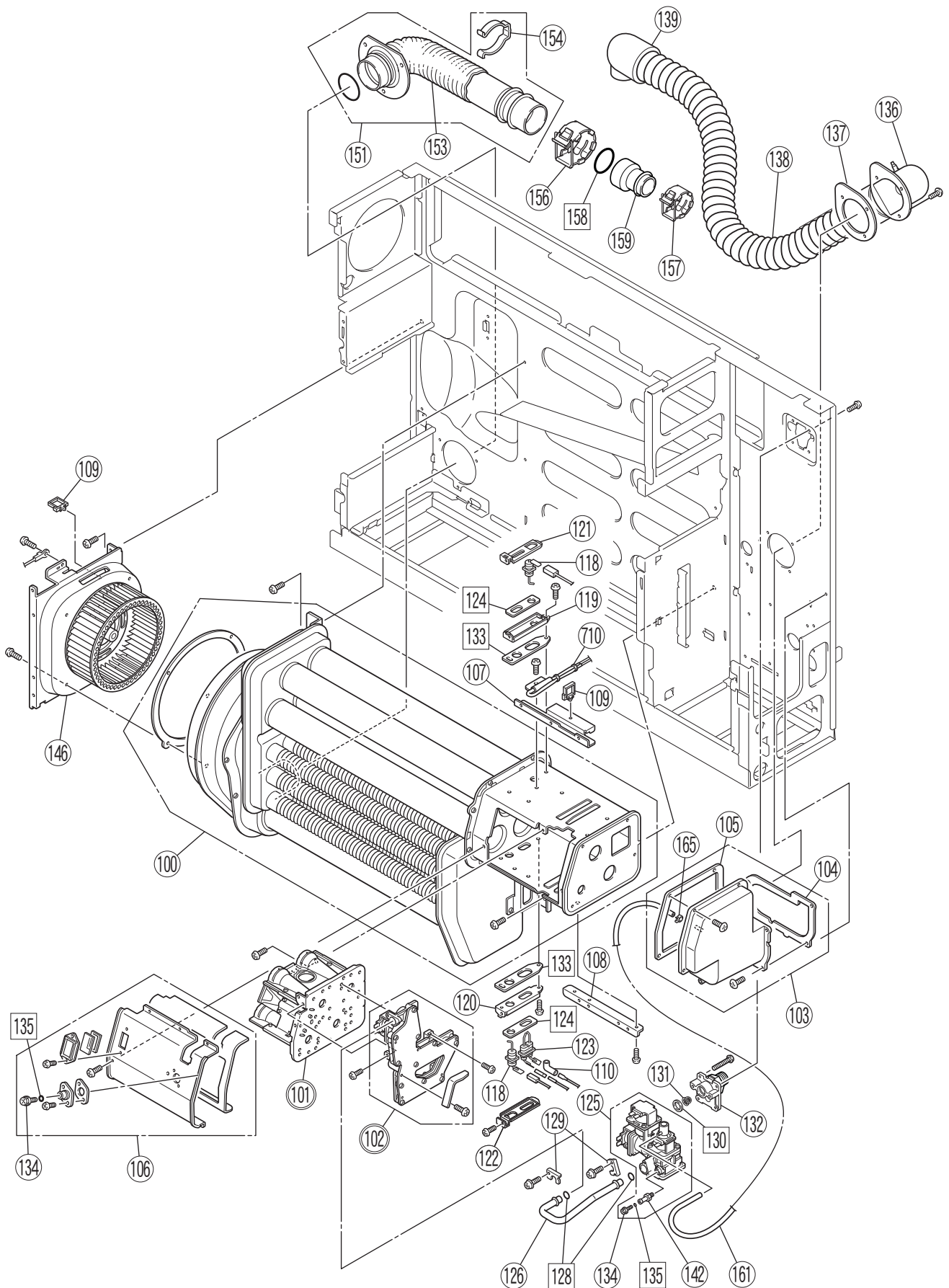
RHFE-1005FDT



RHFE-1005FDT



RHFE-1005FDT



RHFE-1005FDT

