

**REH-311FTB-1S / REH-311FTB-1A / REH-311FTC-1S /  
 REH-311FTC-1A**

				INBUILT - G.SILVER	INBUILT - BEIGE	CONSOLE - G.SILVER	CONSOLE - BEIGE
NO.	PART NAME	RA PART NUMBER	11 DIGIT CODE				
001	Panel Front	90190634	019-3696000	1		1	
001	Panel Front	90191636	019-3697000		1		1
002	Panel Front Inner	90191838	047-965-000	1	1	1	1
003	Louvre Top	90191840	147-045-000	1	1	1	1
004	Panel Air Filter	90194434	017-0091000	1	1	1	1
005	Retainer Glass Outer	90197125	047-966-000	2	2	2	2
006	Bracket Reflector Side	90197117	047-967-000	2	2	2	2
007	Glass Front	90193041	051-107-000	1	1	1	1
008	Seal Glass Front	90194180	580-0471000	2	2	2	2
009	Seal Glass Top	90194281	580-0472000	2	2	2	2
010	Glass Fixed Supporting Flame		047-968-000	4	4	4	4
011	Reflector RH	90196034	038-184-R00	1	1	1	1
012	Reflector LH	90196036	038-184-L00	1	1	1	1
013	Reflector Bottom	90196038	038-185-000	1	1	1	1
014	Reflector Top	90196040	038-186-000	1	1	1	1
015	Panel Mesh	90194040	022-004-000	1	1	1	1
016	Retainer Mesh Top Bottom	90197228	538-0462000	2	2	2	2
017	Retainer Mesh Side	90197230	538-0463000	2	2	2	2
018	Light Shield	90197232	515-309-000	1	1	1	1
019	Panel Kick	90199888	019-3698000	1		1	
019	Panel Kick	90199890	019-3699000		1		1
020	Louvre Bottom	90198009	095-235-000	1	1	1	1
021	Seal V		526-146-000	2	2	2	2
022	Dress Guard	90197762	056-197-000	1	1	1	1
023	Panel Top	90190378	001-0439000	1			
023	Panel Top	90190380	001-0440000		1		
024	Panel Top	90190402	001-0441000			1	
024	Panel Top	90190404	001-0442000				1
025	Panel RH	90190910	003-911-000	1			
025	Panel RH	90190912	003-912-000		1		
026	Panel RH	90190914	003-913-000			1	
026	Panel RH	90190916	003-914-000				1
027	Panel LH	90190918	003-915-000	1			
027	Panel LH	90190920	003-916-000		1		

**REH-311FTB-1S / REH-311FTB-1A / REH-311FTC-1S /  
 REH-311FTC-1A**

				INBUILT - G.SILVER	INBUILT - BEIGE	CONSOLE - G.SILVER	CONSOLE - BEIGE
NO.	PART NAME	RA PART NUMBER	11 DIGIT CODE				
028	Panel LH	90190922	003-917-000			1	
028	Panel LH	90190924	003-918-000				1
029	Panel Control	90199618	098-2085000	1		1	
029	Panel Control	90199620	098-2086000		1		1
032	Control Panel Heat Shield Assy		030-0215000	1	1	1	1
033	Side Plate Support Right		044-163-000	2	2	2	2
034	Side Plate Support Left		044-164-000	2	2	2	2
035	Thermistor Lid	90190493	061-063-000	2		2	
035	Thermistor Lid	90150475	061-059-000		2		2
036	Airtight Panel		525-080-000	1	1	1	1
037	Rear Main Body Assembly		014-451-000	1	1	1	1
038	Main Body Upper Panel		001-0443000	1	1	2	2
039	Convection Guide		515-310-000	1	1	1	1
040	Inside Main Body Upper		001-0444000	1	1	1	1
041	Gasket A		580-809-000	2	2	2	2
042	Cord Cover		098-2087000	1	1	1	1
043	Inside Main Body R A		014-452-000	1	1	1	1
044	Inside Main Body L A		014-453-000	1	1	1	1
045	Combustion Chamber Seal Plate R		525-081-000	1	1	1	1
046	Combustion Chamber Seal Plate L		525-082-000	1	1	1	1
047	Air Guide Plate		515-311-000	1	1	1	1
048	B Main Body Base R		112-078-000	1	1		
049	B Main Body Base L		112-079-000	1	1		
050	C Main Body Base R		112-080-000			1	1
051	C Main Body Base L		112-081-000			1	1
052	Main Body Side Panel C		003-919-000			2	2
053	Main Body Support		538-0464000	2	2		
054	Motor Cover		098-0033000	1	1	1	1
055	Spigot Flue	90175761	055-556-000	1	1	1	1
056	Wall Spacer	90147471	504-018-000			1	1
057	Spacer Top	90190436	550-222-000			1	
057	Spacer Top	90190438	550-223-000				1
058	Spacer Side	90190440	550-224-000			2	
058	Spacer Side	90190442	550-225-000				2

**REH-311FTB-1S / REH-311FTB-1A / REH-311FTC-1S /  
 REH-311FTC-1A**

<b>INBUILT - G.SILVER</b>	<b>INBUILT - BEIGE</b>	<b>CONSOLE - G.SILVER</b>	<b>CONSOLE - BEIGE</b>
---------------------------	------------------------	---------------------------	------------------------

<b>NO.</b>	<b>PART NAME</b>	<b>RA PART NUMBER</b>	<b>11 DIGIT CODE</b>				
100	Radiant	90142282	-----	6	6	6	6
101	Heat Exchanger	90192568	314-436-000	1	1	1	1
102	Heat Exchanger Support		538-0465000	2	2	2	2
103	Cooling Plate		525-083-000	1	1	1	1
104	Rod Holding Radiant	90147091	538-228-000	1	1	1	1
105	Supporting Pole Fixed Plate		537-0678000	1	1	1	1
106	Snap Pin		505-011-000	1	1	1	1
107	Combustion Chamber	90150905	092-059-000	1	1	1	1
108	Packing Glass Panel	90147133	580-655-000	1	1	1	1
109	Clip		504-081-010	8	8	8	8
110	Panel Glass	90147109	051-081-000	1	1	1	1
112	Retainer Inner Rear	90197227	538-0466000	2	2	2	2
113	Retainer Inner Side	90147125	538-084-000	2	2	2	2
114	Burner Box	90149097	527-204-000	1	1	1	1
115	Box Front Panel Assembly		019-0707000	1	1	1	1
116	Gasket D		510-0029000	1	1	1	1
117	Filter Burner	90148982	017-972-000	1	1	1	1
118	Burner Assembly	90148990	150-487-000	1	1	1	1
119	Damper	90199146	140-784-000	1	1	1	1
120	Flame Rod	90150483	230-054-000	1	1	1	1
121	Flame Rod Retainer		538-232-000	1	1	1	1
122	Electrode	90150509	202-087-000	1	1	1	1
123	Electrode Retainer		538-233-000	1	1	1	1
124	Gas Control Bracket		537-0679000	1	1	1	1
125	Injector Main LP	90190238	130-218-160	1	1	1	1
125	Injector Main NG	90190240	130-218-250	1	1	1	1
126	Gas Control LP / NG	94298115	114-494-000	1	1	1	1
127	Inlet Frange		190-194-000	1	1	1	1
128	Pressure Point		501-193-000	2	2	2	2
129	Gasket	90176637	510-519-000	1	1	1	1
130	Filter Gas	90182692	017-287-000	1	1	1	1
131	Inlet Pipe		106-662-000	1	1	1	1
132	Gas Supply Tube Fixed Bracket		037-0036000	2	2	2	2
133	Gas Supply Tube Elbow		191-317-000	1	1	1	1

**REH-311FTB-1S / REH-311FTB-1A / REH-311FTC-1S /  
 REH-311FTC-1A**

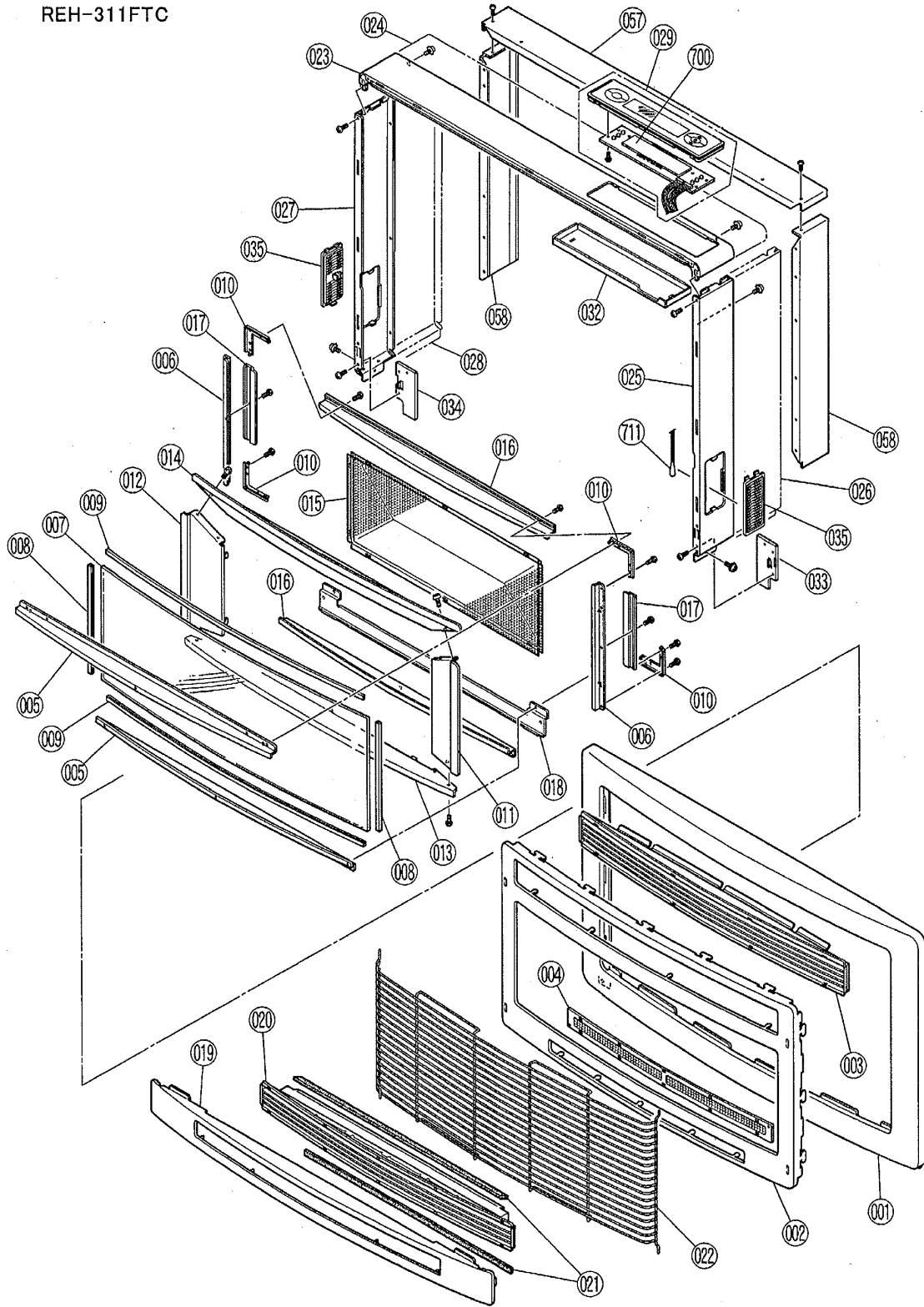
INBUILT - G.SILVER	INBUILT - BEIGE	CONSOLE - G.SILVER	CONSOLE - BEIGE
--------------------	-----------------	--------------------	-----------------

NO.	PART NAME	RA PART NUMBER	11 DIGIT CODE				
134	O-Ring Gas	90195167	520-353-000	5	5	5	5
135	Outlet Elbow		191-318-000	1	1	1	1
136	Outlet Pipe		106-663-000	1	1	1	1
137	Nozzel Holder		537-0680000	1	1	1	1
138	Screw Test Point	92099956	501-275-005	2	2	2	2
139	O-Ring (S4)	90195165	520-300-010	2	2	2	2
140	Gas Supply Tube Bracket		537-0681000	1	1	1	1
141	Inlet Elbow assy	90199622	191-319-000	1	1	1	1
142	Circuit Board Spacer		550-226-000	4	4	4	4
143	Combustion Fan Casing Assy		098-2088000	1	1	1	1
144	Seal Top Fan Comb	90157983	580-008-000	1	1	1	1
145	Fan Comb Assy	90196811	222-605-000	1	1	1	1
146	Seal Bottom Comb Fan	90157991	580-007-000	1	1	1	1
147	Combustion Fan Motor Bracket		537-0682000	1	1	1	1
148	S Tight Screw		501-303-000	4	4	4	4
149	Cushion	90183195	540-051-000	4	4	4	4
150	Fan		040-279-000	1	1	1	1
151	Combustion Fan Motor Bracket		537-0683000	1	1	1	1
152	Combustion Fan		040-280-000	1	1	1	1
153	Pipe Retainer		538-235-000	1	1	1	1
154	Exhaust Exit Pipe		554-177-000	1	1	1	1
155	Convection Fan Assembly	90190640	040-360-000	1	1	1	1
156	Convection Fan Casing Assembly		098-0169000	1	1	1	1
157	Convection Fan - Drum only	90150657	040-267-000	1	1	1	1
158	Housing with L/S Bearing	90141540	067-014-000	1	1	1	1
159	LS Bearing		067-013-000	1	1	1	1
160	Convection Fan Casing Bracket		537-0687000	1	1	1	1
161	L/H Conv. Fan Motor Heat Shield		030-0216000	1	1	1	1
162	Top Plate Support		508-0038000	1	1	1	1
163	Protector		525-084-000	1	1	1	1
164	PCB Heat Shield Plate		030-0217000	1	1	1	1
700	PCB Control	90191255	200-0509000	1	1	1	1
701	PCB Main	90190253	200-0510000	1	1	1	1
702	Igniter	90193060	211-206-000	1	1	1	1

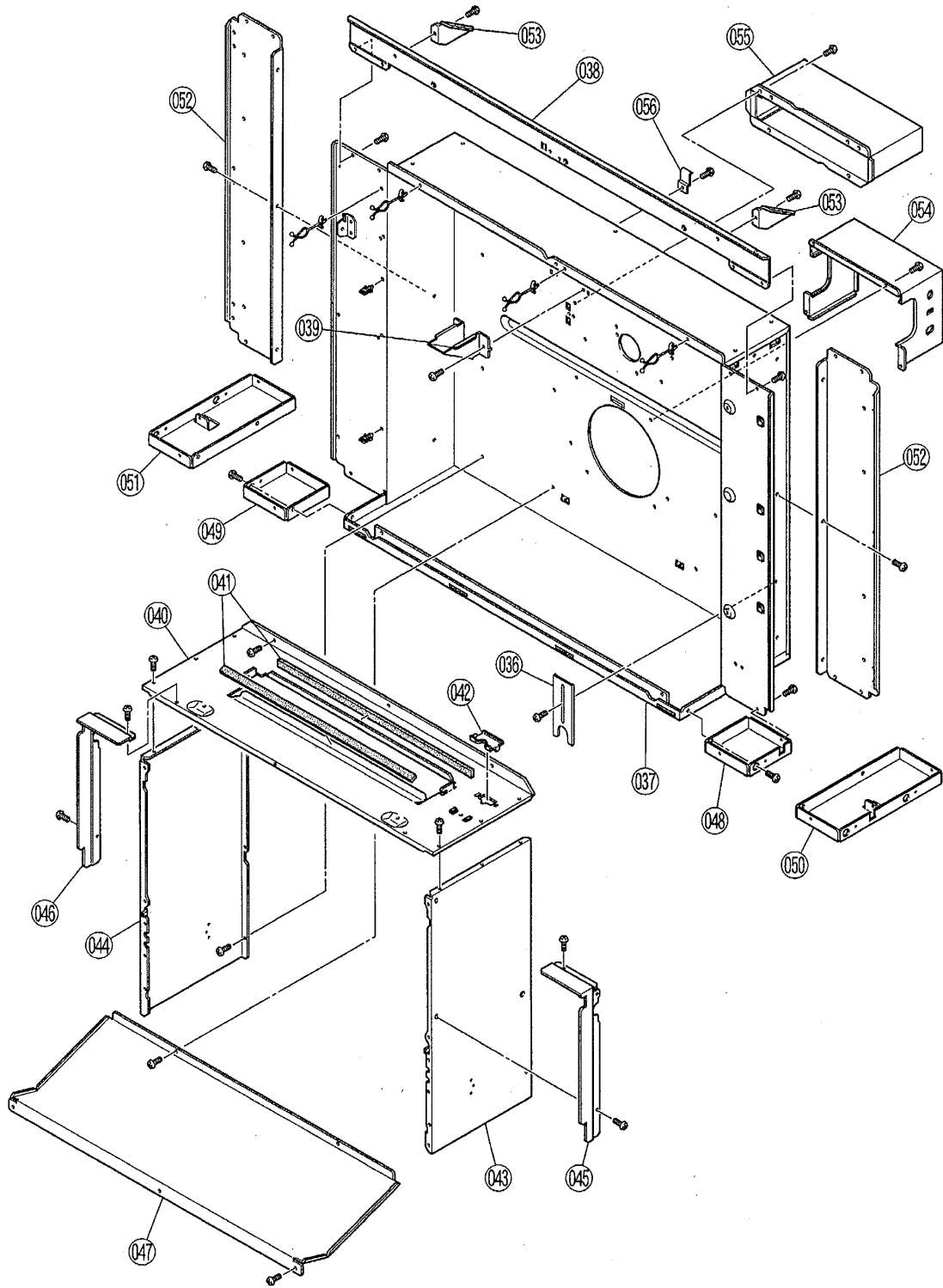
**REH-311FTB-1S / REH-311FTB-1A / REH-311FTC-1S /  
 REH-311FTC-1A**

				INBUILT - G.SILVER	INBUILT - BEIGE	CONSOLE - G.SILVER	CONSOLE - BEIGE
NO.	PART NAME	RA PART NUMBER	11 DIGIT CODE				
703	Combustion Fan Assy	90196811	222-606-000	1	1	1	1
704	Lead Earth		231-031-000	1	1	1	1
705	Convection Fan - Motor only	90190667	222-607-000	1	1	1	1
706	Resistor Ceramic	90197961	237-081-000	1	1	1	1
707	Fan Comb Harness	90190769	290-1475000	1	1	1	1
708	Harness Ignitor	90190773	290-1476000	1	1	1	1
709	Harness Fan Conv	90190771	290-1477000	1	1	1	1
710	Thermal Fuse includes Flame Rod Lead	90190717	290-1478000	1	1	1	1
711	Thermistor Assy	90190495	233-267-000	1	1	1	1
712	Earth Harness		290-1479000	1	1	1	1
713	Lead HT	90198289	203-867-000	1	1	1	1
714	Electrical Cord	90182916	206-180-000	1	1	1	1

REH-311FTB  
REH-311FTC



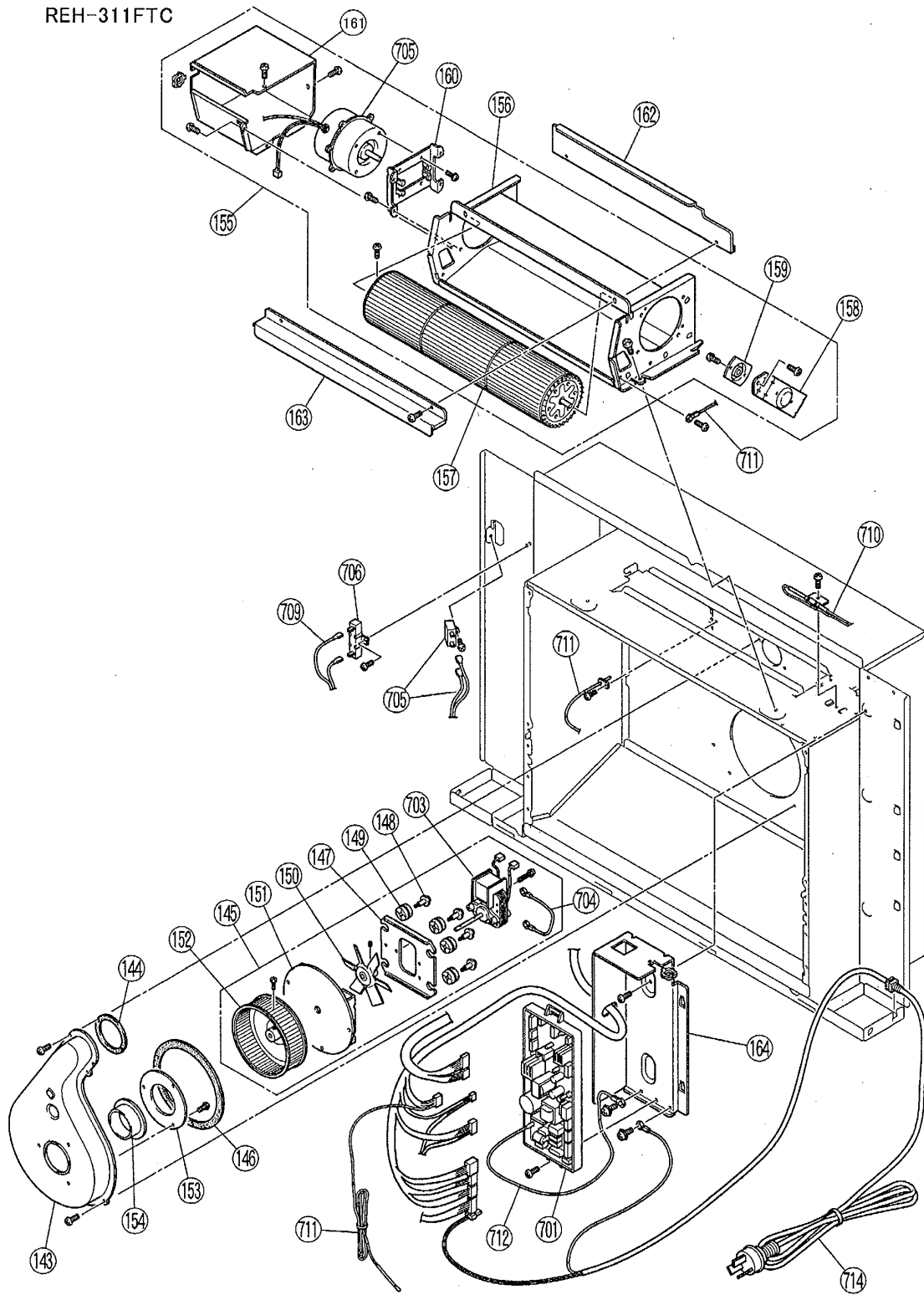
REH-311FTB  
REH-311FTC







REH-311FTB  
REH-311FTC



REH-311FTB  
REH-311FTC

