

# 650 & 750 Gas Fireplaces

# Rinnai

*Relax with Rinnai.*



*Rinnai 750 in a replacement type installation*



HEATING

# Enjoy the enticing glow of a natural ember bed

Tired of the on-going upkeep of owning a wood burning fire? Sourcing, splitting, storing, cleaning—the effort is endless! Not to mention lighting the fire. With the new Rinnai gas fireplace range, you can enjoy the enticing romance of a roaring fire without any of the hassle that goes with it! All at the click of a button. The Rinnai 650 and 750 have been specifically designed to suit existing Australian fireplaces and are packed full of features that you'll love.

## Why Rinnai?

### Unique new ember bed technology

Our goal in developing this new range was to design the most realistic and appealing gas fireplace available. In our quest to do so, we have created a unique new technology that perfectly recreates the warm, enticing glow of a natural ember bed. Look closely and you'll discover an intense radiant, light beneath the logs or stones, providing a deep, warm glow. Using crushed glass, a few halogen lamps and a bit of Rinnai magic, our latest innovation in gas fireplace technology is sure to set a new standard.



### New simple remote control

Rinnai's new simple remote control has been developed to make the operation of your gas fireplace as simple as possible. We've reduced all complexities and gone back to basics with this slimline, minimal design. The remote also includes a room temperature thermostat to ensure you can maintain your perfect temperature! All Rinnai 650 and 750 gas fireplaces include the remote as standard.



### Design

With a resurgence of renovations and a growing desire to keep up with international trends, Australian's are quickly becoming more design conscious than ever. The Rinnai 650 & 750 have been designed to suit the emerging trends that Australians love. Featuring a wide, viewing window and a minimalist frame, the Rinnai range is all about the flame and simple, elegant design.





### Flexibility

The Rinnai 650 and 750 offer a range of flexible design options to complement your home interior and décor. With glowing stones, natural wood logs and a range of colour frames, you can totally customize the design to suit your personal style. Also, the products are designed to suit a range of installation types. Whether it is a complete new build, renovation or replacement, the new range is versatile to suit all applications.



### Efficiency

At Rinnai, we are constantly pushing the boundaries to ensure we develop products that are energy efficient and kind to our environment. With a global focus on energy consumption and efficiency, it's now more important than ever to reduce our environmental footprint. The new range of products are no exception, featuring at least 80% efficiency.



### Heat

In the peak of winter, after a long, cold day, there's nothing better than settling down next to a roaring fire with a glass of wine. The Rinnai 650 and 750 both provide powerful heat output, ideal for living areas. Featuring Rinnai's high performance heat exchanger technology, the quiet fan and rapid warm-up time help to create a comfortable environment on those cold winter nights.



## Design Options

### Choose your size

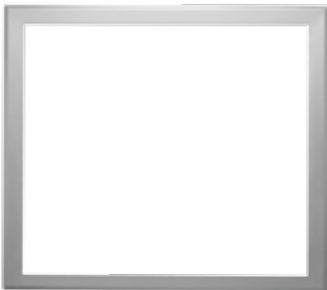


Rinnai 650



Rinnai 750

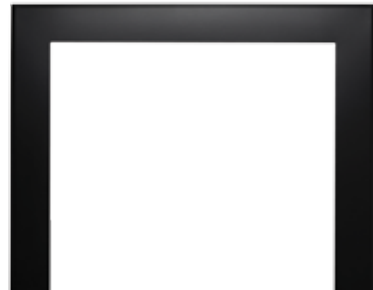
### Select a frame - available in either 3 sided or 4 sided



Titanium Grey



Matte Black



Matte Black XL\*

### Pick your media



Natural wood log set

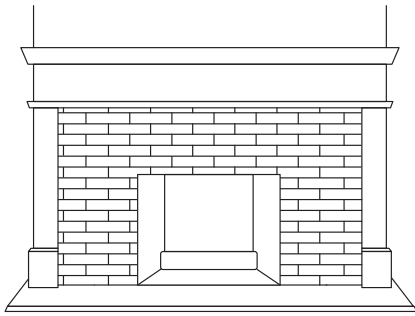


Glowing stones

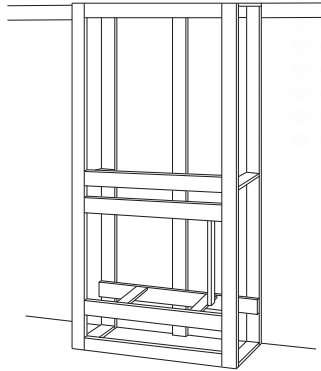
\*3 sided only

## Installation Options

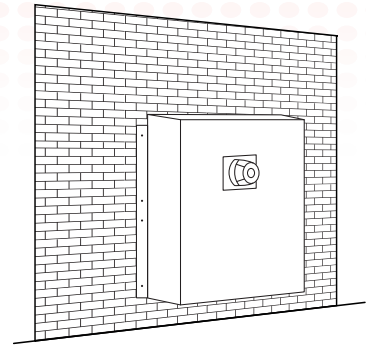
### Choose your installation type



Brick chimney—replacement

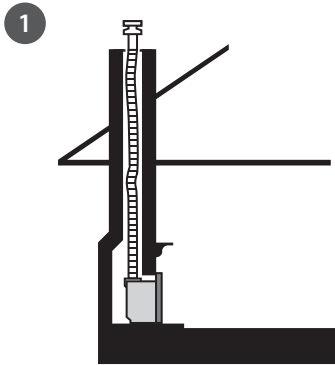


False fireplace—  
renovation or new home

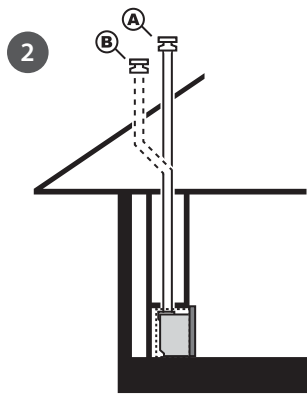


Weatherproof box—  
renovation or new home

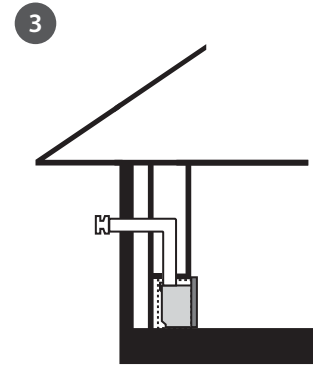
### Select your flue configuration



Flexi flue



Vertical



Direct Flue Kit Installation

# Specifications

	Visual Dimensions (mm) - four sided frame			Efficiency Star Rating	Gas Input	Heat Output	'Heats up to' Capacity (m <sup>2</sup> )			
	Height	Width	Depth	AS4553	High/Low (mj)	kW	Very Cold	Cold	Cool	Mild
650	654	640	5	3.7	14/23	5	46	55	74	85
750	654	740	5	3.7	14/27	6	54	65	87	99

Warranty	Heat Exchanger	Fan	All other parts	Free labour
Domestic Use	10 years pro rata (1)	2 years	1 year	1 year
Commercial Use	1 year on all parts and labour			

**Please note:** For full definitions of Domestic and Commercial use, along with other conditions and exclusions, please refer to [www.rinnai.com.au](http://www.rinnai.com.au) (1) Full replacement cost in the 1st year, reducing 10% per year thereafter. 240V power is required on all models. A power cord and plug is fitted. If hardwiring is required, consult a licensed electrician. #Dimensions are subject to production tolerances and may vary slightly from those given. Rinnai Australia Pty Ltd reserves the right to make modifications and change specifications without notice.

Refer to our online heater selector to find the right heater to suit your needs.

## Dealer Details:

**Rinnai**  
Relax with Rinnai.

**Rinnai Australia Pty Ltd** ABN 74 005 138 769  
100 Atlantic Drive, Keysborough, Victoria 3173  
For further information visit [www.rinnai.com.au](http://www.rinnai.com.au) or call 1300 555 545