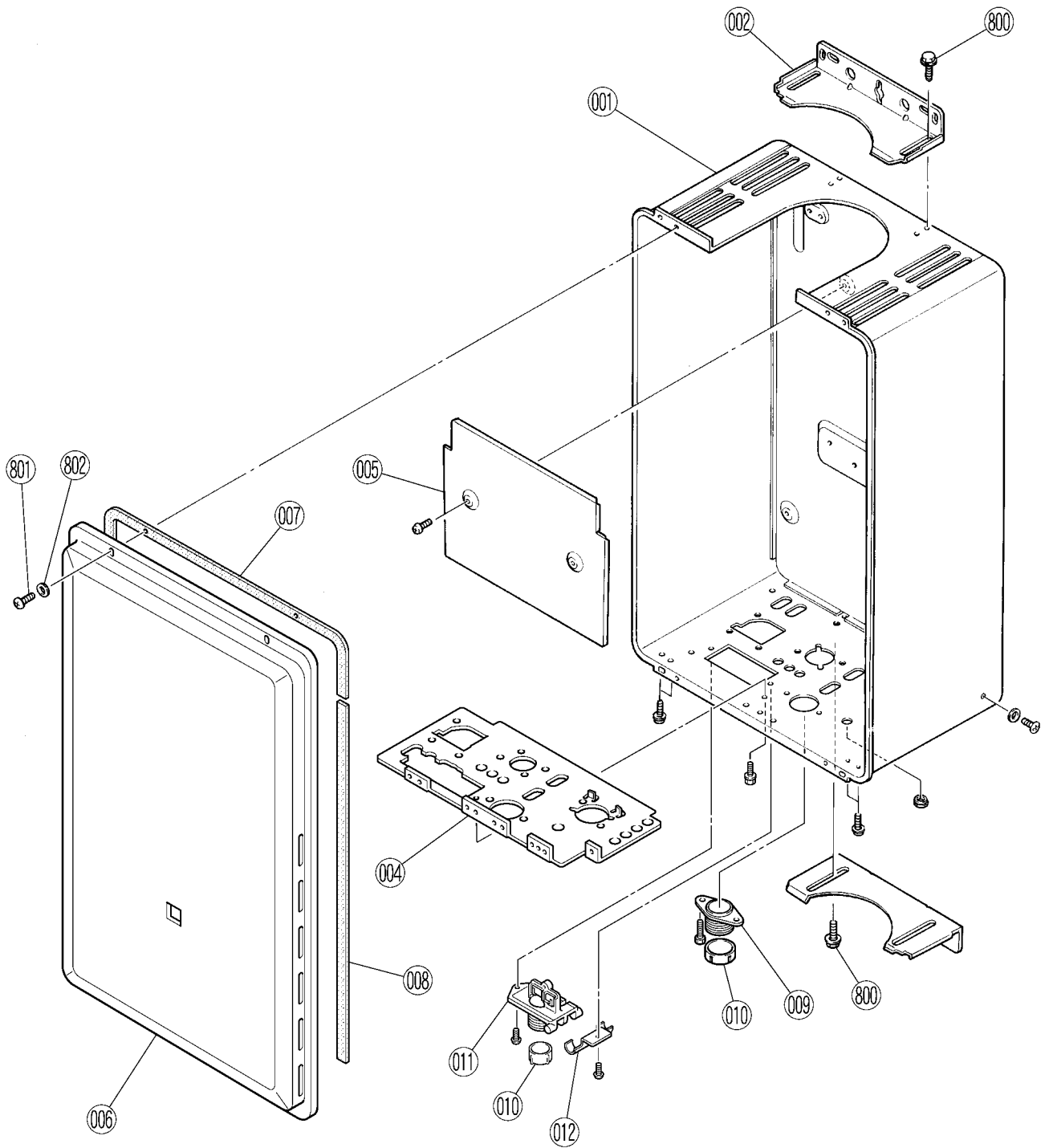


REU-VRM2632FFUG /REU-VRM2632FFUG-50					
NO	DESCRIPTION	RA PART NO.	11 DIGIT CODE	REUVRM2632FFUG	REUVRM2632FFUC
1	OUTER CASE EURO WHITE	92099896	014-478-000	1	
2	WALL FITTING BRACKET-2 EURO WHITE		106-577-000	2	
4	CONNECTION REINFORCEMENT PANEL		044-140-000	1	1
5	HEAT PROTECTION PLATE		030-915-000	1	1
6	PANEL FRONT EURO WHITE	92095068	019-4895000	1	
6	PANEL FRONT TITAN WHITE 50°C	92099902	019-4023000		1
7	SEAL PANEL FRONT TOP	92086909	580-453-000	1	1
8	MAIN BODY PACKING SIDE	92063361	510-990-000	2	2
9	INF20 CABLE ENTRY (NEW)	92073352	106-104-000	1	1
10	SEAL HARNESS EASY CONN	92099984	580-0105000	2	2
11	HARNESS EASY CONN	92099986	106-641-000	1	1
12	CONNECTION SUPPORT CLIP		538-840-000	1	1
100	GAS CONTROL	92086736	120-0016000	1	1
101	SCREW TEST POINT	92099956	501-275-005	3	3
102	INLET GAS 3/4	92081587	106-290-000	1	1
103	BURNER ASSY LP	92092212	000-059-000	1	1
103	BURNER ASSY NG	92099904	000-155-000	1	1
104	U BURNER CASE FRONT PANEL		098-902-000	1	1
105	24 BURNER CASE BOTTOM PANEL		005-137-000	1	1
106	PACKING		580-440-000	1	1
107	LEAN AND RICH BUNSEN BURNER ASSEMBLY		157-090-000	16	16
108	U BURNER CASE FRONT PANEL		098-904-000	1	1
109	DAMPER LP	92099906	140-597-000	1	1
109	DAMPER NG	92099908	140-736-E00	1	1
110	MANIFOLD LP	92094318	101-705-000	1	1
110	MANIFOLD NG	92094319	101-706-000	1	1
111	COMBUSTION CHAMBER PACKING		580-547-000	1	1
112	24 COMBUSTION CHAMBER PACKING LOWER		580-569-000	1	1
114	COMBUSTION CHAMBER FRONT PANEL		019-1337000	1	1
116	ELECTRODE	92086974	202-156-000	1	1
117	ELECTRODE FR	92093914	0U711467800	1	1
118	PACKING ELECTRODE	92087015	580-0390000	1	1
119	ELECTRODE HOLDER RH	92087006	580-505-000	1	1
120	COMBUSTION CHAMBER PACKING UPPER		580-998-000	1	1
121	BACK PRESSURE JOINT		197-951-000	1	1
122	TUBE PRESSURE	92071570	513-208-000	1	1
125	FAN COMB ASSY	92099914	222-609-000	1	1
126	FAN CASING ALL ASSEMBLY		098-2181000	1	1
127	CONNECTING COMB FAN	92098870	106-320-000	1	1
128	PACKING FAN CONECTING	92098888	580-338-000	1	1
129	FAN MOTOR ASSEMBLY		040-363-000	1	1
131	JOINT FIXING PIPE		055-740-000	1	1
132	COMBUSTION CHAMBER BRACKET		538-512-000	1	1
135	AIR INLET DUCT ASSEMBLY		527-266-000	1	1
136	JOINT BRACKET		538-513-000	1	1
137	CONNECTING JOINT		197-960-000	1	1
138	JOINT FIXING BRACKET		538-590-000	1	1
139	AIR INLET DUCT ASSEMBLY		055-964-000	1	1
140	JOINT EXHAUST TUBE FRAME		047-719-000	1	1
141	JOINT EXHAUST TUBE FRAME SUPPORTER		538-514-000	2	2

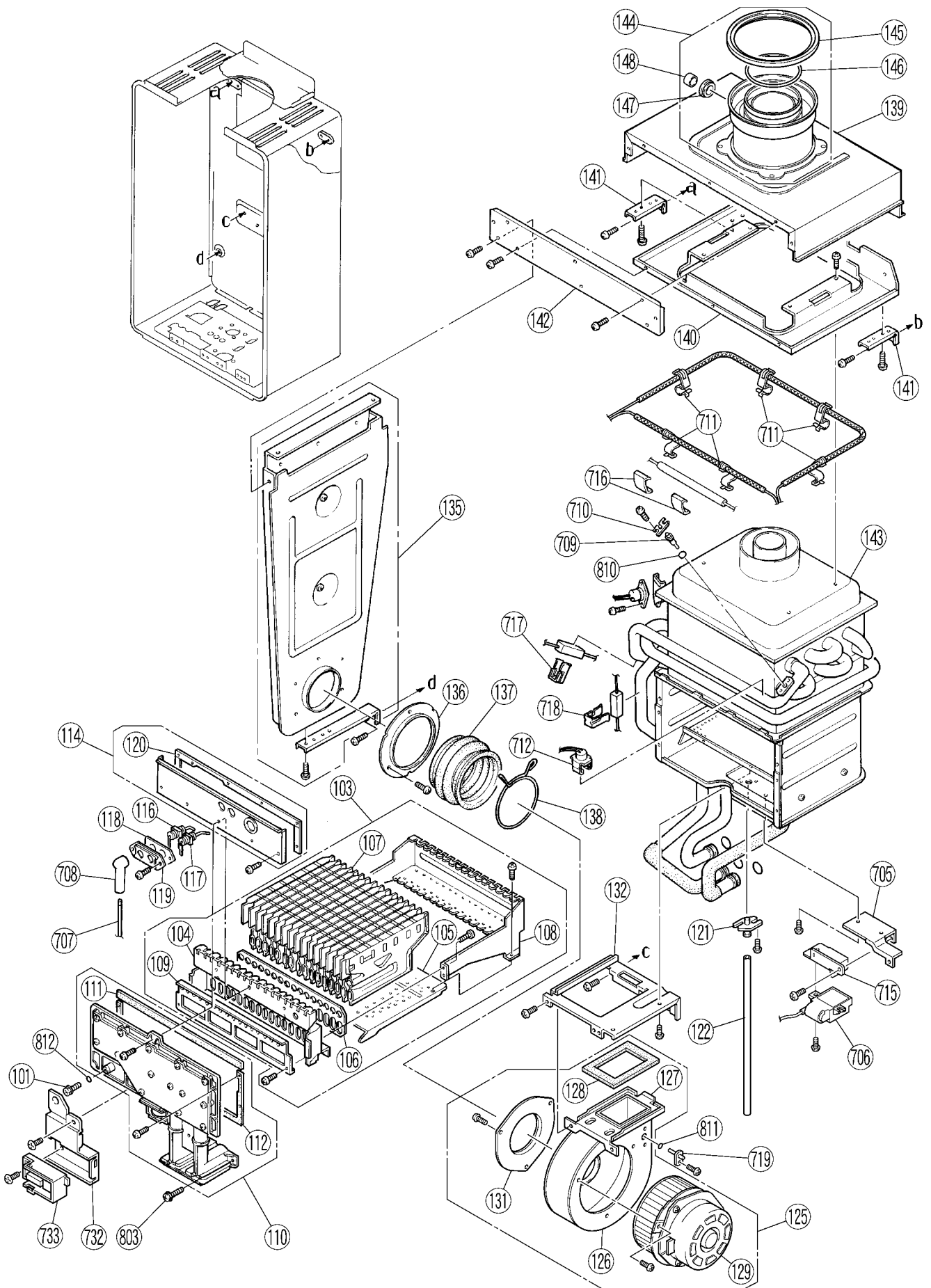
NO	DESCRIPTION	RA PART NO.	11 DIGIT CODE	REUVRM2632FFUG	REUVRM2632FFUC
142	AIR INLET BOX COVER		035-0413000	1	1
143	HEAT EXCHANGER ASSEMBLY	92092106	314-731-000	1	1
144	SPIGOT FLUE FEMALE	92099995	055-965-000	1	1
144	SPIGOT FLUE MALE	92099993	055-985-000	1	1
145	SEAL RING		552-155-000	1	1
146	O-RING		580-0491000	1	1
147	PIPE SEAL		526-331-000	1	1
148	CAP		035-1526000	1	1
400	INLET WATER 3/4	92099968	333-301-NPB	1	1
401	WATER FLOW SENSOR W/O HEATER	92092114	301-156-000	1	1
402	RECTIFIER WATER	92093552	330-107-000	1	1
403	BYPASS SERVO ASSY	92092122	301-158-000	1	1
404	STOP BRACKET		512-401-000	2	2
405	PLUG BAND		553-119-000	1	1
406	FILTER WATER LARGE	92083773	196-062-000	1	1
408	OUTLET WATER 3/4	92093806	333-386-000	1	1
409	STOP BRACKET		538-515-000	1	1
410	PLUG BAND		553-043-000	1	1
411	VALVE PRESS RELIEF	92081751	337-048-000	1	1
412	WATER FLOW SERVO COVER		098-1445000	1	1
700	PCB MAIN	92095057	210-0268000	1	1
700	PCB MAIN		210-0270000		1
701	SURGE ARRESTOR	92093699	210-605-000	1	1
702	ELECTRIC UNIT COVER		098-1868000	1	1
703	EC COVER		098-1869000	1	1
704	THERMISTOR	92095030	233-246-000	1	1
705	ELECTRIC UNIT FIXING PLATE		537-0060000	1	1
706	SPARKER	92095026	261-157-000	1	1
707	LEAD HT	92099920	203-869-000	1	1
708	SLEEVE ELECTRODE	92087030	518-035-000	1	1
709	THERMISTOR 2	92095031	233-247-000	1	1
710	BRKT THERMISTOR	92086388	508-836-000	1	1
711	TEMPERATURE FUSE FIXING PLATE		537-505-000	5	5
712	SWITCH FROST SENSOR	*	234-540-000		
713	HEATER A-FROST	*	235-368-000		
714	HEATER WATER FLOW	*	235-369-000		
715	IGNITOR BRACKET		537-0822000	1	1
716	BRKT HEATER	*	538-493-000		
717	BRKT HEATER A	92096123	537-155-000		
718	BRKT HEATER B	92096225	537-0440000		
719	THERMISTOR FAN	92099991	233-261-000	1	1
720	ELEC CORD	92089051	206-226-000	1	1
721	HARNESS FUSE	92094003	290-1299000	1	1
723	HARNESS RELAY	92099985	290-1301000	1	1
724	SENSOR HARNESS	92099924	290-1707000	1	1
725	FUSE THERMAL	92092189	232-191-000	1	1
726	SENSOR MR	92099988	243-133-000	1	1
727	HARNESS SPARKER	92099989	290-1303000	1	1
729	HARNESS REMOTE CONTROL	92099961	290-1288000	1	1
730	HARNESS POWER	92099990	290-1304000	1	1
731	HARNESS RELAY	92095033	290-1289000	1	1
732	STATUS MONITOR BRACKET		537-0823000	1	1

NO	DESCRIPTION	RA PART NO.	11 DIGIT CODE	REUVRM2632FFUG	REUVRM2632FFUC
733	RELAY	92095032	210-810-000	1	1
800	HXAGON FT BOLT		501-577-000	8	8
801	SCREW		501-973-010	3	3
801	SCREW		501-889-000	1	1
802	RESIN WASHER		503-022-010	3	3
803	SCREW		501-0064000	3	3
804	THERMISTOR STOP SCREW		501-295-000	1	1
805	SCREW		501-262-000	3	3
810	O RING THERMISTOR	92062249	520-209-010	2	2
811	O RING R/VALVE/THERM	92071448	520-046-010	1	1
812	O-RING	90195165	520-300-010	3	3
813	O RING IN/OUT WATER	92071182	520-049-010	2	2
814	O RING HEAT EXCH	92062199	520-048-010	2	2
815	O RING HEAT EXCH	92062207	520-193-010	2	2
816	O RING	92062348	520-281-010	1	1
817	O RING GAS CON	92072859	520-043-010	1	1
818	O RING GAS CONTROL	92096502	580-180-000	2	2
888	OPERATION MANUAL		623-753-200	1	1
889	ESTABLISHMENT MANUAL		K23-749-400	1	1
*	ANTI FROST KIT	92099237			

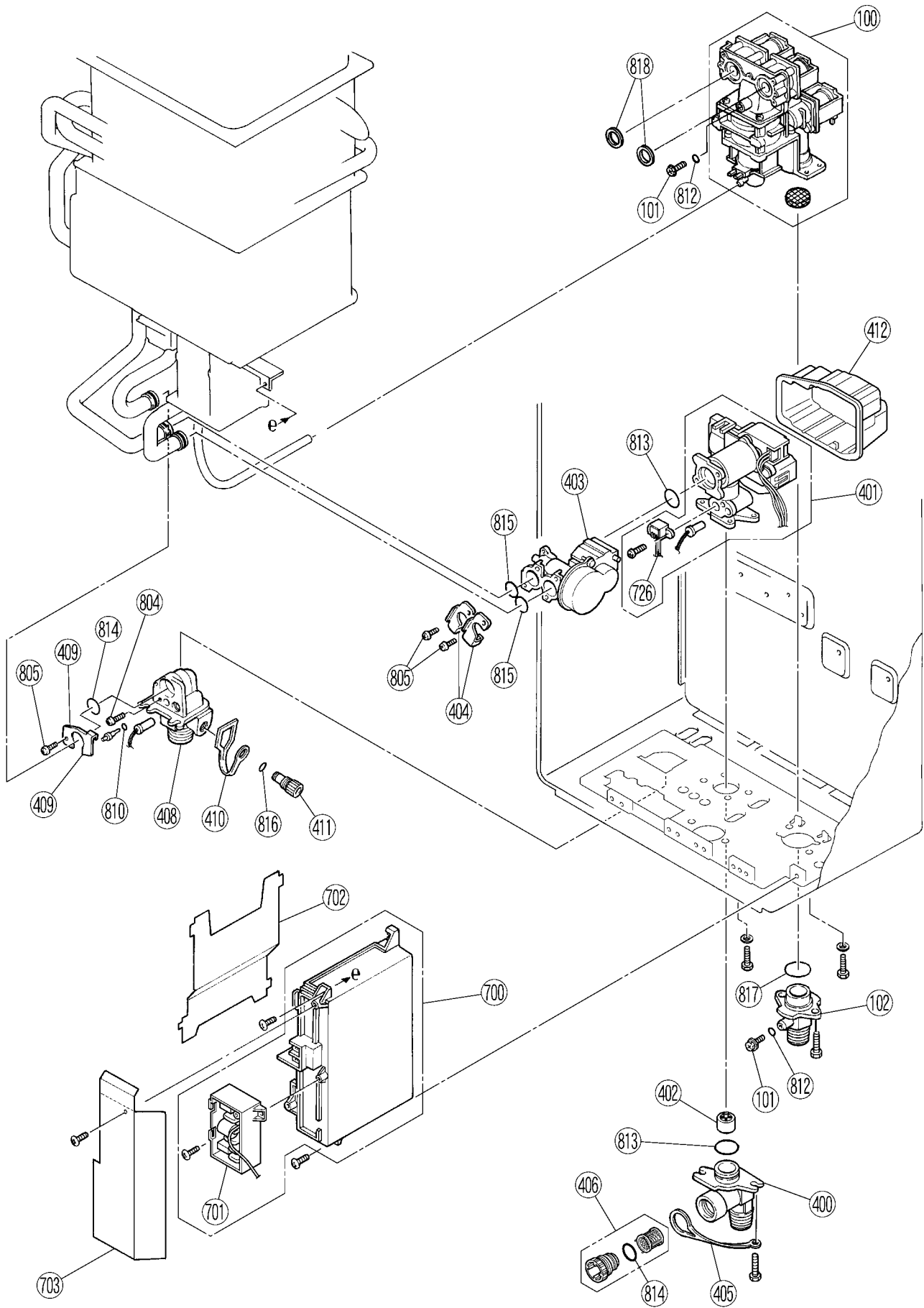
REU-VR2632FFUG



REU-VR2632FFUG



REU-VR2632FFUG



REU-VR2632FFUG

