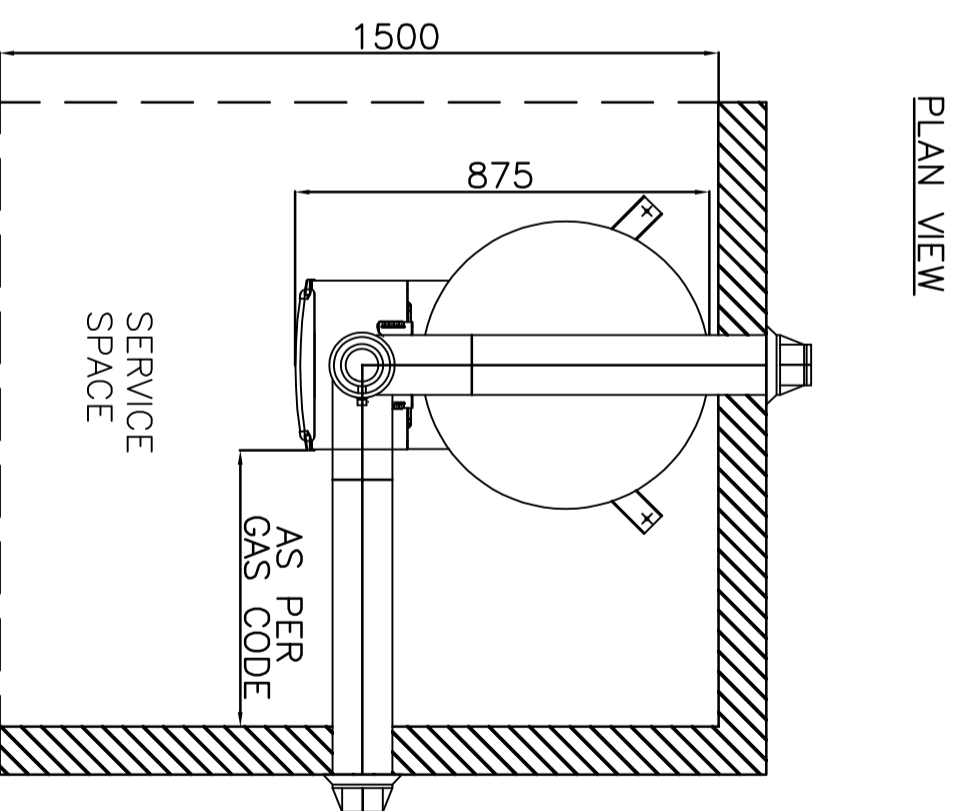
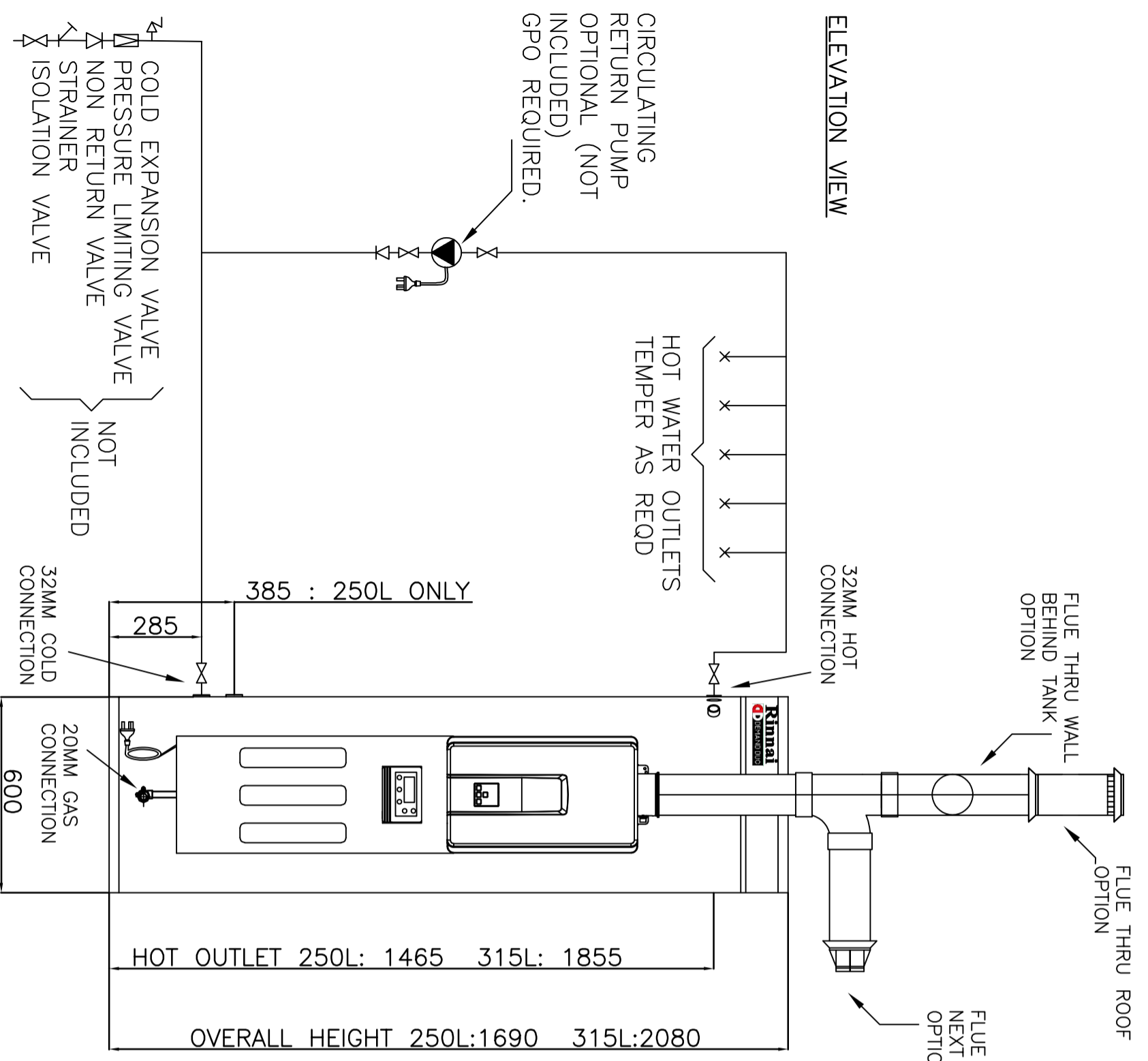


DRAWING CHANGES					
REV	EON NO	DESCRIPTION	BY	CKD	DATE



Specifications	
Dry Weight - 250L	80kg
Dry Weight - 315L	92kg
Wet Weight - 250L	330kg
Wet Weight - 315L	407kg
Heater	HD28 Internal
Gas load NG	1.13 - 2.75 kpa
Gas load LPG	2.75 kpa
Factory Preset (°)	65°C
Primary Pump	1 x Grundfos UPS2060N
Power Supply	1 x External GPO
Tank Connections	32mm
PTR Valve Rated	1 x 850kpa
Fan Assisted Balanced Flue	
(°) Various temps & functions via controller	

MATERIAL	TOLERANCE - UNLESS STATED	
	0. ±1.0	0.00 ±0.1
	0.0 ±0.5	Angular ±1°
FINISH:	DO NOT SCALE DRAWING	
DRAWN	RMP	DATE 18/10/21
CHECKED	SVL	APPROVED

Rinnai Australia Pty Ltd

DD1281315N DEMAND DUO

Drawing Number(PART NO) SK 0269

Revision 01