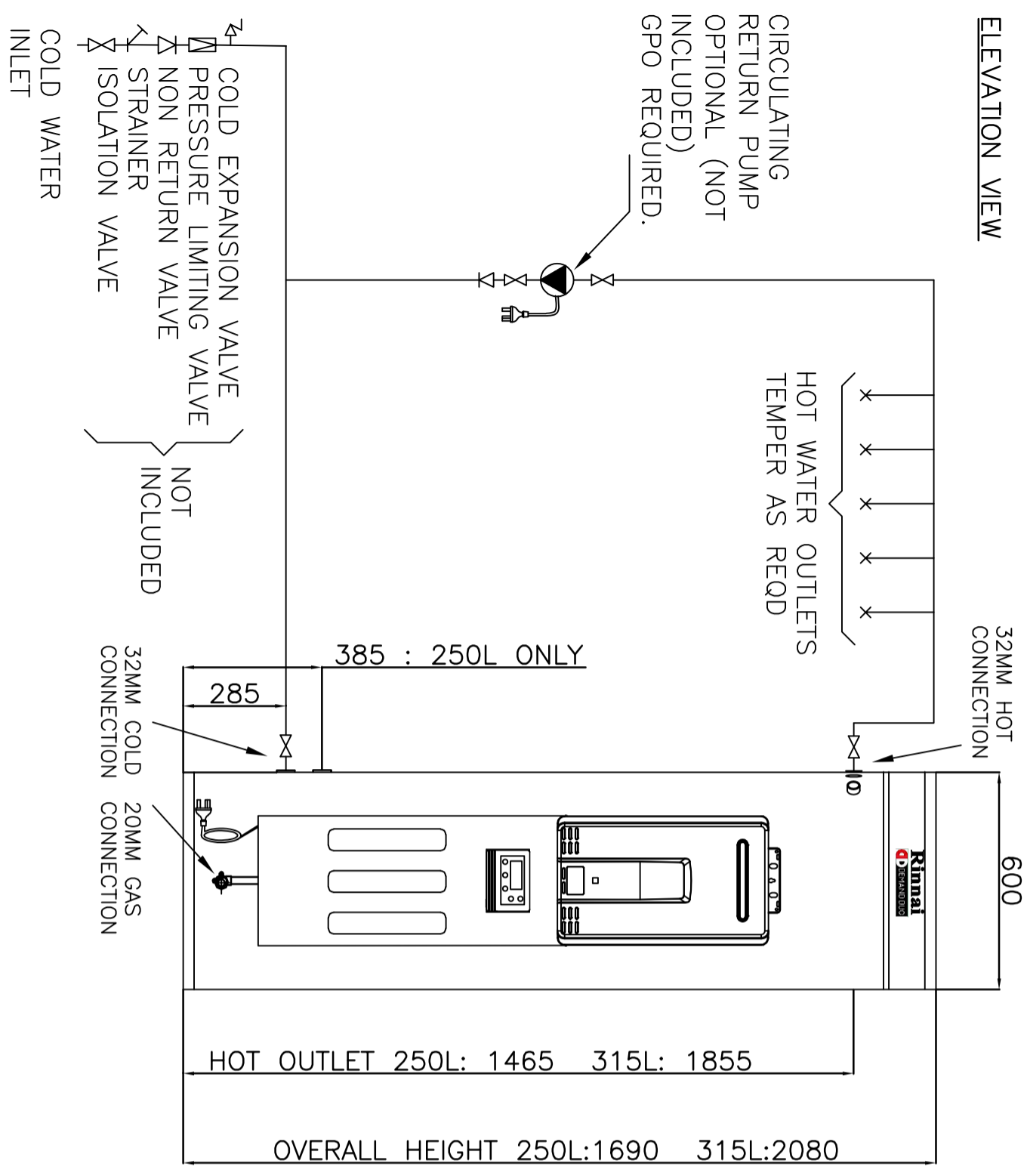
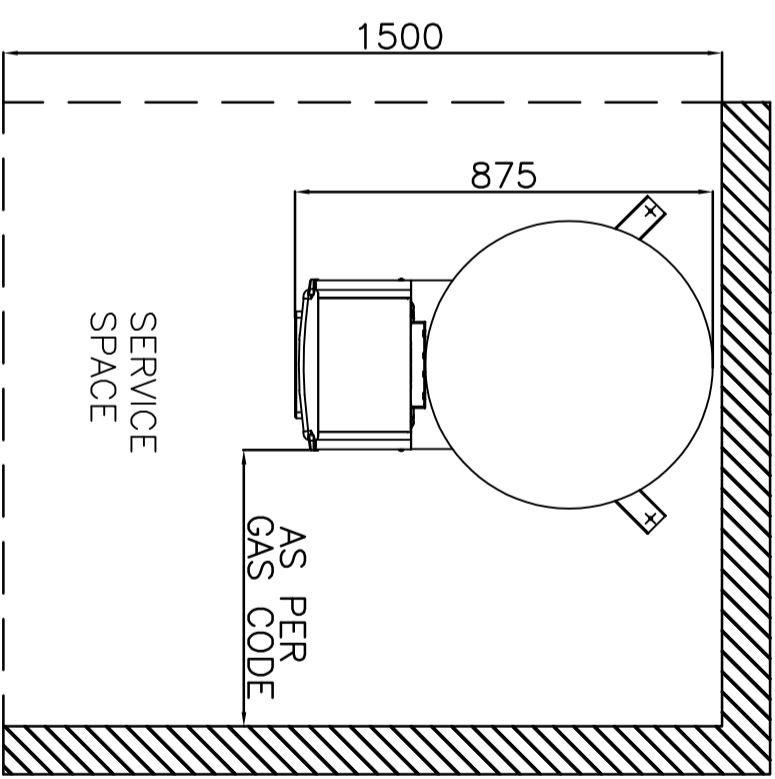


DRAWING CHANGES					
REV	EON NO	DESCRIPTION	BY	CKD	DATE

ELEVATION VIEW



PLAN VIEW



Specifications	
Dry Weight – 250L	80kg
Dry Weight – 315L	92kg
Wet Weight – 250L	330kg
Wet Weight – 315L	407kg
Heater	HD28 External
Gas load NG	1.13 – 2.75 kpa
Gas load LPG	2.75 kpa
Factory Preset (w)	65°C
Primary Pump	1 x Grundfos UPS2060N
Power Supply	1 x External GPO
Tank Connections	32mm
PTR Valve Rated	1 x 850kpa

(w) Various temps & functions via controller

MATERIAL	TOLERANCE – UNLESS STATED	
	0. ±1.0	0.00 ±0.1
	0.0 ±0.5	Angular ±1°
FINISH:	DO NOT SCALE DRAWING	
DRAWN	RMP	DATE
		7/09/21
CHECKED	SVL	APPROVED

Rinnai Australia Pty Ltd

Title: **DD128E315N DEMAND DUO**

Weight: **SK 0264**

Drawing Number(PART NO): **SK 0264**

Revision: **01**