

Now Available

Rinnai Flowmaster Electric Storage Hot Water Systems

Introducing the new Rinnai Flowmaster range of Electric Storage Hot Water Systems.

Our quality range of Electric Storage Hot Water Systems are available in various capacities, ranging from a compact 25L, through to a large family size 400L storage cylinder. We offer a complete range of element sizes, and capacities that have been designed to suit the changing water usage patterns of Australian families.

Benefits at a glance:

- Full range of capacities to suit all requirements from 25L to 400L
- Dual handed port placement - makes for easy installation
- Suitable for internal and external installation*
- Standard sizing perfect for emergency changeover getting you back up and running fast
- Rinnai quality and durability
- 7 year warranty

www.rinnai.com.au

* 25 and 50 Litre models are suitable for internal installation only



Rinnai

Relax. It's a Rinnai.

Specifications ⁽¹⁾

Model	RIN25	RIN50	RIN80	RIN125	RIN160	RIN250	RIN315	RIN400
Tank Capacity (L)	33	55	90	128	164	259	324	416
Hot Water Delivery (L)	25	50	80	125	160	250	315	400
Weight Empty (Kg)	20	27	40	48	59	88	103	114
Relief UV Pressure	1000	1000	1000	1000	1000	850	850	850

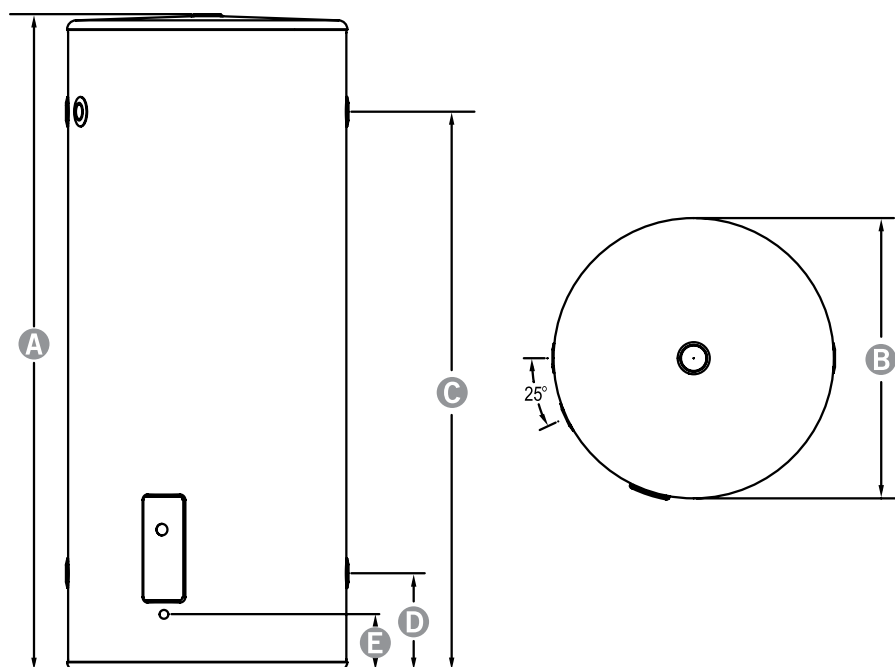
Dimensions ⁽²⁾

Model		RIN25	RIN50	RIN80	RIN125	RIN160	RIN250	RIN315	RIN400
Total Height	A	452	694	925	1090	1345	1444	1765	1704
Total Width	B	415	415	490	532	532	617	617	705
Outlet Height	C	297	524	734	866	1121	1211	1531	1445
Inlet Height	D	153	158	158	188	188	195	195	219
Electrical Entry	E	80	80	85	98	98	105	105	129

Available Elements

Size	Element (kW)	
	2.4	3.6
25	Yes*	–
50	Yes*	Yes
80	Yes	Yes
125	Yes	Yes
160	Yes	Yes
250	–	Yes
315	–	Yes
400	–	Yes

*With Plug



Warranty ⁽³⁾

Flowmaster Electric	Tank Size							
	25 Litres	50 Litres	80 Litres	125 Litres	160 Litres	250 Litres	315 Litres	400 Litres
Parts & Labour	1 year	1 year	1 year	1 year	1 year	1 year	1 year	1 year
Tank	7 years	7 years	7 years	7 years	7 years	7 years	7 years	7 years

Please note: (1) Rinnai Australia reserves the right to make modifications and change specifications without notice. However, we will endeavour to communicate major changes well before implementation. (2) Dimensions are subject to production tolerances and may vary slightly from those given. (3) For full definitions of Domestic and Commercial use along with the full warranty conditions and exclusions, please refer to the owners manual.

RINNAI AUSTRALIA PTY. LTD

ABN 74 005 138 769

10-11 Walker Street Braeside VIC 3195

For further information visit

www.rinnai.com.au or call 1300 555 545

Rinnai
Relax. It's a Rinnai.